

E2S PART NO.
D1xC4[J1][XX][XXX]

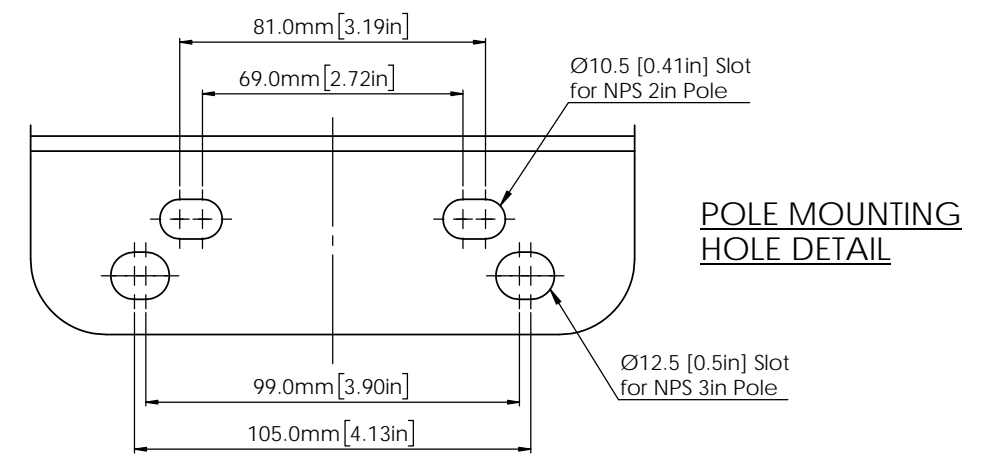
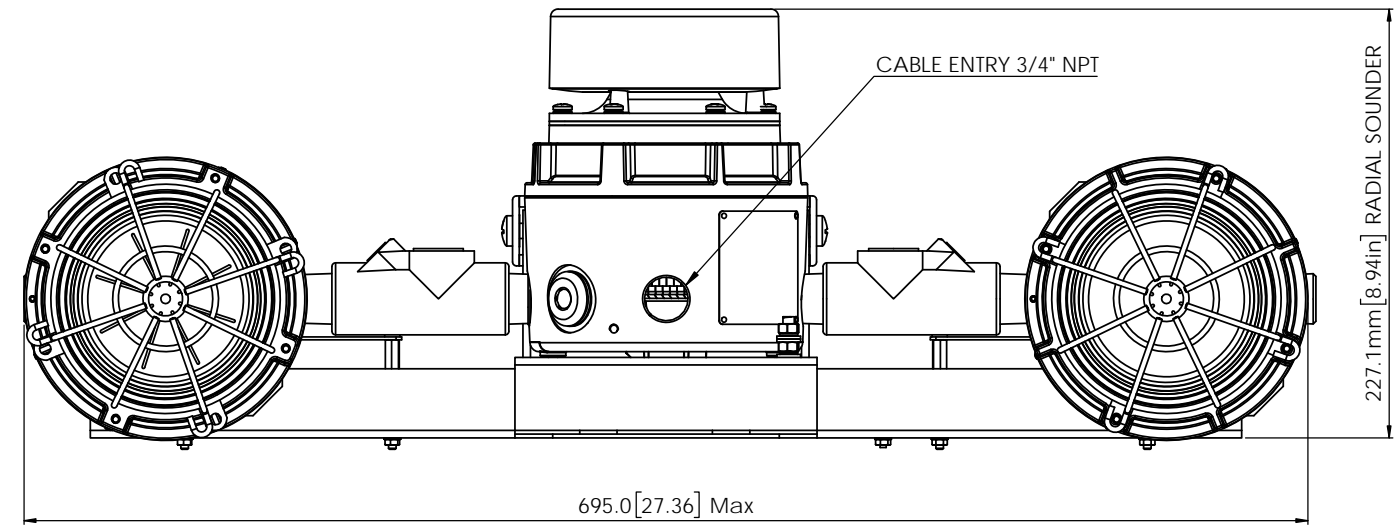
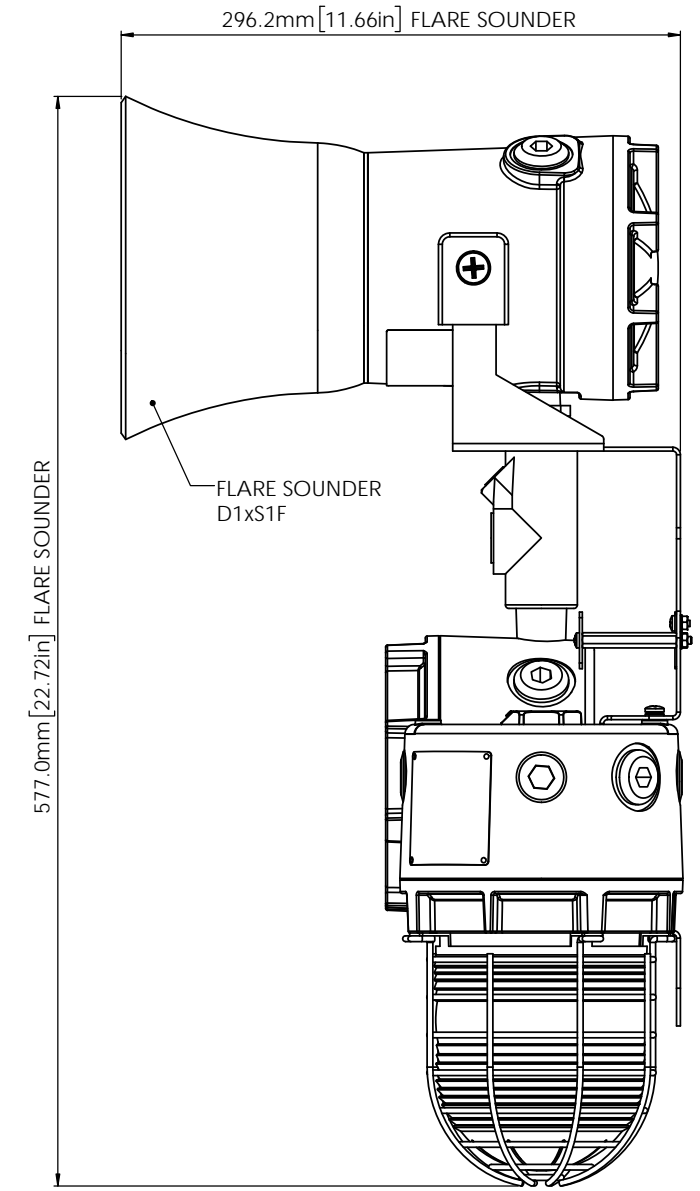
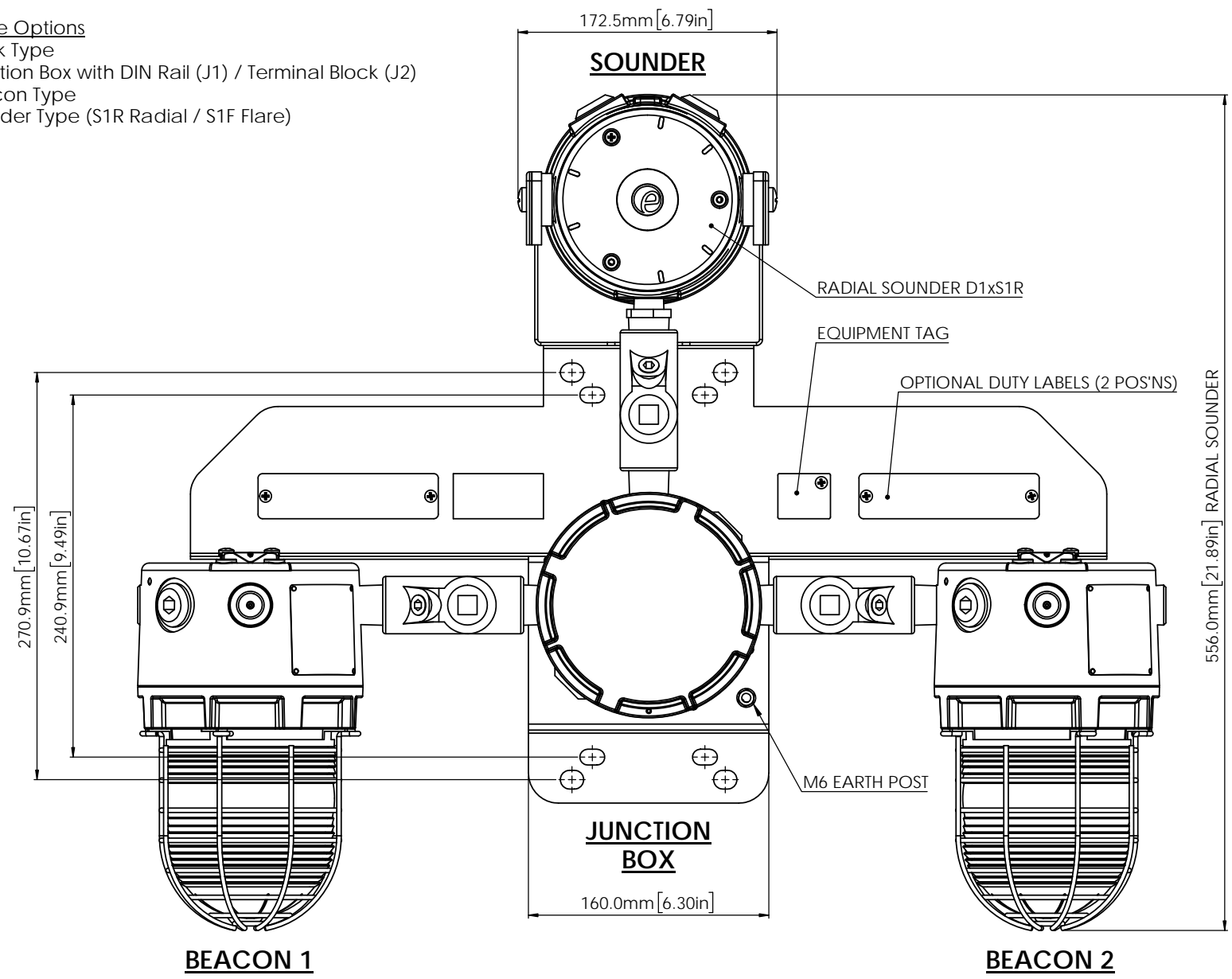
DESCRIPTION
D1xC4 ALARM BAR

DATA REFERENCE
1-26-090

ISSUE	MOD No.	REASON - INITIAL - DATE
1		INTRODUCTION DAH - 19/09/2019

BEACON 1
BEACON 2

Code Options
D1xC4 Stack Type
[J1] Junction Box with DIN Rail (J1) / Terminal Block (J2)
[XX] Beacon Type
[XXX] Sounder Type (S1R Radial / S1F Flare)



DRAWING TO BS888:2000 GEOMETRIC TOLERANCES TO ISO1101:1983 LINEAR DIMENSIONAL TOLS ANGULAR DIMENSIONAL TOLS	DRAWN	DATE	SURFACE FINISH	WEIGHT (kg)	THIS DRAWING AND ANY INFORMATION OR DESCRIPTIVE MATTER THEREIN IS COMMUNICATED IN CONFIDENCE AND IS THE COPYRIGHT PROPERTY OF EUROPEAN SAFETY SYSTEMS LTD. NEITHER THE WHOLE OR ANY EXTRACT MAY BE DISCLOSED, LOANED, COPIED OR USED FOR MANUFACTURING OR TENDERING PURPOSES WITHOUT THEIR WRITTEN CONSENT. EUROPEAN SAFETY SYSTEMS LTD. AS PER LATEST DATE OF ISSUE SHOWN ABOVE	 EUROPEAN SAFETY SYSTEMS LTD IMPRESS HOUSE MANSELL ROAD ACTON LONDON W3 7QH WWW.E2S.COM	ALL DIMENSIONS IN MM IF IN DOUBT, ASK - DO NOT SCALE	 A1	
	CHECKED	DATE	MATERIAL						
	R.N.POTTS	19/09/19							
	APPROVED	DATE	ALTERNATIVE MATERIAL						
STANDARDS PRODUCT REF	R.N.POTTS	19/09/19					TITLE D1xC4 ALARM BAR OUTLINE DRAWING		
							SCALE 1:2	SHEET 1 OF 1	DRAWING NUMBER D225-05-001