

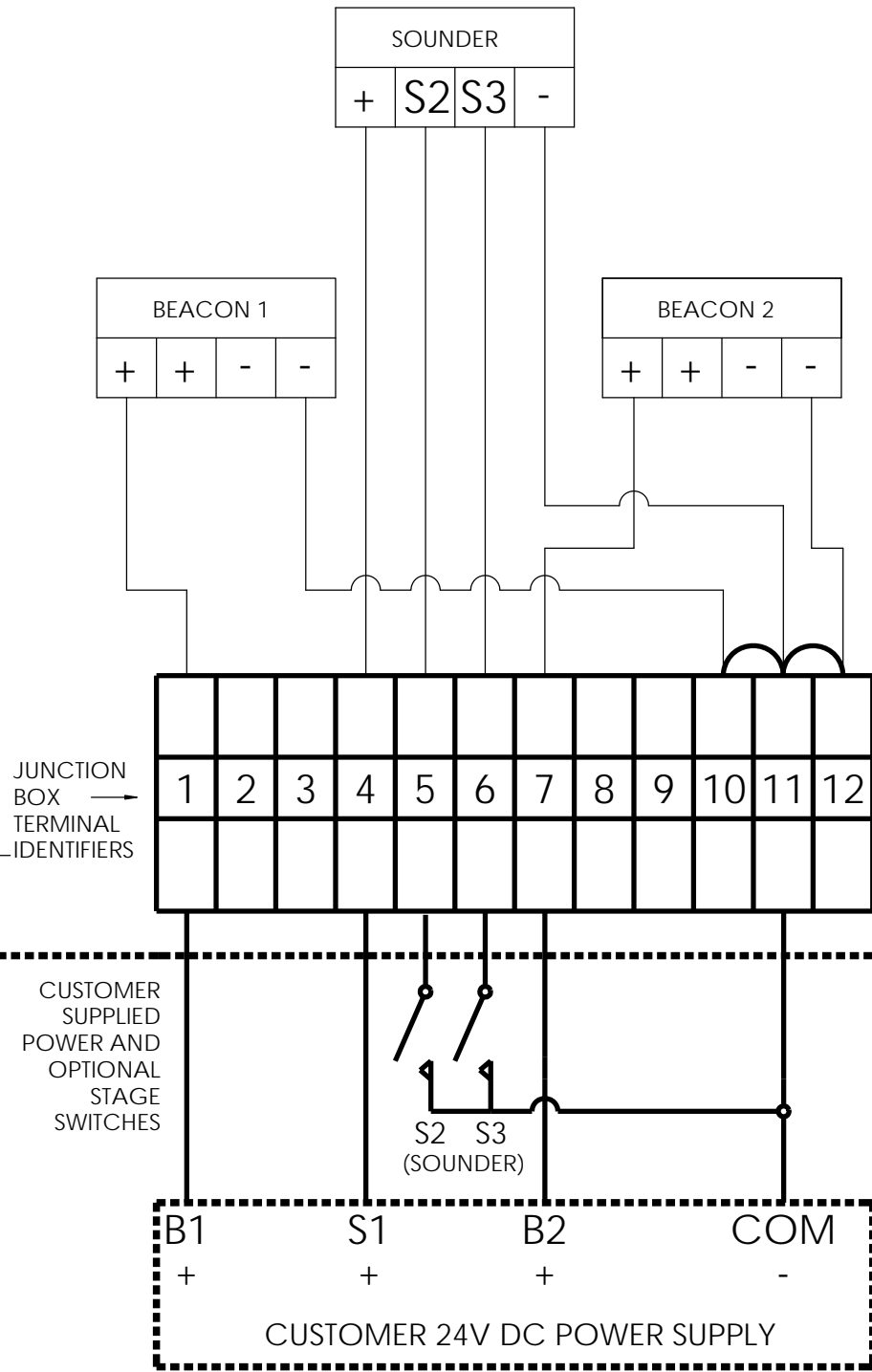
E2S PART NO.
D1xC4[J1][XX][XX][XXX]

DESCRIPTION
D1xC4 ALARM BAR

DATA REFERENCE
1-26-090

ISSUE	MOD No.	REASON - INITIAL - DATE
1		Introduction DAH 19/09/2019
2		Sounder Common Terminal 3 Added to AC DAH 24/09/2021

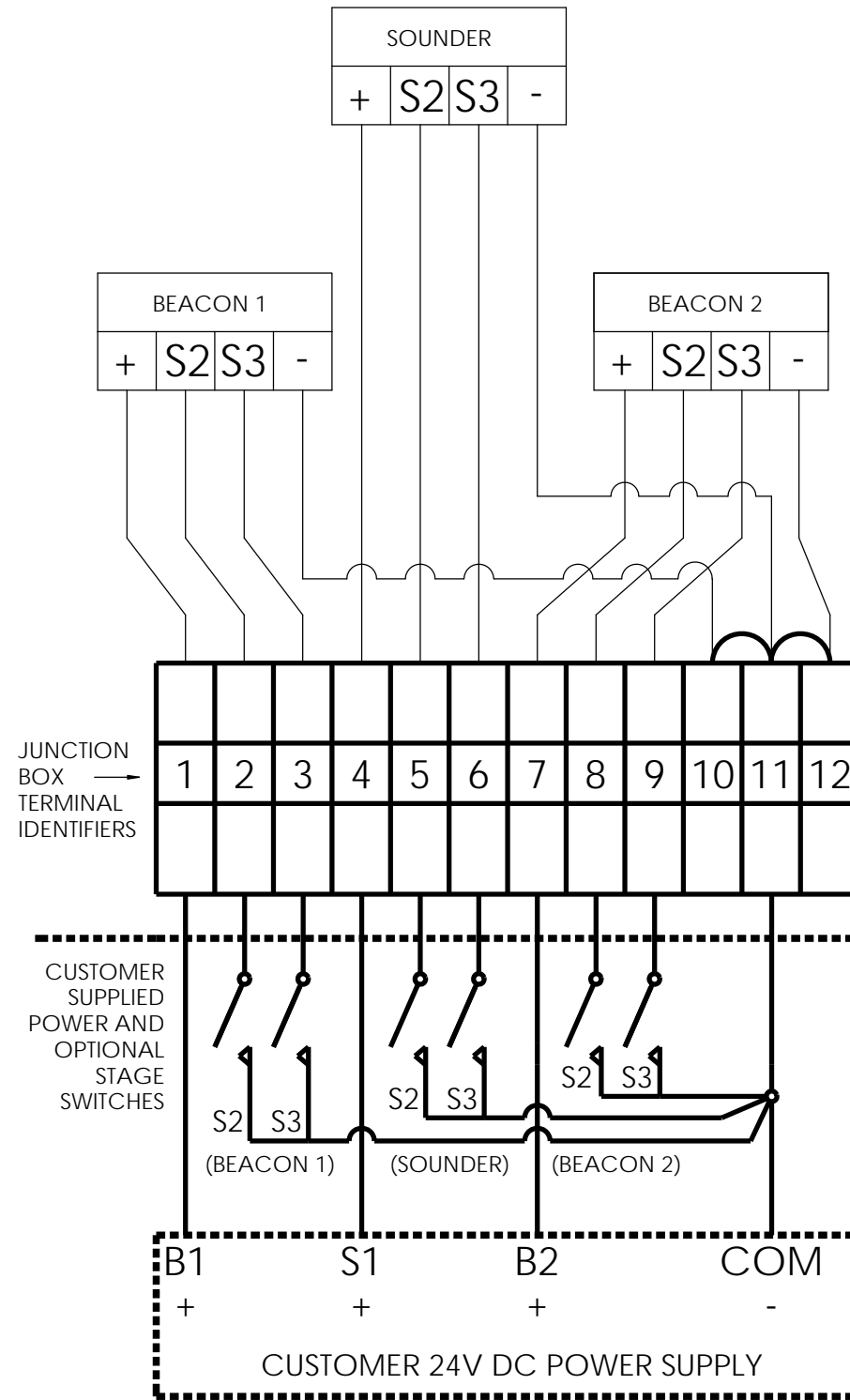
ALARM BAR WITH DC XENON BEACONS



Legend			
Abbreviation	Description	Terminal	
B1	BEACON 1 POSITIVE	1	
+			
S1	SOUNDER POSITIVE	4	
+			
Optional	S2	SOUNDER STAGE 2 SWITCH	5
	S3	SOUNDER STAGE 3 SWITCH	6
B2	BEACON 2 POSITIVE	7	
+			
COM	COMMON NEGATIVE	10, 11 OR 12	
-			

Note:
All switches shown
to be supplied by
customer

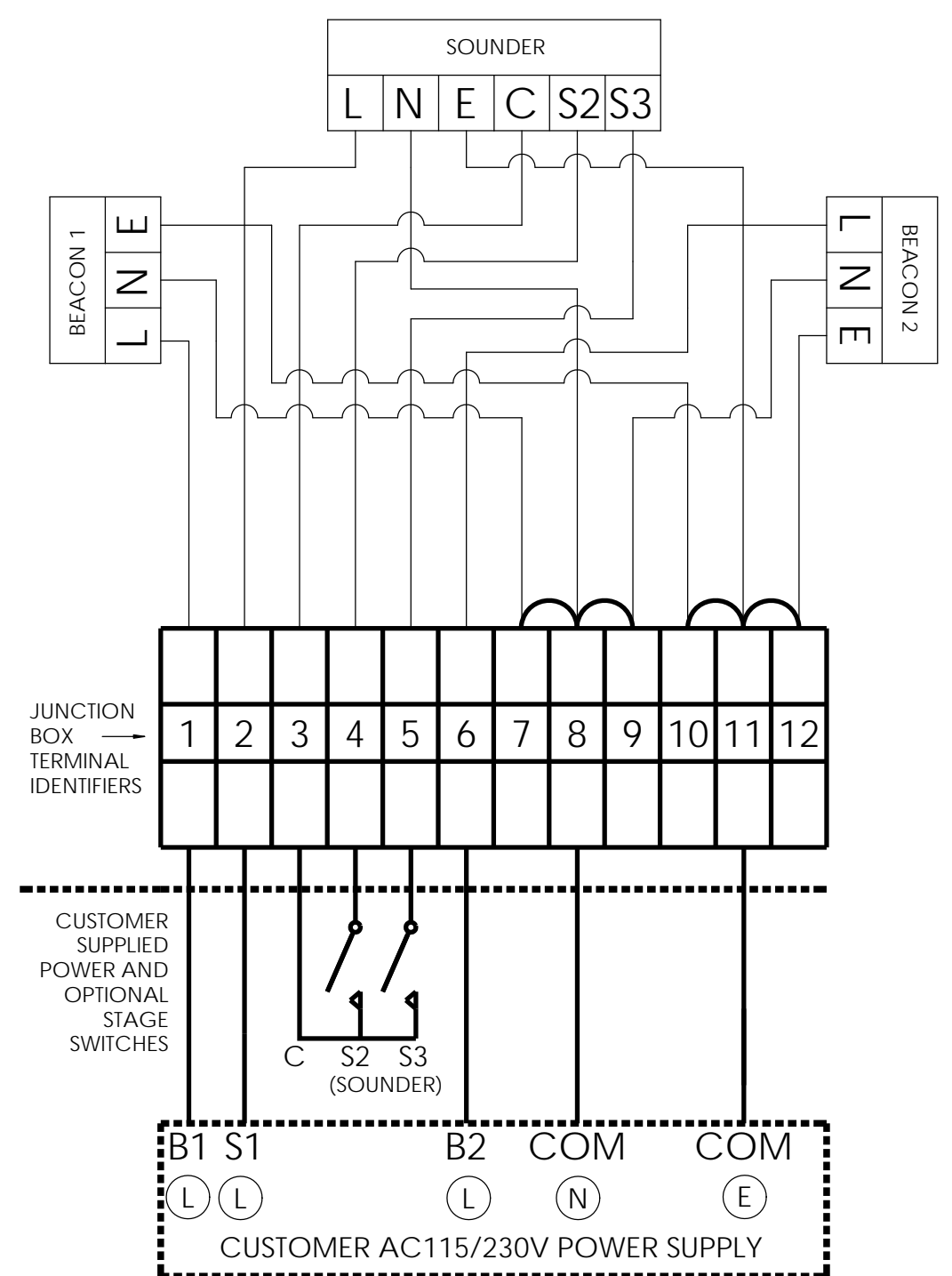
ALARM BAR WITH DC LED BEACONS



Legend			
Abbreviation	Description	Terminal	
B1	BEACON 1 POSITIVE	1	
+			
Optional	S2	BEACON 1 STAGE 2 SWITCH	2
	S3	BEACON 1 STAGE 3 SWITCH	3
S1	SOUNDER POSITIVE	4	
+			
Optional	S2	SOUNDER STAGE 2 SWITCH	5
	S3	SOUNDER STAGE 3 SWITCH	6
B2	BEACON 2 POSITIVE	7	
+			
Optional	S2	BEACON 2 STAGE 2 SWITCH	8
	S3	BEACON 2 STAGE 3 SWITCH	9
COM	COMMON NEGATIVE	10, 11 OR 12	
-			

Note:
All switches shown
to be supplied by
customer

ALARM BAR WITH AC SUPPLY (ALL BEACON TYPES)



Legend			
Abbreviation	Description	Terminal	
B1	BEACON 1 LIVE	1	
(L)			
S1	SOUNDER LIVE	2	
(L)			
Optional	C	COMMON	3
	S2	SOUNDER STAGE 2 SWITCH	4
	S3	SOUNDER STAGE 3 SWITCH	5
B2	BEACON 2 LIVE	6	
(L)			
COM	COMMON NEUTRAL	7, 8 OR 9	
(N)			
COM	COMMON EARTH	10, 11 OR 12	
(E)			

Note:
All switches shown
to be supplied by
customer