

8	9	10
ISSUE	MOD No.	REASON - INITIAL - DATE
A		INTRODUCTION DH 17/05/2022

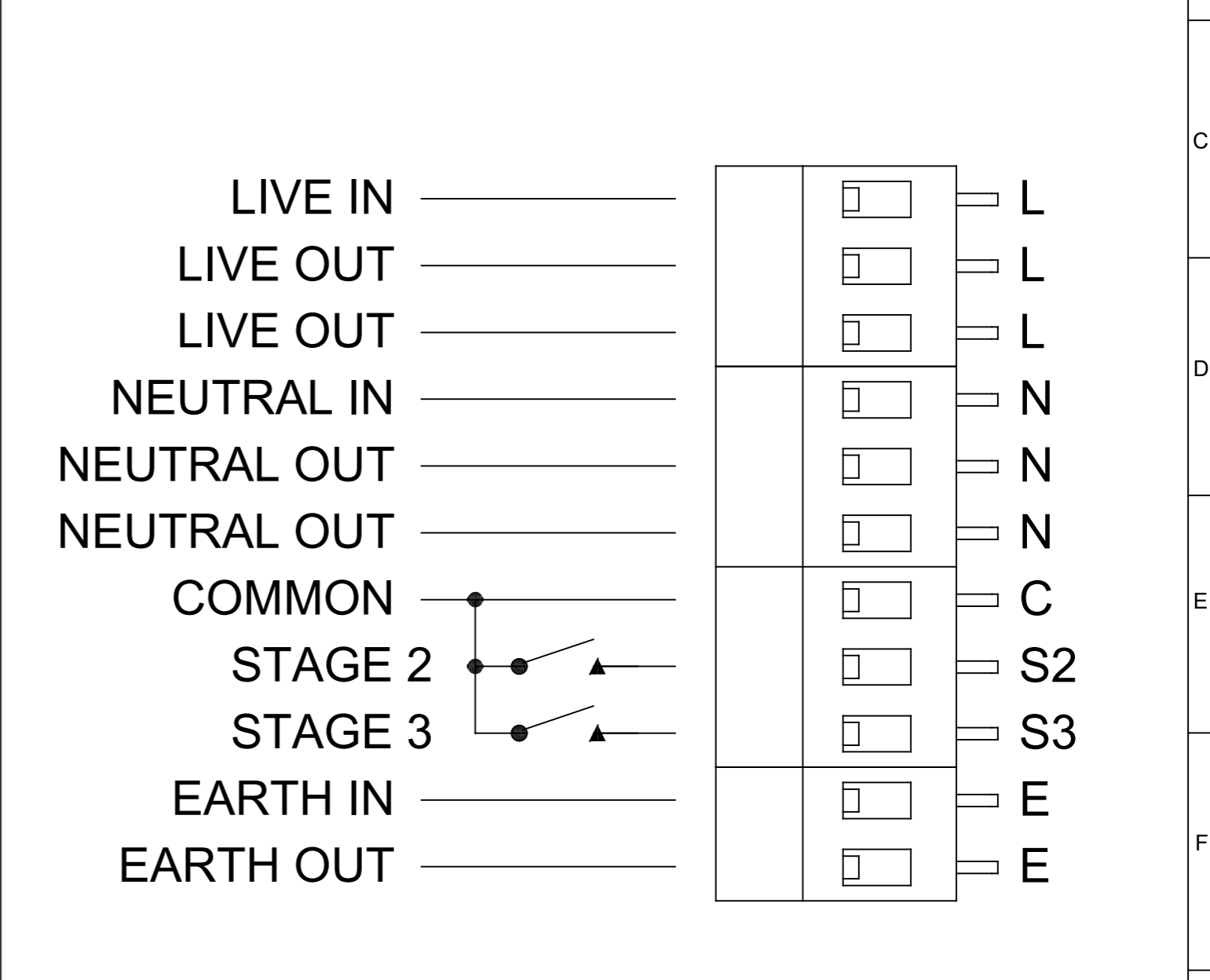
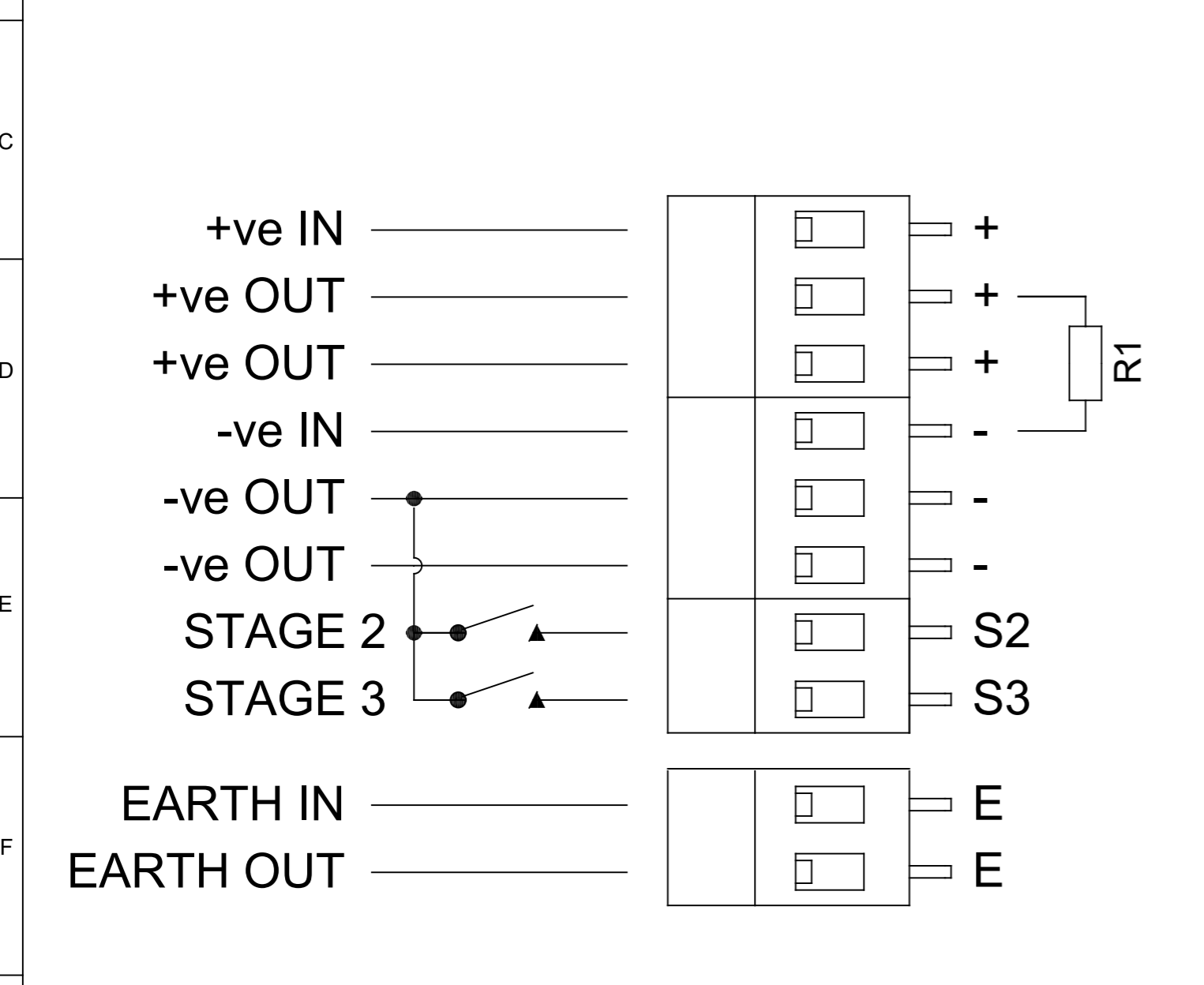
OPTIONAL LINE MONITORING RESISTOR, CUSTOMER SUPPLIED,  
REQUIRED MINIMUM VALUES:  
24VDC : 1KΩ MIN, 2W MIN OR 3K9Ω MIN, 0.5W MIN  
48VDC : 3.9KΩ MIN, 2W MIN OR 15KΩ MIN, 0.5W MIN

**DC D2XS1 UNITS**

**Line Monitoring**  
 Stage 1: Apply power to Sounder +ve & -ve  
 Stage 2: (Default: -ve Switching) Apply power to Sounder +ve & -ve. Connect Stage 2 to -ve  
 Stage 3: (Default: -ve Switching) Apply power to Sounder +ve & -ve. Connect Stage 3 to -ve

**AC D2XS1 UNITS**

**Power: Live & Neutral**  
 Stage 1: Apply power to Sounder L & N  
 Stage 2: Apply power to Sounder L & N. Connect Stage 2 to Common  
 Stage 3: Apply power to Sounder L & N. Connect Stage 3 to Common



DRAWING TO BS8888:2000  
 GEOMETRIC TOLERANCES TO ISO1101:1983  
 LINEAR DIMENSIONAL TOLS  
 ANGULAR DIMENSIONAL TOLS

STANDARDS  
 Ex N

DRAWN	DATE
D.HOWGILL	20/05/2022
CHECKED	DATE
R.N.POTTS	20/05/2022
APPROVED	DATE
R.N.POTTS	20/05/2022

SURFACE FINISH	WEIGHT (Kg)
MATERIAL	
ALTERNATIVE MATERIAL	

THIS DRAWING AND ANY INFORMATION OR DESCRIPTIVE MATTER THEREIN IS COMMUNICATED IN CONFIDENCE AND IS THE COPYRIGHT PROPERTY OF EUROPEAN SAFETY SYSTEMS LTD. NEITHER THE WHOLE OR ANY EXTRACT MAY BE DISCLOSED, LOANED, COPIED OR USED FOR MANUFACTURING OR TENDERING PURPOSES WITHOUT THEIR WRITTEN CONSENT.

© EUROPEAN SAFETY SYSTEMS LTD.  
 AS PER LATEST DATE OF ISSUE SHOWN ABOVE



ALL DIMENSIONS IN MM IF IN DOUBT, ASK - DO NOT SCALE			<b>A3</b>
TITLE <b>D2xS1 SOUNDER WIRING DIAGRAMS</b>			
SCALE <b>NTS</b>	SHEET <b>1 OF 1</b>	DRAWING NUMBER <b>D189-06-001</b>	