

ISSUE	MOD No.	REASON - INITIAL - DATE
1		INTRODUCTION RSR 02-01-2020
2		UPDATED FORMAT DH 17-05-2022

OPTIONAL LINE MONITORING RESISTOR, CUSTOMER SUPPLIED,
REQUIRED MINIMUM VALUES:
24VDC : 1KΩ MIN, 2W MIN OR 3K9Ω MIN, 0.5W MIN
48VDC : 3.9KΩ MIN, 2W MIN OR 15KΩ MIN, 0.5W MIN

----- WIRING LINKING BEACON & SOUNDER
FACTORY FITTED

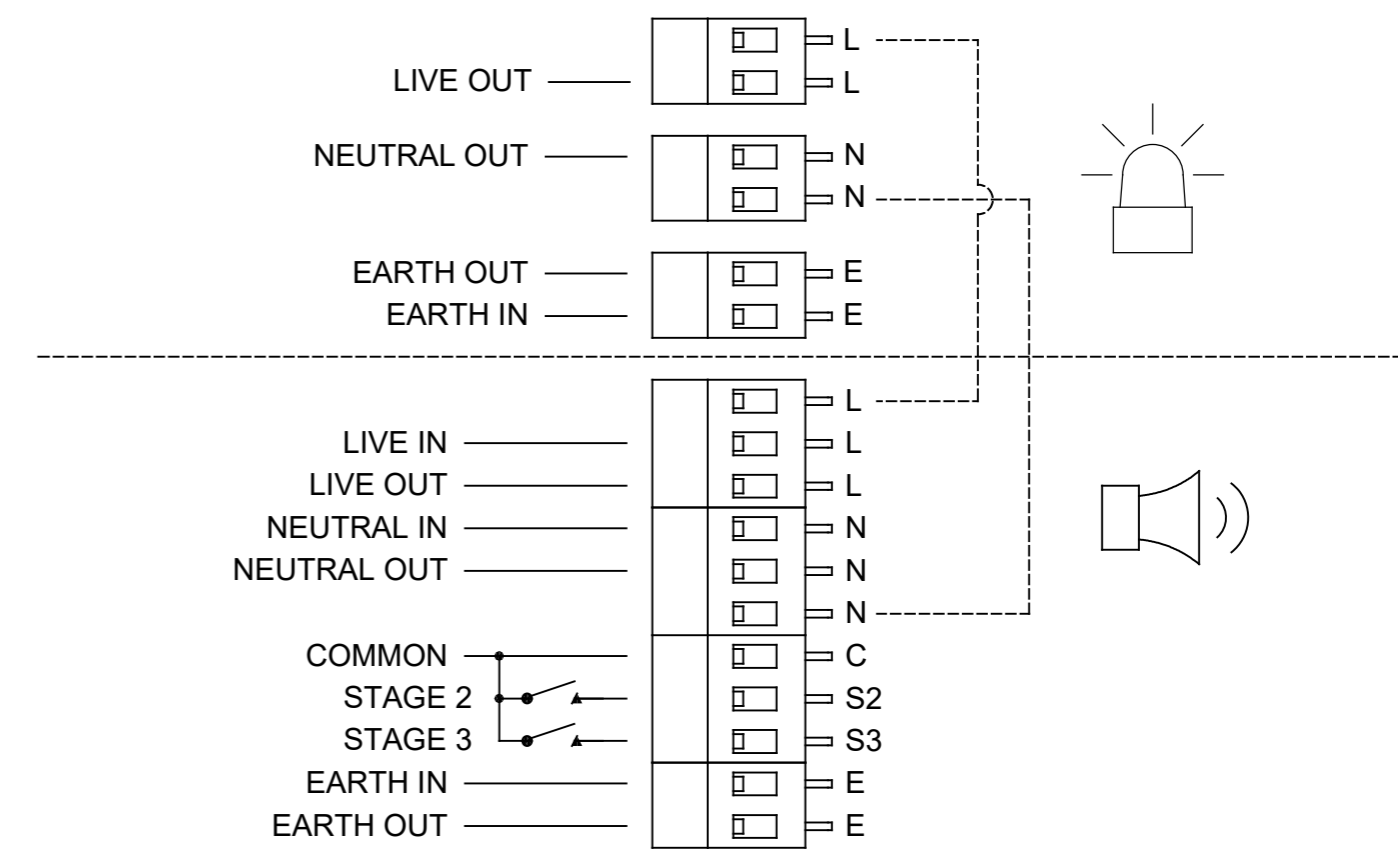
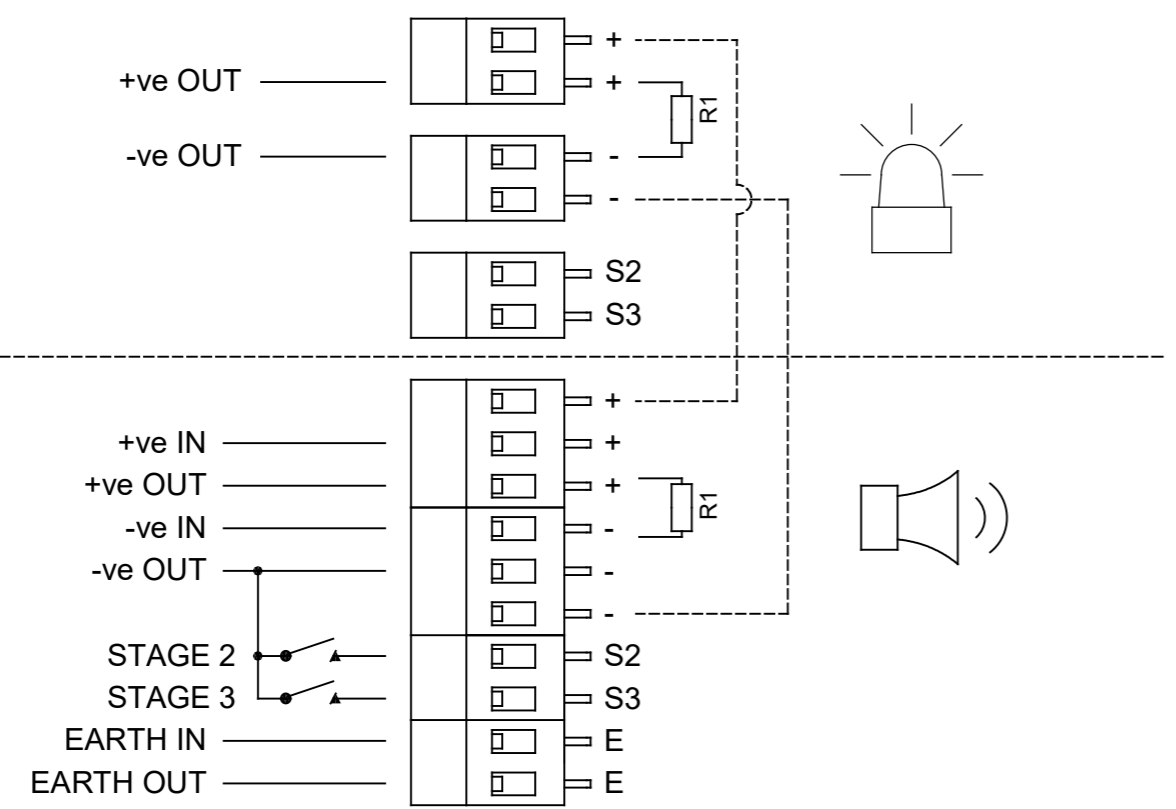
TO OPERATE SOUNDER AND BEACON
INDEPENDENTLY, REMOVE FACTORY
FITTED WIRES LINKING THE UNITS

DC D2XC2LD2 UNITS

Line Monitoring
 Stage 1: Apply power to Sounder +ve & -ve
 Stage 2: Apply power to Sounder +ve & -ve. Connect Stage 2 to -ve
 Stage 3: Apply power to Sounder +ve & -ve. Connect Stage 3 to -ve
 Stage 4: Apply power to Sounder +ve & -ve. Connect Stage 2 and Stage 3 to -ve

AC D2XC2LD2 UNITS

Power: Live & Neutral
 Stage 1: Apply power to Sounder L & N
 Stage 2: Apply power to Sounder L & N. Connect Stage 2 to Common
 Stage 3: Apply power to Sounder L & N. Connect Stage 3 to Common
 Stage 4: Apply power to Sounder L & N. Connect Stage 2 and Stage 3 to Common



DRAWING TO BS8888:2000
 GEOMETRIC TOLERANCES TO ISO1101:1983
 LINEAR DIMENSIONAL TOLS +/-0.35mm
 ANGULAR DIMENSIONAL TOLS +/-2 deg
 STANDARDS
 D2x

DRAWN	DATE
R.S. RAIT	27-06-2019
CHECKED	DATE
B. ISARD	27-06-2019
APPROVED	DATE
R.N.POTTS	27-06-2019

SURFACE FINISH	WEIGHT (Kg)
MATERIAL	
ALTERNATIVE MATERIAL	

THIS DRAWING AND ANY INFORMATION OR DESCRIPTIVE
 MATTER THEREIN IS COMMUNICATED IN CONFIDENCE AND IS
 THE COPYRIGHT PROPERTY OF EUROPEAN SAFETY SYSTEMS
 LTD. NEITHER THE WHOLE OR ANY EXTRACT MAY BE
 DISCLOSED, LOANED, COPIED OR USED FOR MANUFACTURING
 OR TENDERING PURPOSES WITHOUT THEIR WRITTEN
 CONSENT.
 © EUROPEAN SAFETY SYSTEMS LTD.
 AS PER LATEST DATE OF ISSUE SHOWN ABOVE

e2s
warning signals
 EUROPEAN SAFETY SYSTEMS LTD
 IMPRESS HOUSE
 MANSELL ROAD
 ACTON
 LONDON W3 7QH
 WWW.E2S.COM

ALL DIMENSIONS IN MM IF IN DOUBT, ASK - DO NOT SCALE		
TITLE D2xC2LD2 PUBLIC MODE FIRE/GENERAL SIGNALING COMBINED BEACON AND SOUNDER WIRING DIAGRAM		
SCALE NTS	SHEET 1 OF 1	DRAWING NUMBER D211-06-611