

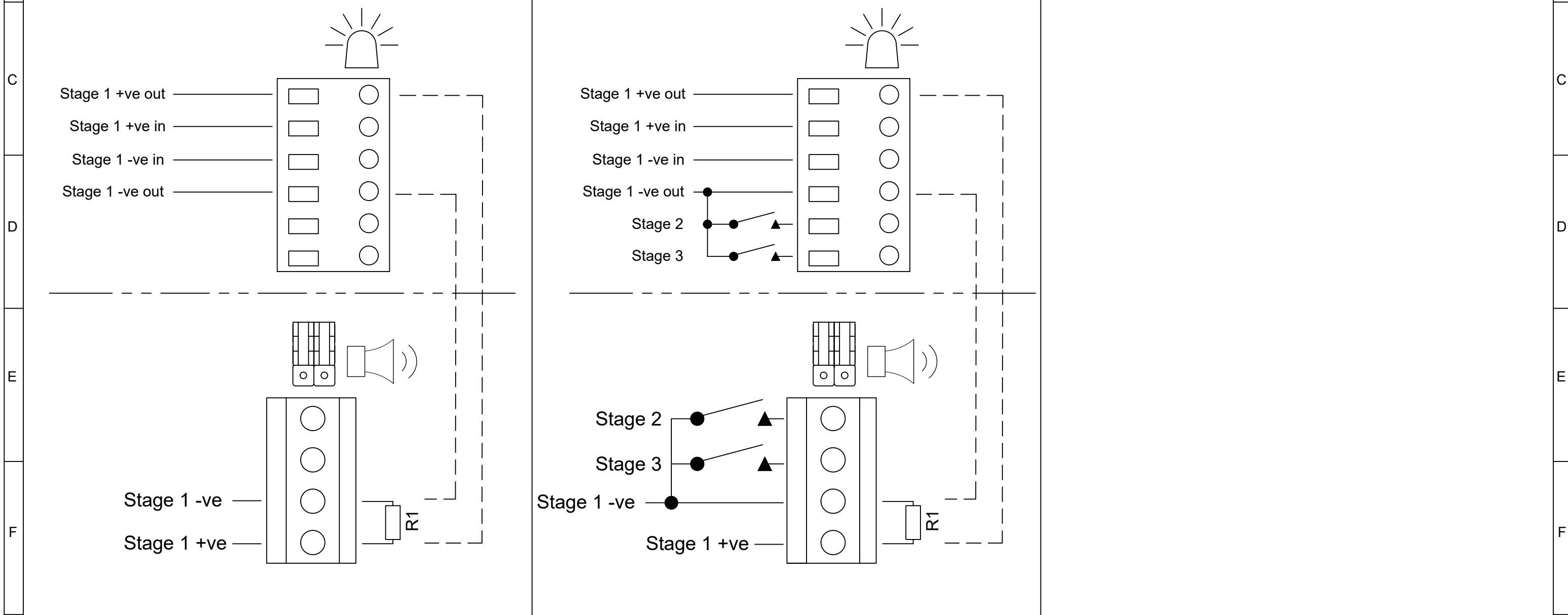
1	2	3	4	5	6	7	8	9	10
							ISSUE	MOD No.	REASON - INITIAL - DATE
							1		INTRODUCTION RSR - 05/09/2022

OPTIONAL LINE MONITORING RESISTOR, CUSTOMER SUPPLIED,
MINIMUM VALUES:
500Ω MIN, 2W MIN OR 3K3Ω MIN, 0.5W MIN

SWITCHES FOR STAGE OPERATION
CUSTOMER SUPPLIED

WIRING LINKING BEACON &
SOUNDER FACTORY FITTED

Single Stage Configuration	Config.: 1a	Two Stage Configuration	Config.: 1b	
Line Monitoring Set to negative switching (default)		Common Positive Set to negative switching (default)		
Stage 1: Apply Power to Stage 1 +ve & Stage 1 -ve		Stage 1: Apply Power to Stage 1 +ve & Stage 1 -ve Stage 2: Apply Power to +ve & -ve, Connect Stage 2 to -ve Stage 3: Apply Power to +ve & -ve, Connect Stage 3 to -ve		



DRAWING TO BS8888:2000 GEOMETRIC TOLERANCES TO ISO1101:1983 LINEAR DIMENSIONAL TOLS ANGULAR DIMENSIONAL TOLS	DRAWN	DATE	SURFACE FINISH	WEIGHT (Kg)	THIS DRAWING AND ANY INFORMATION OR DESCRIPTIVE MATTER THEREIN IS COMMUNICATED IN CONFIDENCE AND IS THE COPYRIGHT PROPERTY OF EUROPEAN SAFETY SYSTEMS LTD. NEITHER THE WHOLE OR ANY EXTRACT MAY BE DISCLOSED, LOANED, COPIED OR USED FOR MANUFACTURING OR TENDERING PURPOSES WITHOUT THEIR WRITTEN CONSENT.	 warning signals	ALL DIMENSIONS IN MM IF IN DOUBT, ASK - DO NOT SCALE			A3	
	R.S.RAIT	08/03/2022					MATERIAL	TITLE BExCS110-L2D DC COMBINED SOUNDER & BEACON WIRING DIAGRAMS			
	CHECKED	DATE					ALTERNATIVE MATERIAL	SCALE	SHEET	DRAWING NUMBER	
STANDARDS	B.ISARD	08/03/2022			© EUROPEAN SAFETY SYSTEMS LTD. AS PER LATEST DATE OF ISSUE SHOWN ABOVE	NTS	1 OF 1	D210-06-611			
BEx	APPROVED	DATE									
	R.N.POTTS	08/03/2022									