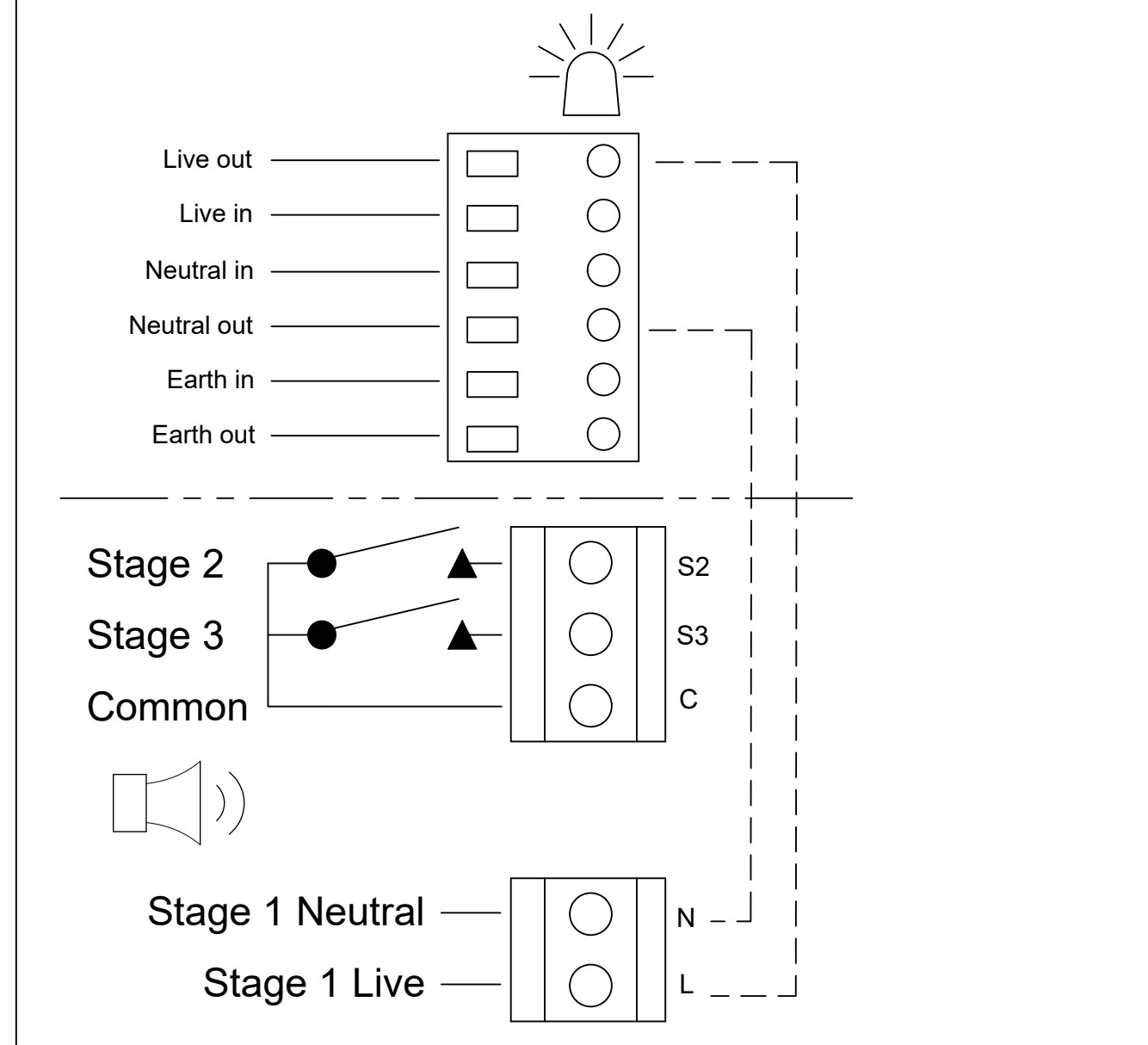
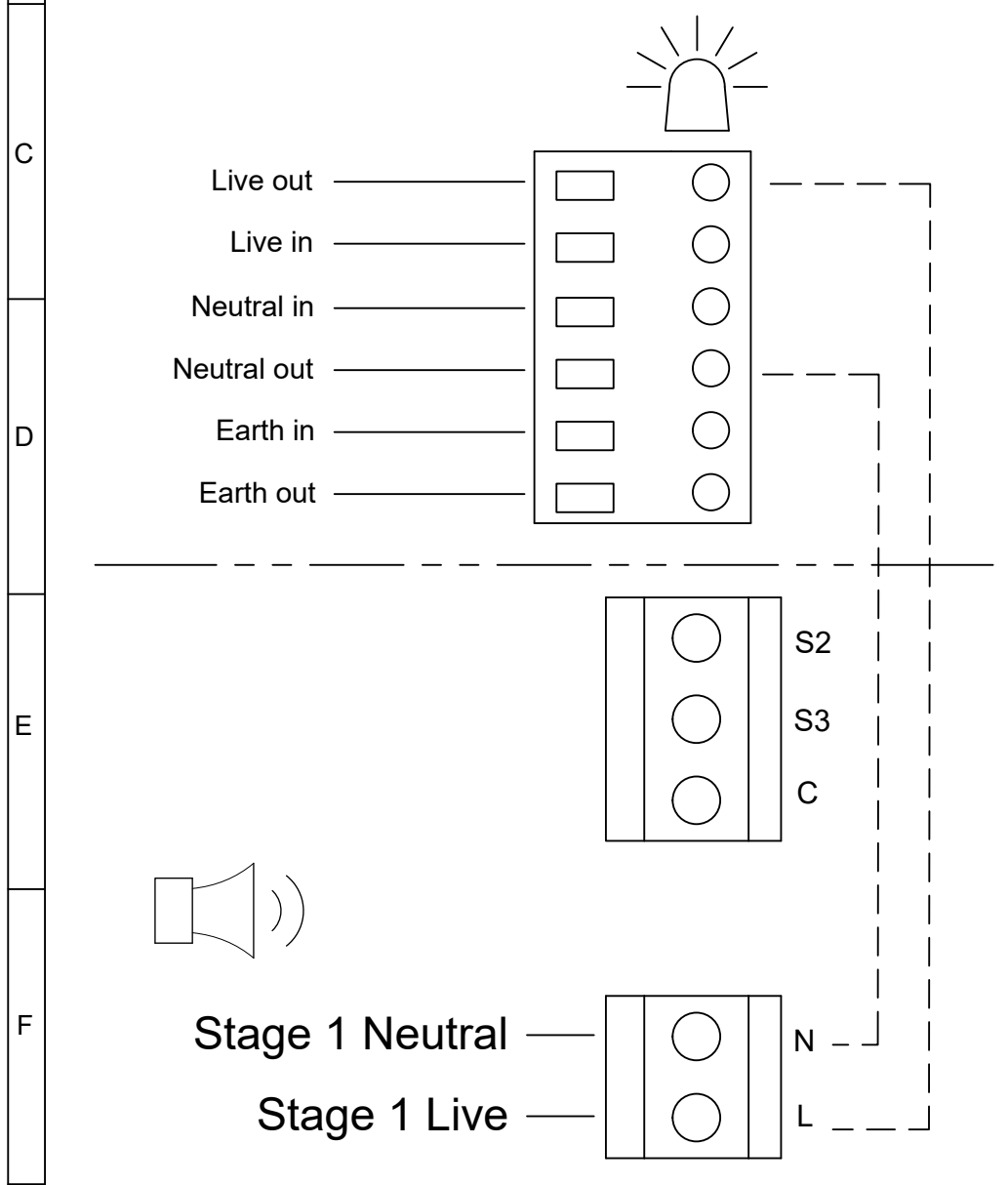


1	2	3	4	5	6	7	8	9	10
							ISSUE	MOD No.	REASON - INITIAL - DATE
							1		INTRODUCTION RSR - 05/09/2022



Single Stage Configuration	Config.: 1a	Two Stage Configuration	Config.: 1b
Stage 1: Apply Power to Stage 1 Live & Stage 1 Neutral		Common Positive Set to negative switching (default) Stage 1: Apply Power to Stage 1 Live & Stage 1 Neutral Stage 2: Apply Power to Stage 1 Live & Stage 1 Neutral, Connect Stage 2 to Common Stage 3: Apply Power to Stage 1 Live & Stage 1 Neutral, Connect Stage 3 to Common	



DRAWING TO BS8888:2000 GEOMETRIC TOLERANCES TO ISO1101:1983 LINEAR DIMENSIONAL TOLS ANGULAR DIMENSIONAL TOLS	DRAWN	DATE	SURFACE FINISH	WEIGHT (Kg)	THIS DRAWING AND ANY INFORMATION OR DESCRIPTIVE MATTER THEREIN IS COMMUNICATED IN CONFIDENCE AND IS THE COPYRIGHT PROPERTY OF EUROPEAN SAFETY SYSTEMS LTD. NEITHER THE WHOLE OR ANY EXTRACT MAY BE DISCLOSED, LOANED, COPIED OR USED FOR MANUFACTURING OR TENDERING PURPOSES WITHOUT THEIR WRITTEN CONSENT. © EUROPEAN SAFETY SYSTEMS LTD. AS PER LATEST DATE OF ISSUE SHOWN ABOVE	EUROPEAN SAFETY SYSTEMS LTD IMPRESS HOUSE MANSELL ROAD ACTON LONDON W3 7QH WWW.E2S.COM	ALL DIMENSIONS IN MM IF IN DOUBT, ASK - DO NOT SCALE		A3
	R.S.RAIT	08/03/2022					MATERIAL		
	CHECKED	DATE	ALTERNATIVE MATERIAL	SCALE			SHEET	DRAWING NUMBER	
	B.ISARD	08/03/2022		NTS			1 OF 1	D210-06-615	
STANDARDS	APPROVED	DATE							
BEx	R.N.POTTS	08/03/2022							