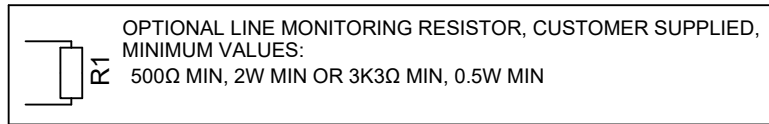
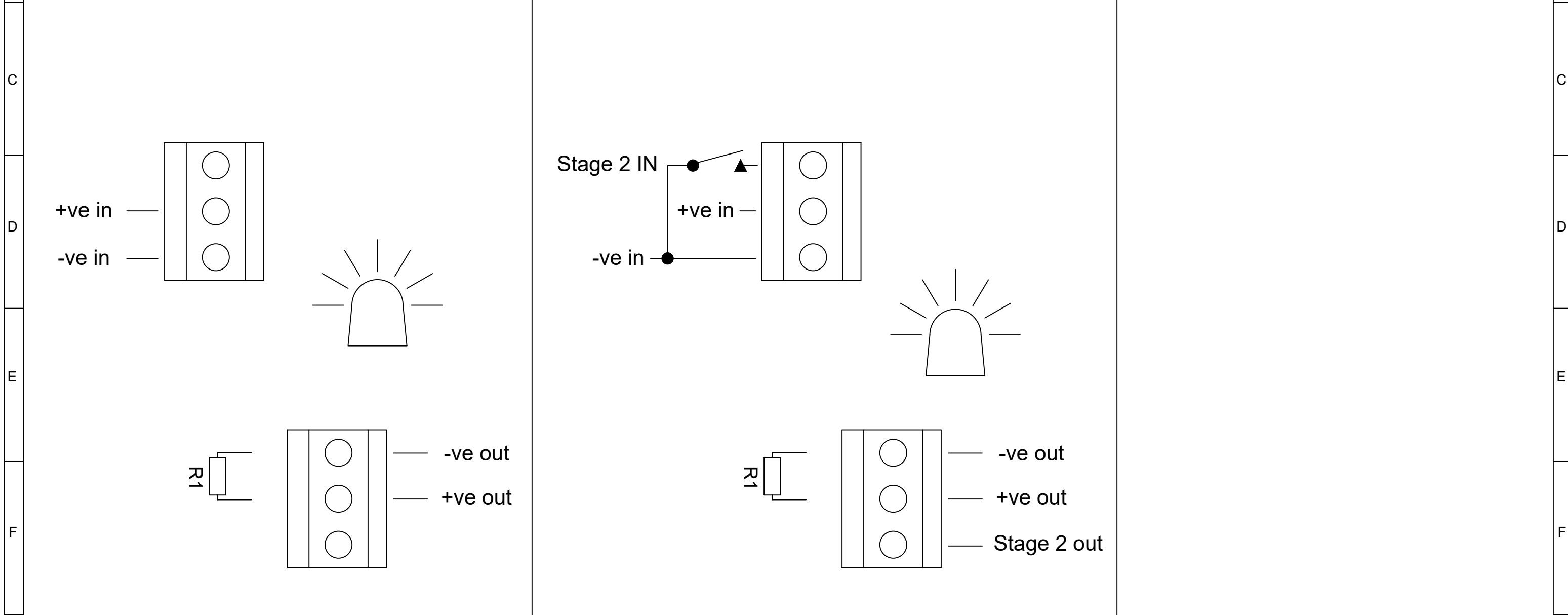


1	2	3	4	5	6	7	8	9	10
							ISSUE	MOD No.	REASON - INITIAL - DATE
							1		INTRODUCTION RSR - 24/03/2022



Single Stage Configuration	Config.: 1a	Two Stage Configuration	Config.: 1b
Optional Line Monitoring		Optional Line Monitoring Negative Switching	
Stage 1: Apply Power to +ve & -ve		Stage 1: Apply Power to +ve & -ve Stage 1: Apply Power to +ve & -ve & connect Stage 2 to -ve	



DRAWING TO BS8888:2000 GEOMETRIC TOLERANCES TO ISO1101:1983 LINEAR DIMENSIONAL TOLS ANGULAR DIMENSIONAL TOLS	DRAWN	DATE	SURFACE FINISH	WEIGHT (Kg)	 EUROPEAN SAFETY SYSTEMS LTD IMPRESS HOUSE MANSELL ROAD ACTON LONDON W3 7QH WWW.E2S.COM	ALL DIMENSIONS IN MM IF IN DOUBT, ASK - DO NOT SCALE		A3
	R.S.RAIT	24/03/2022	MATERIAL			TITLE BExBG21D DC BEACON WIRING DIAGRAMS		
	CHECKED	DATE	ALTERNATIVE MATERIAL			SCALE	SHEET	DRAWING NUMBER
	B.ISARD	24/03/2022				NTS	1 OF 1	D210-06-221
STANDARDS	APPROVED	DATE						
BEx	R.N.POTTS	24/03/2022						