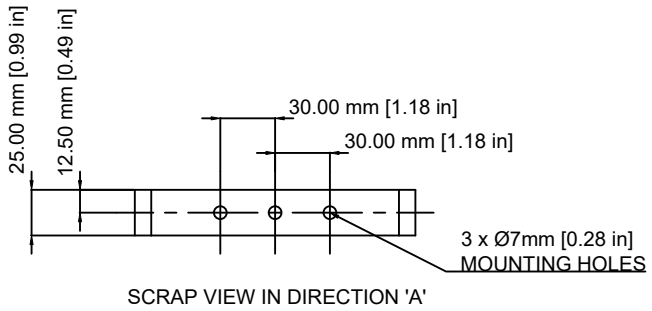
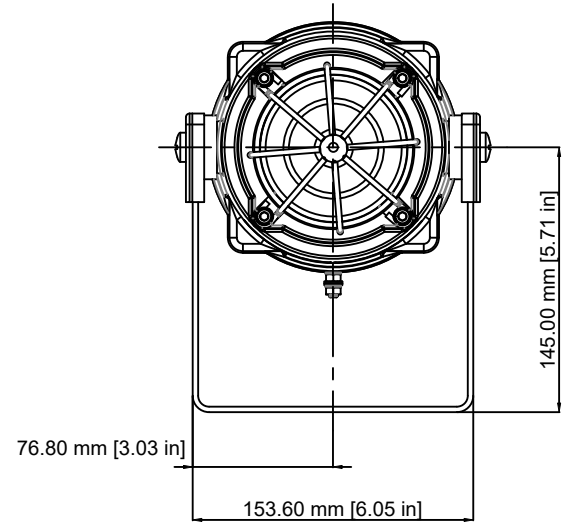
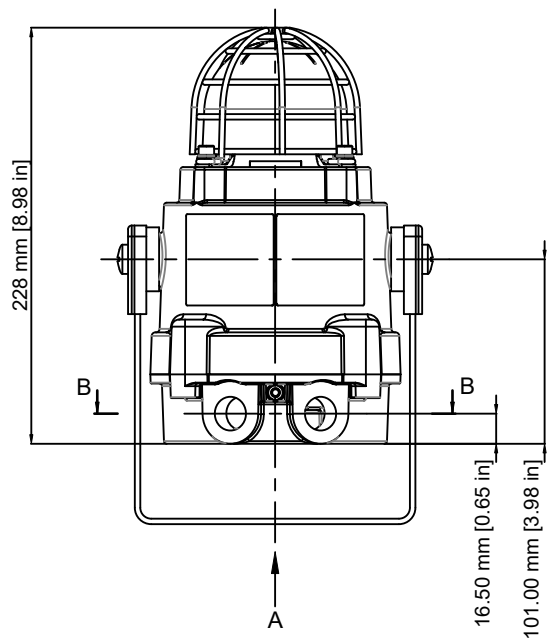
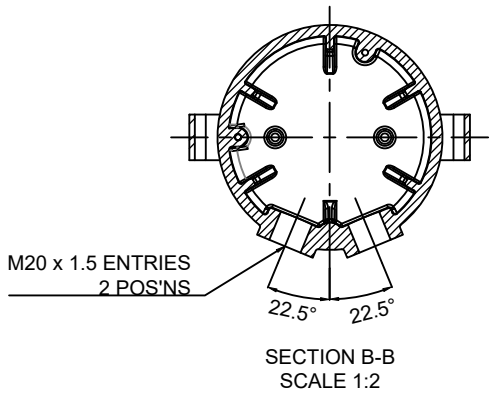


ISSUE	MOD No.	INITIAL/DATE
1		INTRODUCTION MA 02-08-2021
2		AMENDED CODES RSR 16-09-2022



NOTE:
VENDER TO PROVIDE DATASHEET

E2S PART NO.	DESCRIPTION	DATA REFERENCE
BExBG05D-P...	BExBG05 XENON BEACON (Ex d VERSION)	1.21.110
BExBG10D-P...	BExBG10 XENON BEACON (Ex d VERSION)	1.21.120
BExBG15D-P...	BExBG15 XENON BEACON (Ex d VERSION)	1.21.130
BExBG21D-P...	BExBG21 XENON BEACON	1.21.090
BExBGL2D-P...	BExBGL2 LED BEACON	1.21.101
BExTBG05D-P...	BExTBG05 ZONE 1, 2, 21 & 22 TELEPHONE BEACON	1.21.150

DRAWING TO BS8888:2000 GEOMETRIC TOLERANCES TO ISO1101:1983 LINEAR DIMENSIONAL TOLS ANGULAR DIMENSIONAL TOLS	DRAWN DATE M.ABALOS 02-08-2021	SURFACE FINISH	WEIGHT (Kg)	THIS DRAWING AND ANY INFORMATION OR DESCRIPTIVE MATTER THEREIN IS COMMUNICATED IN CONFIDENCE AND IS THE COPYRIGHT PROPERTY OF EUROPEAN SAFETY SYSTEMS LTD. NEITHER THE WHOLE OR ANY EXTRACT MAY BE DISCLOSED, LOANED, COPIED OR USED FOR MANUFACTURING OR TENDERING PURPOSES WITHOUT THEIR WRITTEN CONSENT.	 EUROPEAN SAFETY SYSTEMS LTD IMPRESS HOUSE MANSELL ROAD ACTON LONDON W3 7QH WWW.E2S.COM	ALL DIMENSIONS IN MM IF IN DOUBT, ASK - DO NOT SCALE		A2	
	CHECKED DATE B.ISARD 02-08-2021	MATERIAL	ALTERNATIVE MATERIAL						
STANDARDS	APPROVED DATE R.N.POTTS 02-08-2021	EUROPEAN SAFETY SYSTEMS LTD. AS PER LATEST DATE OF ISSUE SHOWN ABOVE				TITLE BExBG Ex d BEACON OUTLINE	SCALE 1:2	SHEET 1 OF 1	DRAWING NUMBER D210-05-201