

OPTIONAL LINE MONITORING RESISTOR, CUSTOMER SUPPLIED,
 REQUIRED MINIMUM VALUES:
 24VDC : 1KΩ MIN, 2W MIN OR 3K9Ω MIN, 0.5W MIN
 48VDC : 3.9KΩ MIN, 2W MIN OR 15KΩ MIN, 0.5W MIN

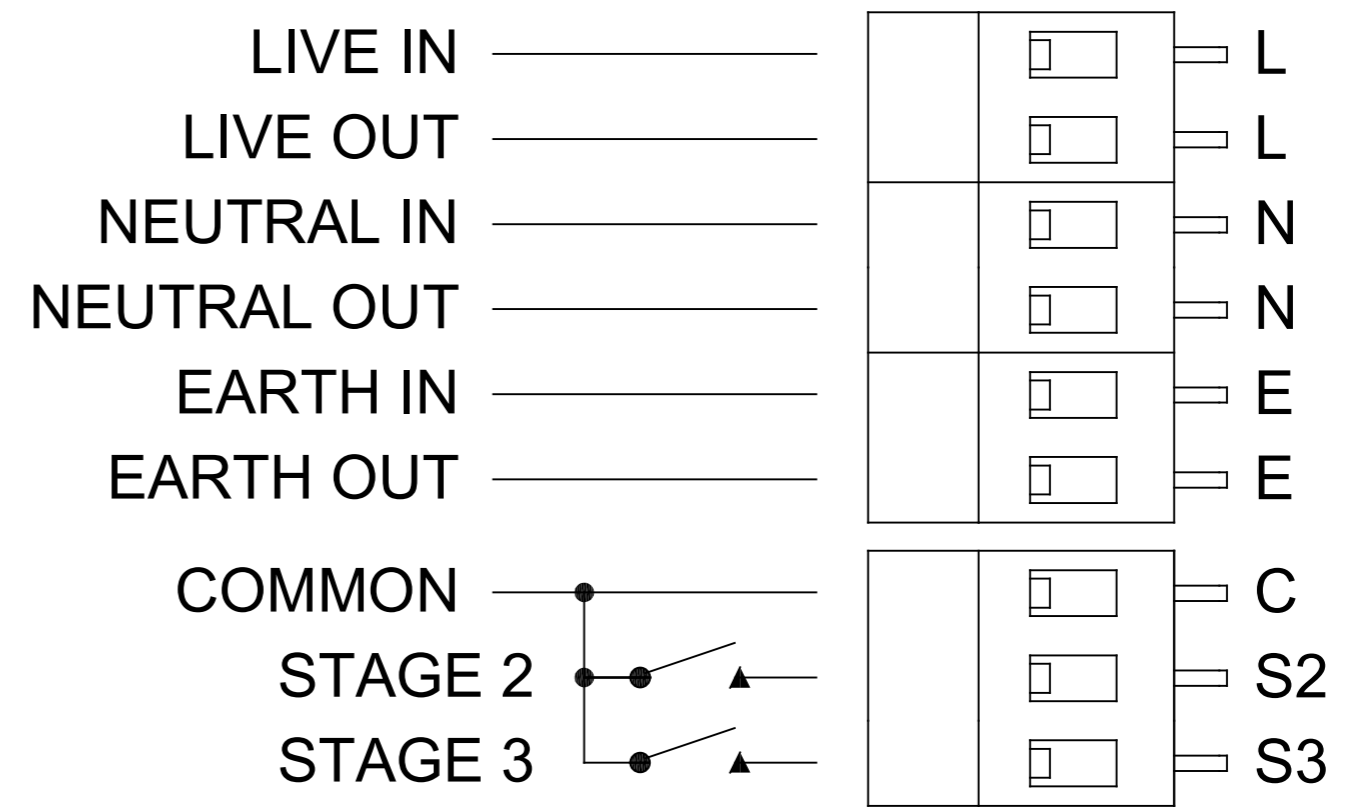
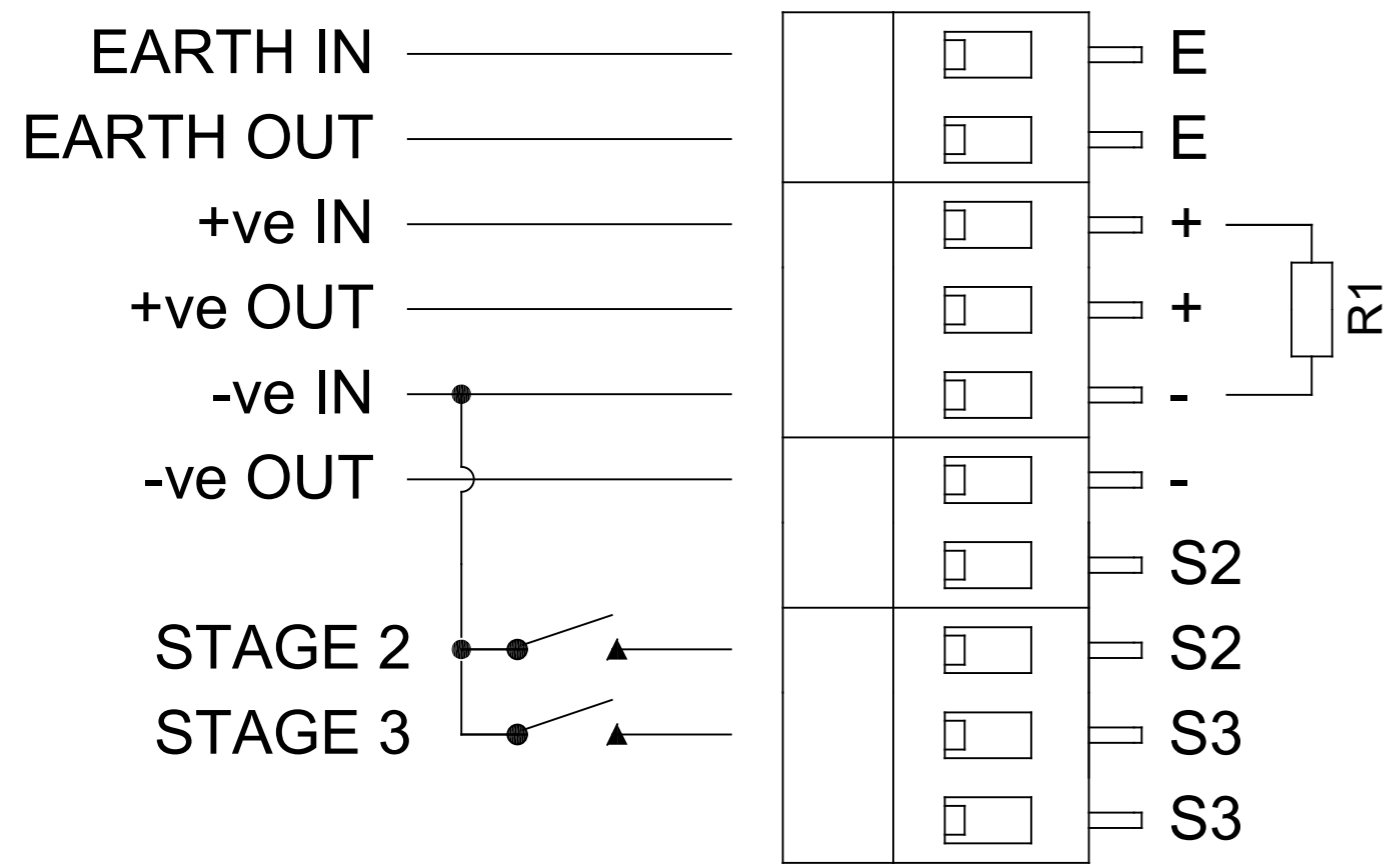
ISSUE	MOD No.	REASON - INITIAL - DATE
A		INTRODUCTION RSR - 05/08/2020
B		UPDATED FORMAT DH 17-05-2022

DC E2XS1/ S2 UNITS

Line Monitoring
 Stage 1: Apply power to Sounder +ve & -ve
 Stage 2: Apply power to Sounder +ve & -ve. Connect Stage 2 to -ve
 Stage 3: Apply power to Sounder +ve & -ve. Connect Stage 3 to -ve

AC E2XS1/ S2 UNITS

Power: Live & Neutral
 Stage 1: Apply power to Sounder L & N
 Stage 2: Apply power to Sounder L & N. Connect Stage 2 to Common
 Stage 3: Apply power to Sounder L & N. Connect Stage 3 to Common



DRAWING TO BS8888:2000
 GEOMETRIC TOLERANCES TO ISO1101:1983
 LINEAR DIMENSIONAL TOLS
 ANGULAR DIMENSIONAL TOLS

STANDARDS
 Ex N

DRAWN	DATE
R.S.RAIT	05/08/2020
CHECKED	DATE
R.N.POTTS	05/08/2020
APPROVED	DATE
R.N.POTTS	05/08/2020

SURFACE FINISH	WEIGHT (Kg)
MATERIAL	
ALTERNATIVE MATERIAL	

THIS DRAWING AND ANY INFORMATION OR DESCRIPTIVE MATTER THEREIN IS COMMUNICATED IN CONFIDENCE AND IS THE COPYRIGHT PROPERTY OF EUROPEAN SAFETY SYSTEMS LTD. NEITHER THE WHOLE OR ANY EXTRACT MAY BE DISCLOSED, LOANED, COPIED OR USED FOR MANUFACTURING OR TENDERING PURPOSES WITHOUT THEIR WRITTEN CONSENT.

© EUROPEAN SAFETY SYSTEMS LTD.
 AS PER LATEST DATE OF ISSUE SHOWN ABOVE



ALL DIMENSIONS IN MM
 IF IN DOUBT, ASK -
 DO NOT SCALE

TITLE **E2xS1R, E2xS1F & E2xS2F**
SOUNDER WIRING DIAGRAMS

SCALE	SHEET	DRAWING NUMBER
NTS	1 OF 1	D209-06-001