

| | | | | | | | | | |
|---|---|---|---|---|---|---|-------|---------|-----------------------------------|
| 1 | 2 | 3 | 4 | 5 | 6 | 7 | 8 | 9 | 10 |
| | | | | | | | ISSUE | MOD No. | REASON - INITIAL - DATE |
| | | | | | | | A | | INTRODUCTION RSR - 05/08/2020 |
| | | | | | | | B | | FORMAT UPDATED DH - 17/05/2022 |

OPTIONAL LINE MONITORING RESISTOR, CUSTOMER SUPPLIED,
REQUIRED MINIMUM VALUES:
24VDC : 1KΩ MIN, 2W MIN OR 3K9Ω MIN, 0.5W MIN
48VDC : 3.9KΩ MIN, 2W MIN OR 15KΩ MIN, 0.5W MIN

WIRING LINKING BEACON & SONDER
FACTORY FITTED

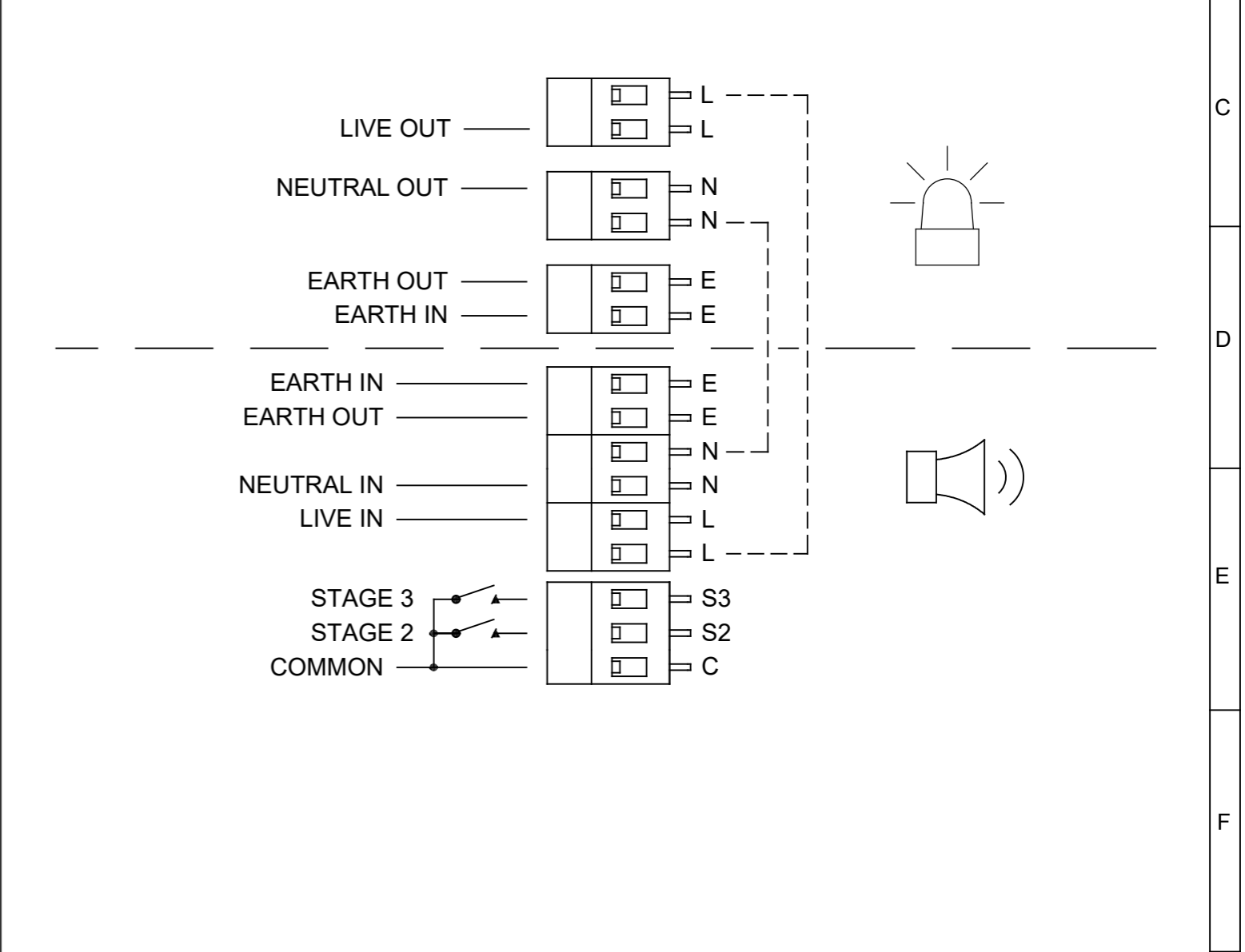
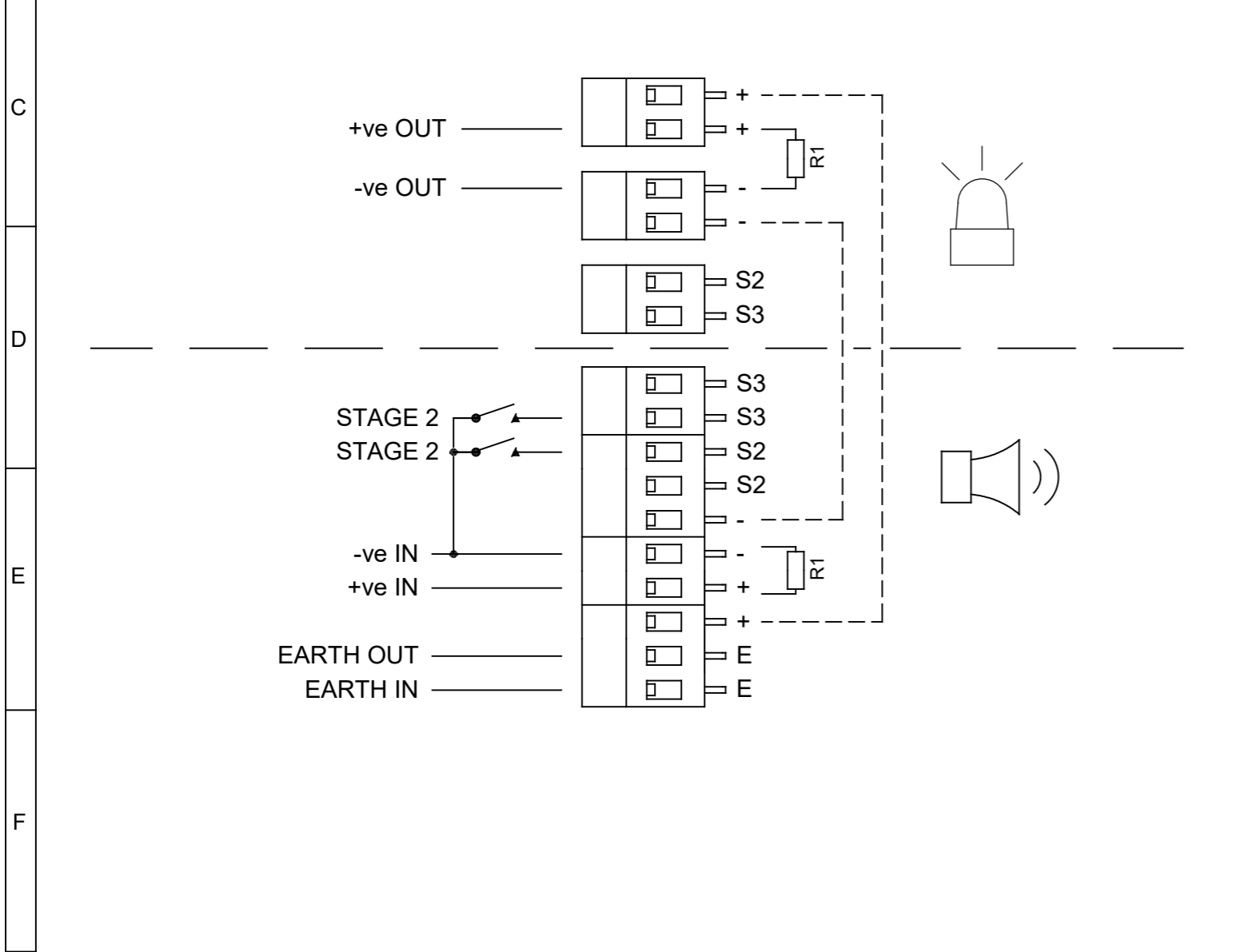
TO OPERATE SONDER AND BEACON
INDEPENDENTLY, REMOVE FACTORY
FITTED WIRES LINKING THE UNITS

DC E2XC1LD2 UNITS

Line Monitoring
Stage 1: Apply power to Sounder +ve & -ve
Stage 2: Apply power to Sounder +ve & -ve. Connect Stage 2 to -ve
Stage 3: Apply power to Sounder +ve & -ve. Connect Stage 3 to -ve

AC E2XC1LD2 UNITS

Power: Live & Neutral
Stage 1: Apply power to Sounder L & N
Stage 2: Apply power to Sounder L & N. Connect Stage 2 to Common
Stage 3: Apply power to Sounder L & N. Connect Stage 3 to Common



DRAWING TO BS8888:2000
GEOMETRIC TOLERANCES TO ISO1101:1983
LINEAR DIMENSIONAL TOLS
ANGULAR DIMENSIONAL TOLS

STANDARDS
Ex N

| | | | |
|----------|-----------|------|------------|
| DRAWN | R.S.RAIT | DATE | 05/08/2020 |
| CHECKED | R.N.POTTS | DATE | 05/08/2020 |
| APPROVED | R.N.POTTS | DATE | 05/08/2020 |

| | |
|----------------------|-------------|
| SURFACE FINISH | WEIGHT (Kg) |
| MATERIAL | |
| ALTERNATIVE MATERIAL | |

THIS DRAWING AND ANY INFORMATION OR DESCRIPTIVE
MATTER THEREIN IS COMMUNICATED IN CONFIDENCE AND
IS THE COPYRIGHT PROPERTY OF EUROPEAN SAFETY
SYSTEMS LTD. NEITHER THE WHOLE OR ANY EXTRACT MAY
BE DISCLOSED, LOANED, COPIED OR USED FOR
MANUFACTURING OR TENDERING PURPOSES WITHOUT THEIR
WRITTEN CONSENT.

EUROPEAN SAFETY SYSTEMS LTD.
AS PER LATEST DATE OF ISSUE SHOWN ABOVE



ALL DIMENSIONS IN MM
IF IN DOUBT, ASK -
DO NOT SCALE

TITLE **E2xC1LD2 LED SONDER/BEACON
WIRING DIAGRAMS**

SCALE: NTS SHEET: 1 OF 1 DRAWING NUMBER: **D209-06-511**