

SONFL1H
Combined Sounder & L.E.D Beacon

10 Selectable Tones & 2 Stages
High Output L.E.D Array

8 Flash Modes:

- Steady On
- Flashing - 1Hz, 1.5Hz, 2Hz
- Double Strike, Triple Strike, Temporal, Blinking

CE, UKCA, EAC Approved

UL / cULus Approved

IP Rating: Type 3R / 13, IP66

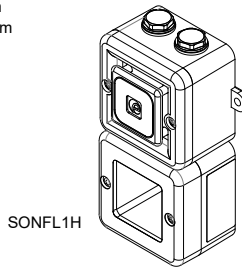
General Signalling Approved for US & Canada UL1638A & CSA22.2 - 205-17

Clear Lens Beacon is Private Mode Fire Approved

for US & Canada UL1638, CAN/ULC-S526

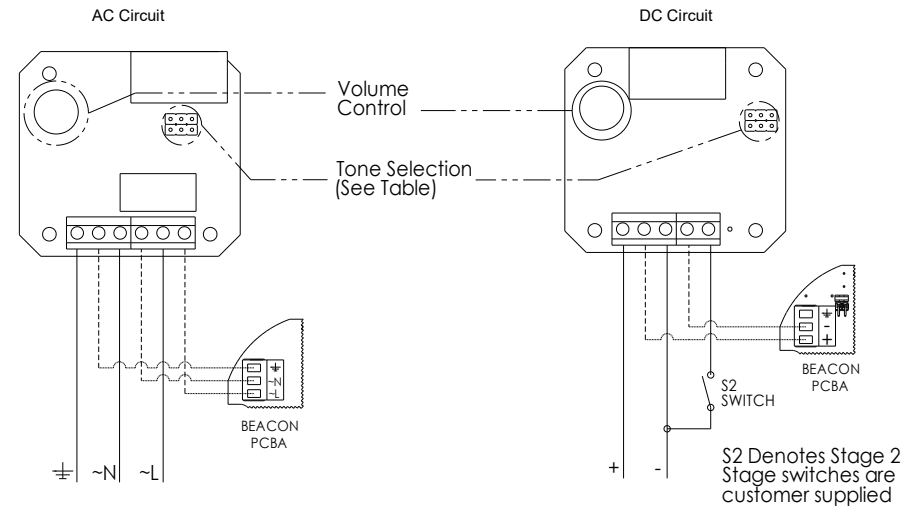


Dimensions: 172 x 86 x 83mm
Cable Entry: 2-off M20 x 1.5mm
Temp: -40°C to +55°C
Unit weight: 0.46Kg



SONFL1H

See D242-06-601 - Schematic Wiring

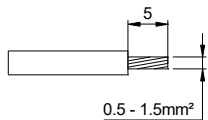


Model No.	Nominal Voltage	Voltage Range	Horn Nom. Current	Beacon Nom. Current	Sound Pressure Level dB(A)	
					Max	Nominal
SONFL1HDC012...[X]/[Y]	12V dc	10-14V dc	25mA*	79.5mA	100.0 @ 1m 91.0 @ 3m	99.0 @ 1m 90.0 @ 3m
SONFL1HDC024...[X]/[Y]	24V dc	20-28V dc	25mA*	87mA		
SONFL1HAC115...[X]/[Y]	115V ac 50/60Hz	+/- 10%	27mA	34mA		
SONFL1HAC230...[X]/[Y]	230V ac 50/60Hz	+/- 10%	39mA	19mA		

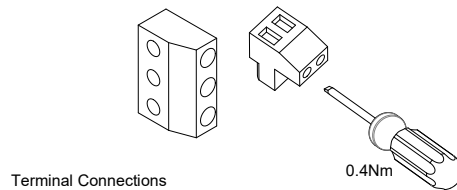
*Current at nominal voltage on Tone 2

[X] Denotes Housing Colour: R = Red; G = Grey; W = White

[Y] Denotes Lens Colour: A = Amber; B = Blue; C = Clear; G = Green; M = Magenta; R = Red; Y = Yellow



Use suitable conduit or cable glands with suitable IP or type rating



Terminal Connections

0.4Nm

Attention: Installation must be carried out by an electrician in compliance with the latest codes and regulations.
Attention: L'installation doit être effectuée par un électricien conformément aux derniers codes et réglementations.
Achtung: Die Installation muss von einem Elektriker gemäß den neuesten Vorschriften und Bestimmungen durchgeführt werden.



Attenzione: L'installazione deve essere eseguita da un elettricista in conformità con i codici e le normative più recenti.

Atención: La instalación debe ser realizada por un electricista de acuerdo con los últimos códigos y regulaciones.

Atenção: A instalação deve ser realizada por um eletricitista de acordo com os códigos e regulamentos mais recentes.

Внимание: установка должна выполняться электриком в соответствии с последними нормами и правилами.

Attention: Disconnect from power source before installation or service to prevent electric shock



Attention: Débranchez-le de la source d'alimentation avant l'installation ou l'entretien pour éviter tout choc électrique.

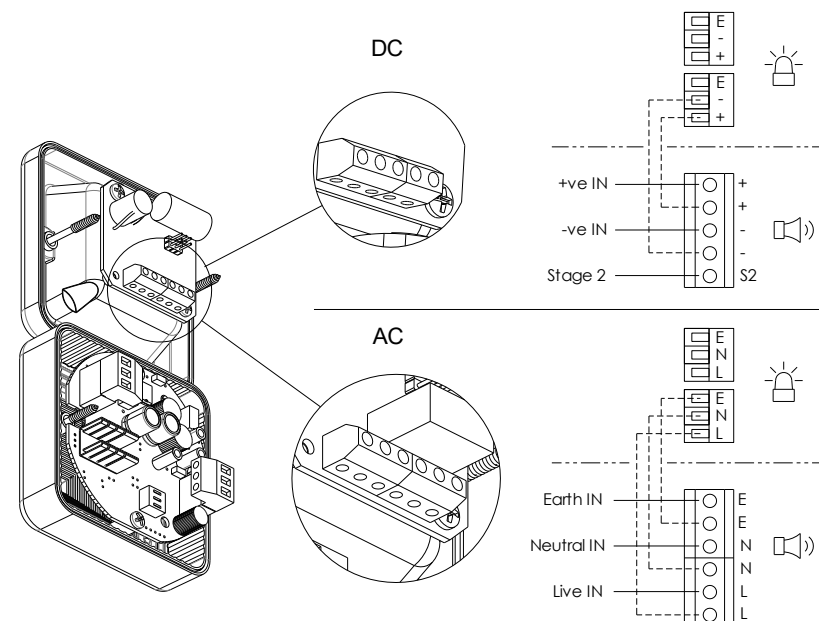
Achtung: Vor Installation oder Wartung von der Stromquelle trennen, um einen Stromschlag zu vermeiden.

Attenzione: scollegare dall'alimentazione prima dell'installazione o dell'assistenza per evitare scosse elettriche.

Atención: desconéctelo de la fuente de alimentación antes de la instalación o el servicio para evitar descargas eléctricas.

Atenção: Desconecte da fonte de alimentação antes da instalação ou serviço para evitar choque elétrico

No liability is accepted for any consequences of the use of this document. The technical specification of this unit is subject to change without notice due to our policy of continual product development. All dimensions/weights are approximate. This unit is sold subject to our standard conditions of sale, a copy of which is available on request.



115V AC and 230V AC Tone Table

Stage 1	Tone Description		
1	800/1000 Hz @ 0.25 sec Alternating BS5839 Alarm Tone	99dB(A) @1m	
2	500/1200 Hz @ 0.3 Hz 0.5 sec Slow Whoop NEN 2575:2000	100dB(A) @1m	
3	Sawtooth 1200/500 Hz @ 1 Hz - DIN / PFEER P.T.A.P	99dB(A) @1m	
4	544Hz (100mS)/440 Hz (400mS) AFNOR NF S 32-001	97dB(A) @1m	
5	Continuous 1000 Hz - PFEER toxic gas	100dB(A) @1m	
6	Simulated Bell Sound	95dB(A) @1m	
7	800/1000 Hz @ 7 Hz Sweeping	99dB(A) @1m	
8	2400/2900 Hz 50 Hz Sweeping	100dB(A) @1m	
9	420 Hz @ 0.625 sec Australian Alert	97dB(A) @1m	
10	500-1200 Hz 3.75 sec / 0.25 sec Australian Evacuation	100dB(A) @1m	

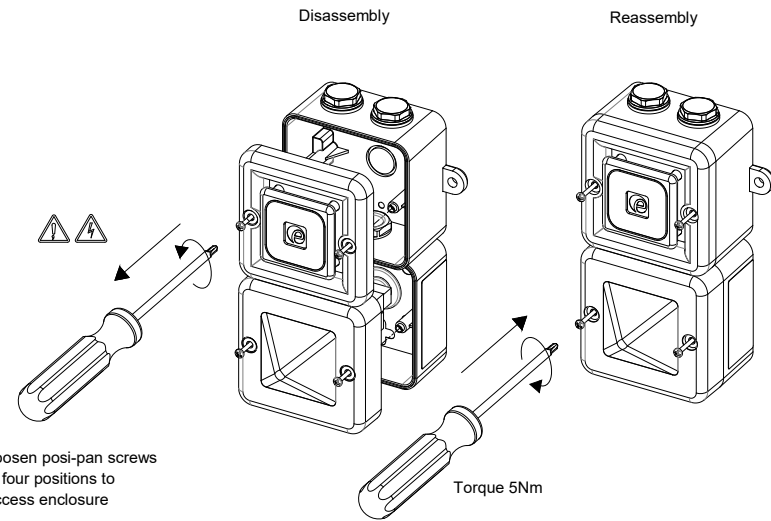
12V DC and 24V DC Tone Table

Stage 1	Tone Description	SONF1 dB@ 1m		Stage 2
1	800/1000 Hz @ 0.25 sec Alternating BS5839 Alarm Tone	99dB(A) @1m		8
2	500/1200 Hz @ 0.3 Hz 0.5 sec Slow Whoop NEN 2575:2000	100dB(A) @1m		1
3	Sawtooth 1200/500 Hz @ 1 Hz - DIN / PFEER P.T.A.P	99dB(A) @1m		8
4	544Hz (100mS)/440 Hz (400mS) AFNOR NF S 32-001	97dB(A) @1m		9
5	Simulated Bell Sound	95dB(A) @1m		1
6	Sweeping 800/1000 Hz @ 7 Hz Sweeping	99dB(A) @1m		8
7	500-1200 Hz 3.75 sec / 0.25 sec Australian Evacuation	100dB(A) @1m		10
8	Continuous 1000 Hz - PFEER toxic gas	100dB(A) @1m		-
9	Continuous 554 Hz	97dB(A) @1m		-
10	420 Hz @ 0.625 sec Australian Alert	97dB(A) @1m		-

	DC Tone Settings	AC Tone Settings
Tone 1		
Tone 2		
Tone 3		
Tone 4		
Tone 5		
Tone 6		
Tone 7		
Tone 8*		
Tone 9*		
Tone 10*		

*To set tones 8, 9 & 10 as first stage on DC, connect terminal 'S2' to '-' terminal

Access to Enclosure



Loosen posi-pan screws in four positions to access enclosure

Torque 5Nm

NOTE: Please check factory settings and ensure the correct alarm tone is selected for your country or application

Tone Selection / Header Pin Setting - Header pin settings are shown in the tone selection table. The links covered by the jumper are shown with a black rectangle.

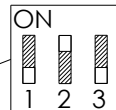
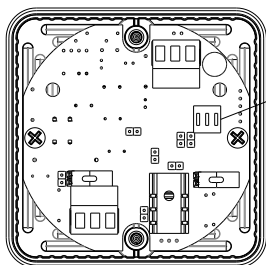
Beacon Flash Settings See D228-00-001-IS

On-axis Light Output Rating per UL1638

Voltage	Intensity (cd) at 1Hz flash rate	Intensity (cd) at 1.5Hz flash rate	Intensity (cd) at 2Hz flash rate
12V dc	5.9	5.97	6.35
24V dc	11.65	12.32	12.38
115V ac	12.99	12.65	14.1
230V ac	13.12	13.22	13.45

Switch Setting	Flash Mode
0 0 0	Steady on
1 0 0	Blinking
0 1 0	Flashing 1Hz*
1 1 0	Flashing 1.5Hz*
0 0 1	Flashing - Double Strike
1 0 1	Flashing - Triple Strike
0 1 1	Flashing 2Hz*
1 1 1	Flashing - Temporal

*Setting permitted for use as private mode fire alarm device



Flash Mode DIP Switch - Shown with 1-OFF, 2-ON, 3-OFF (0 1 0), This denotes Flash mode 1Hz. For further flash modes refer to table.

Mounting See D242-05-501

