

1

# SPECTRA B200LDA

Permanent L.E.D. Array Beacon

9 x High powered L.E.D's

IP Rating: IP65

Temp: -25°C to +50°C

Unit weight: 78g

CE, UKCA



Dimensions : Ø60 x 80mm

2.5mm<sup>2</sup> terminals

Cable entry: 1 x 5-7mm push through grommet

x = Lens colour

R = Red

A = Amber

B = Blue

G = Green

Y = Yellow

Order code

Voltage

B200LDA030B/x 10-30V DC 80mA

B200LDA230B/x 90-230V AC 32mA

Mountings

B200RAB001 Right angle bracket

B200TMA001 Tube mounting assembly

D104-00-001-IS Issue 1

Sheet 1 of 2  
19/01/2023

Tel : +44 (0)20 8743 8880  
www.e2s.com



2



**ATTENTION:** Installation must be carried out by an electrician in compliance with the latest codes and regulations.

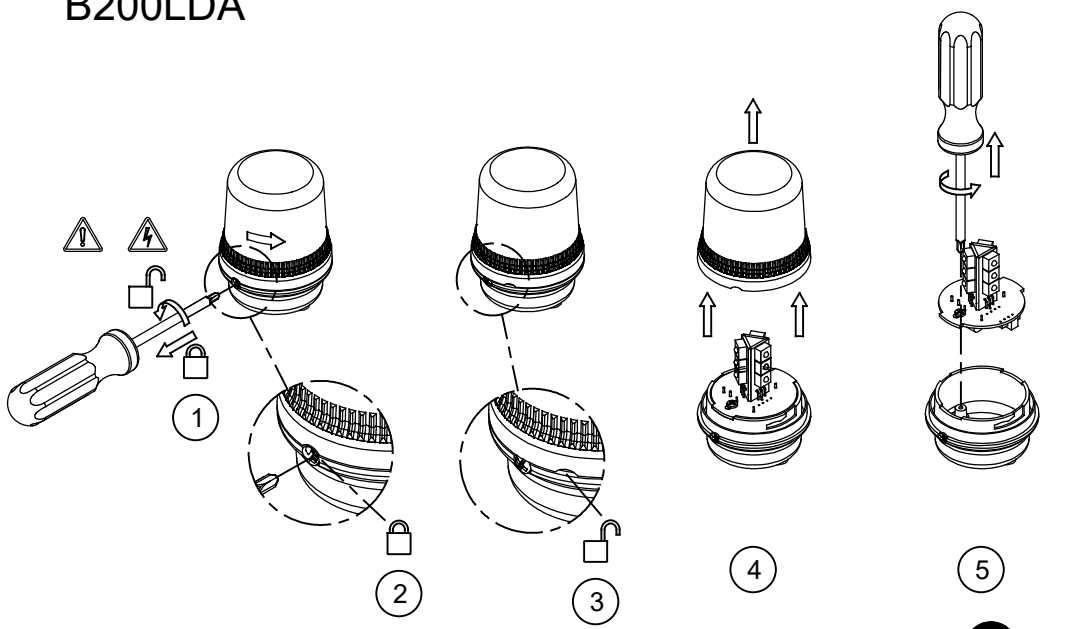


**ATTENTION:** Disconnect from power source before installation or service to prevent electric shock.



**ATTENTION:** Lens on unit will be hot allow to cool prior to removal.

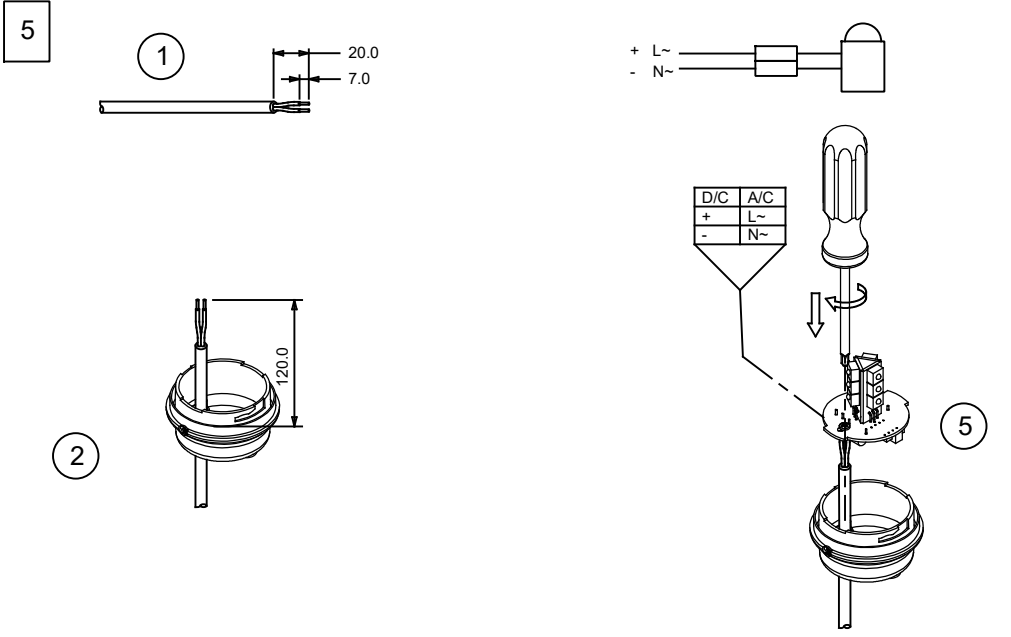
# 3 SPECTRA B200LDA



D104-00-001-IS Issue 1

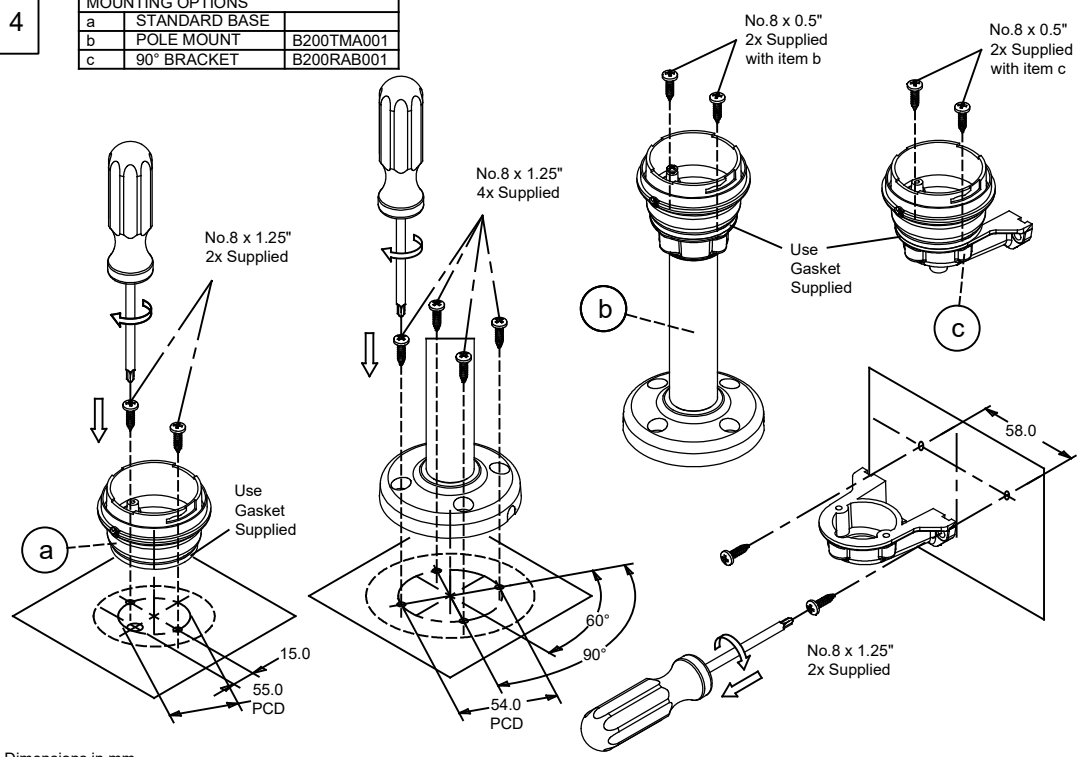
Sheet 2 of 2  
19/01/2023

Tel : +44 (0)20 8743 8880  
www.e2s.com



4

MOUNTING OPTIONS	
a	STANDARD BASE
b	POLE MOUNT B200TMA001
c	90° BRACKET B200RAB001



Dimensions in mm

6

