

1

# SPECTRA B300SND

Sounder  
 100 db(a) Output Sounder  
 3 Tones selectable  
 IP Rating: IP65  
 Temp: -25°C to +50°C  
 Unit weight: 245g  
 CE, UKCA



Dimensions : Ø100 x 103mm  
 1.5mm<sup>2</sup> terminals  
 Cable entry: 1 x 5-7mm push through grommet  
 1 x M20 cable entry ( IP65)

Order code	Voltage	Current
B300SND030G	10-30V DC/AC	24mA (24V dc)
B300SND230G	40-230V DC/AC	15mA (48V ac 50Hz)

Multi-unit connection possible using connector supplied  
 B450 and B350 units are interconnectable

D119-00-001-IS Issue 1

Sheet 1 of 2  
 19/01/2023

Tel : +44 (0)20 8743 8880  
 www.e2s.com

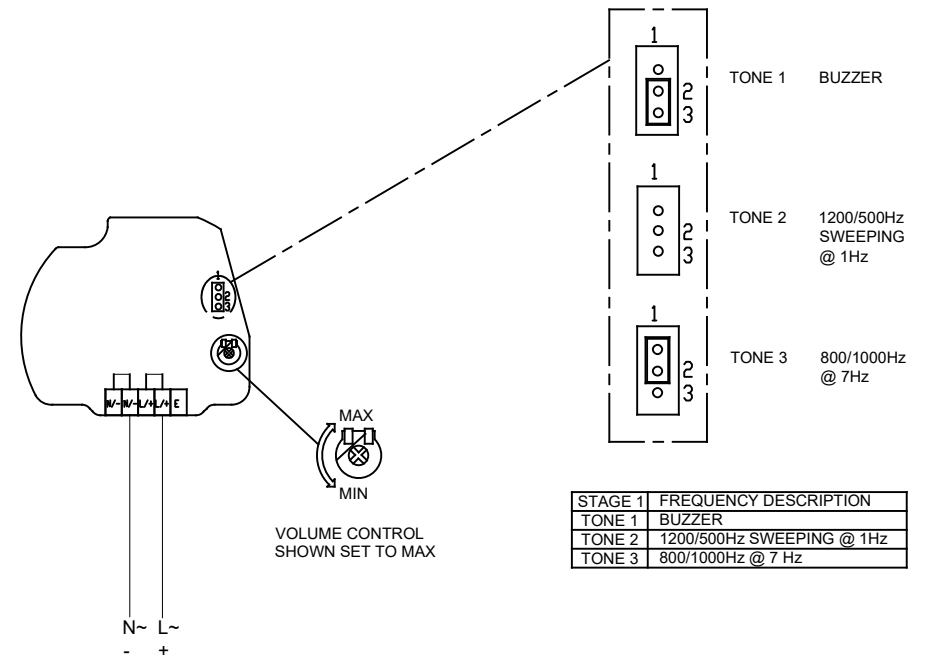


2

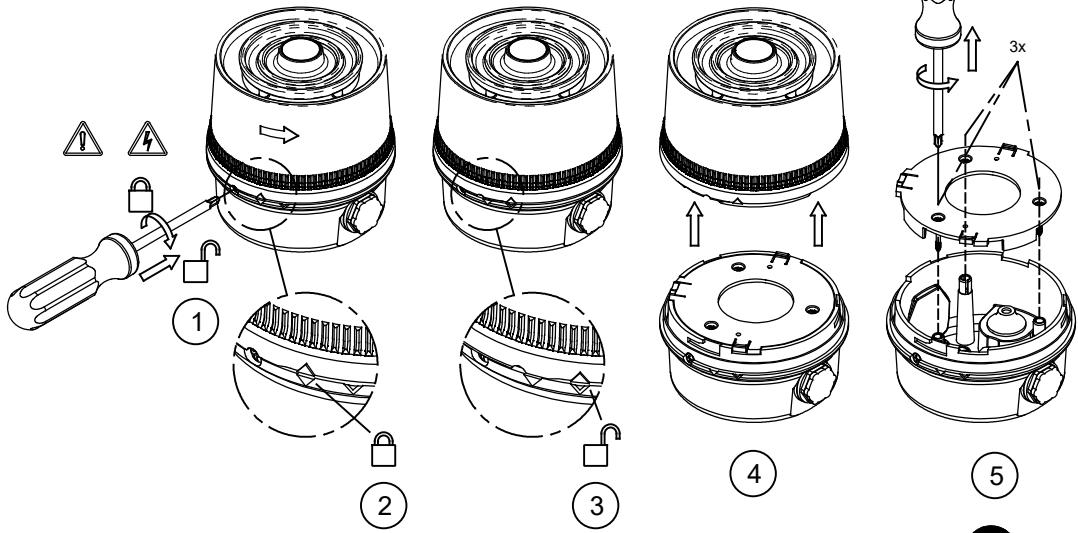
**ATTENTION:** Installation must be carried out by an electrician in compliance with the latest codes and regulations.

**ATTENTION:** Disconnect from power source before installation or service to prevent electric shock.

3



# 4 SPECTRA B300SND



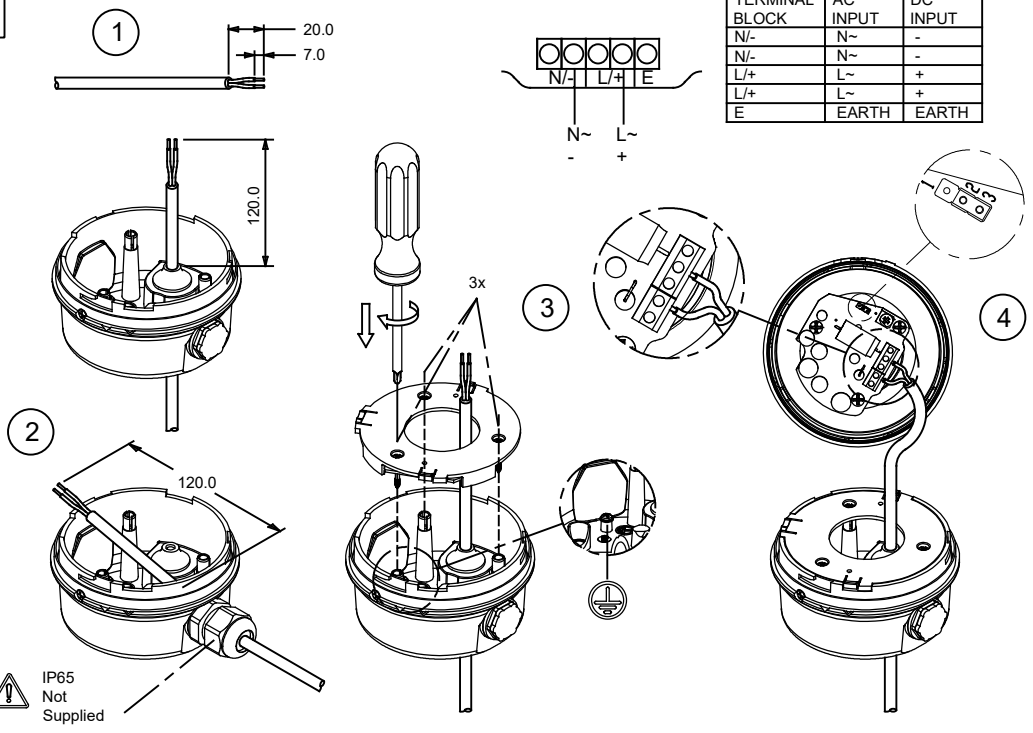
D119-00-001-IS Issue 1

Sheet 2 of 2  
19/01/2023

Tel : +44 (0)20 8743 8880  
www.e2s.com

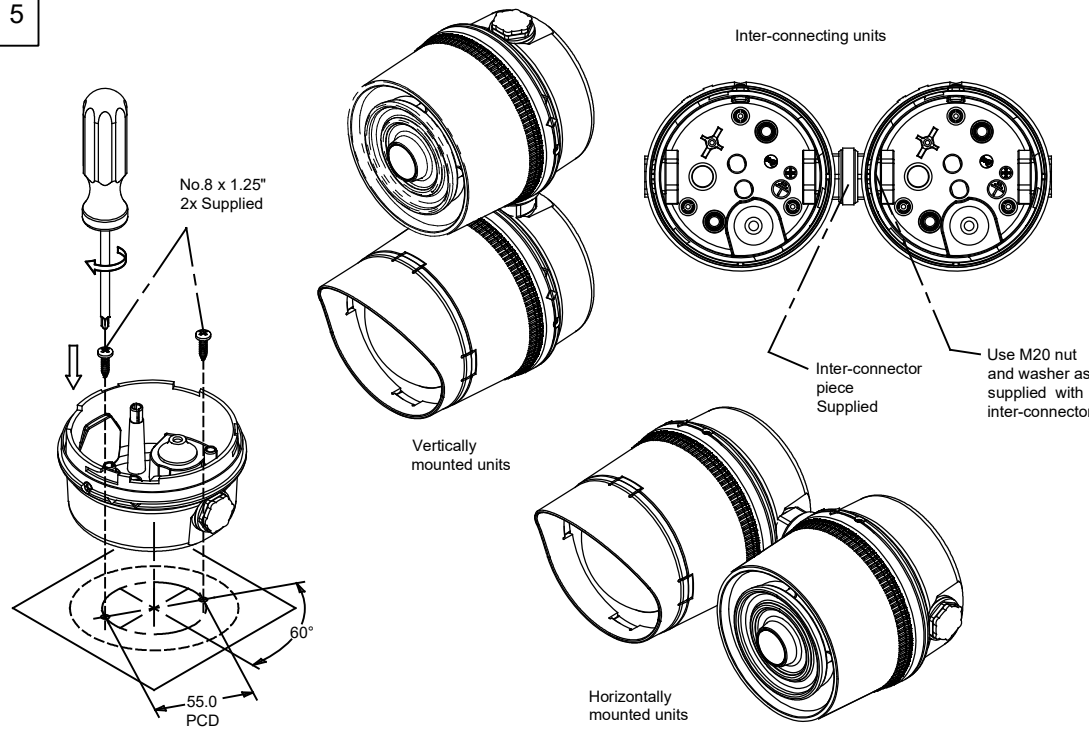


# 6



IP65  
Not  
Supplied

# 5



Dimensions in mm

# 7

