

1

SPECTRA

H110TX

Trumpet Horn Xenon Strobe
 IP Rating: IP65
 Temp: -25°C to +50°C
 Unit weight: 638g
 CE, UKCA



Order code Voltage
 H110TX012G/x 12VDC
 • 12V dc 52mA
 • 12V ac 50Hz 115mA
 • Beacon Current Consumption
 • 12V dc 500mA
 • 12V ac 50Hz 600mA

H110TX024G/x 24VDC
 • 24V dc 105mA
 • 24V ac 50Hz 215mA
 • Beacon Current Consumption
 • 24V dc 250mA
 • 24V ac 50Hz 300mA

H110TX048G/x 48V AC/DC
 • 48V dc 42mA
 • 48V ac 50Hz 68mA
 • Beacon Current Consumption
 • 48V dc 175mA
 • 48V ac 50Hz 250mA

H110TX115G/x 115V AC
 • 115V ac 50/60Hz 36mA
 • Beacon Current Consumption
 • 115V ac 50/60Hz 70mA

H110TX230G/x 230V AC
 • 230V ac 50/60Hz 18mA
 • Beacon Current Consumption
 • 230V ac 50/60Hz 35mA

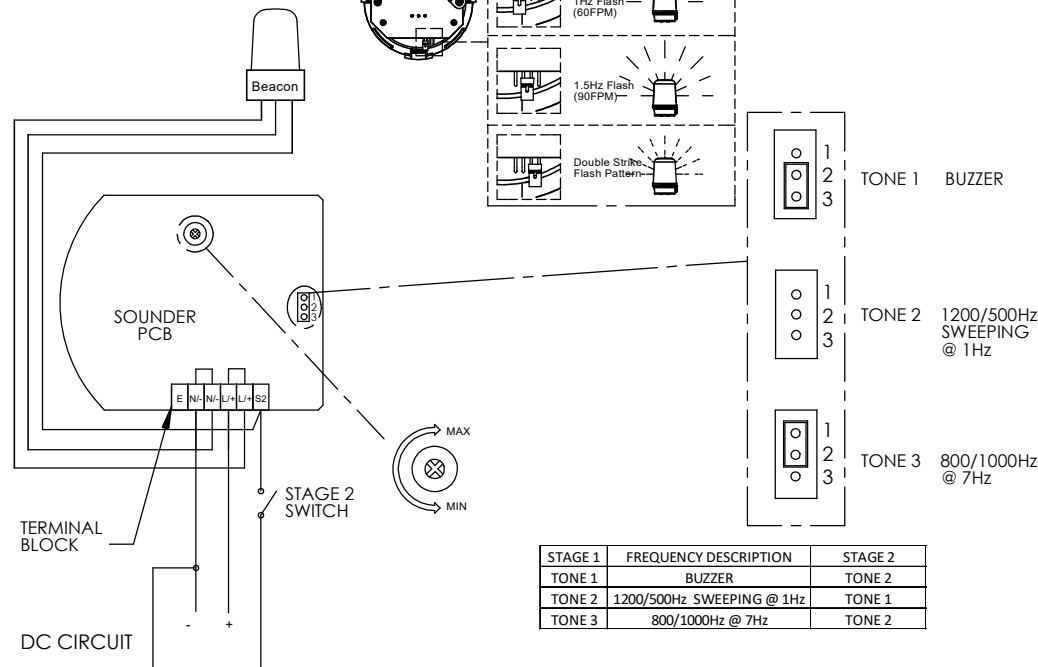
Dimensions : 135 x 462.9mm
 1.5mm² terminals
 Cable entry: 1 x 5-7mm push
 through grommet

Xenon Strobe Flashing Beacon 5J @ 1 Hz
 Three modes (DC Only) : Flashing 1Hz (default)
 Flashing 1.5Hz (DC units Only)
 Double Strike (DC Units Only),
 Stage Switchable to Double Strike (DC Units Only)

x = Lens colour
 R = Red A = Amber
 B = Blue C = Clear
 G = Green Y = Yellow



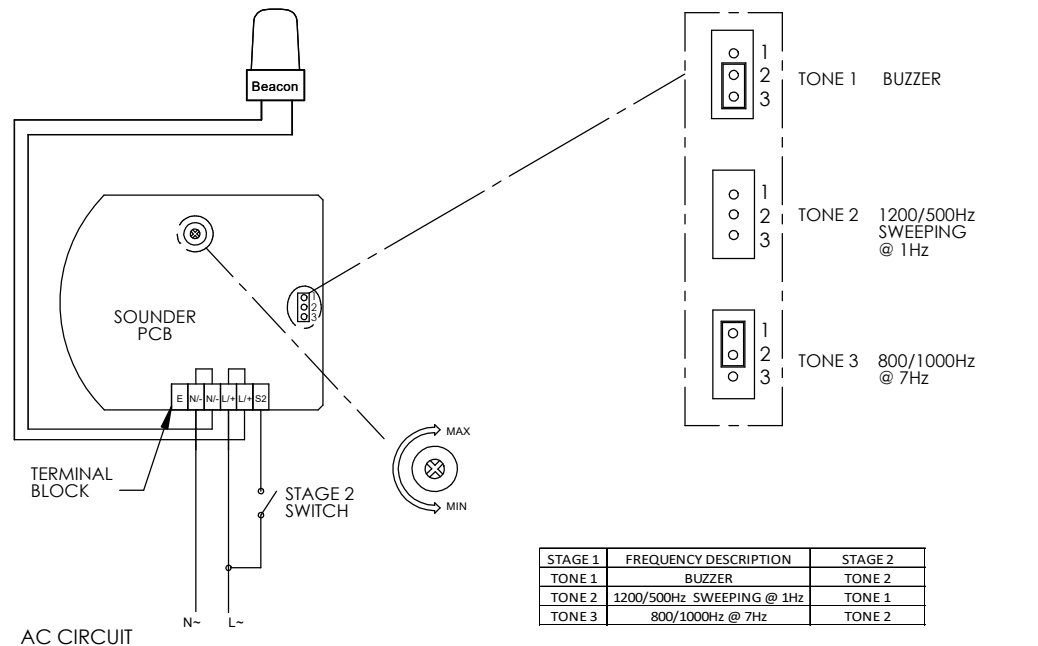
3



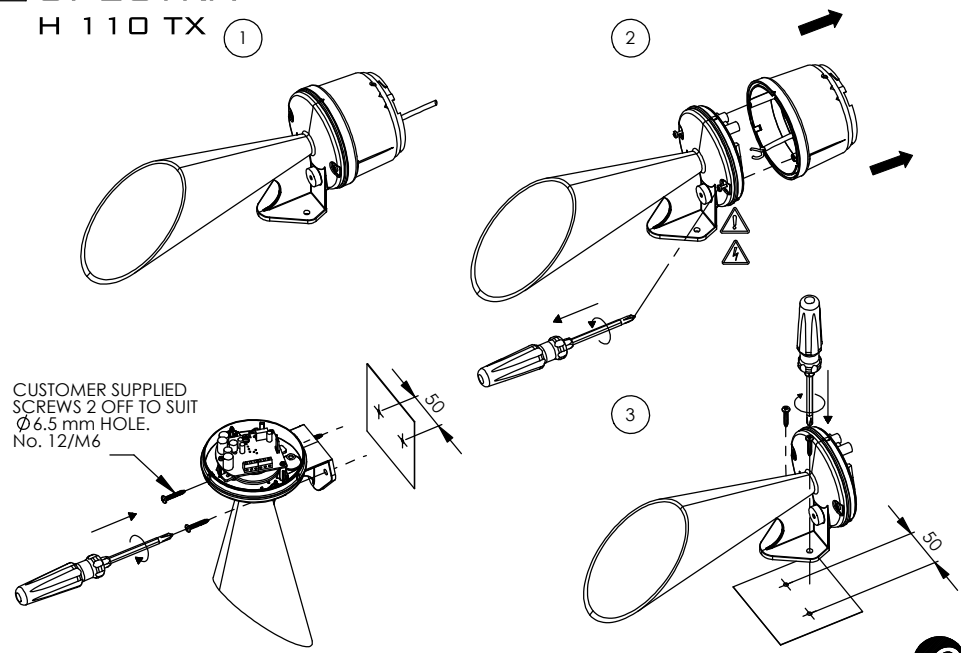
2

- ⚠ ATTENTION:** Installation must be carried out by an electrician in compliance with the latest codes and regulations.
- ⚠ ATTENTION:** Disconnect from power source before installation or service to prevent electric shock.
- ⚠ ATTENTION:** On strobe beacons allow a minimum of 2 minutes for hazardous high voltage to discharge from unit.
- ⚠ ATTENTION:** Lens on unit will be hot allow to cool prior to removal.

4



5 SPECTRA
H 110 TX (1)



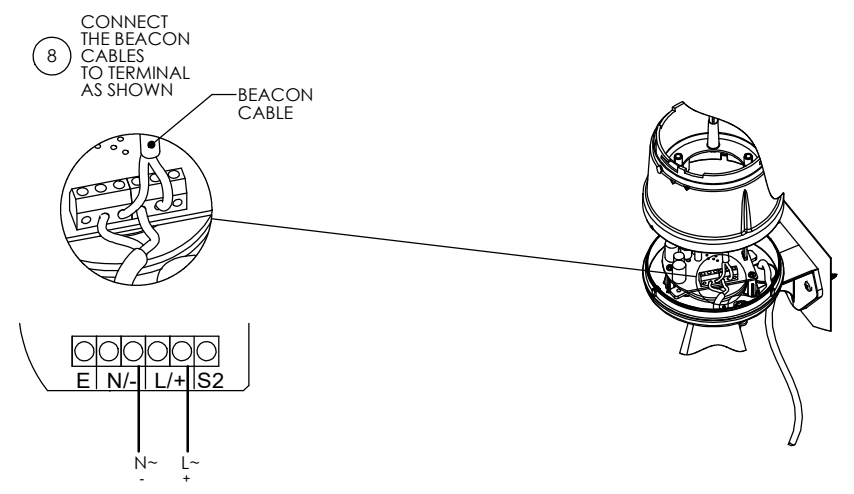
D153-00-101-IS Issue 2

Sheet 2 of 2
07/11/2022

Tel : +44 (0)2 8743 8880
www.e2s.com

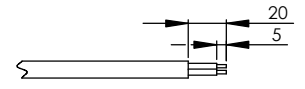


7

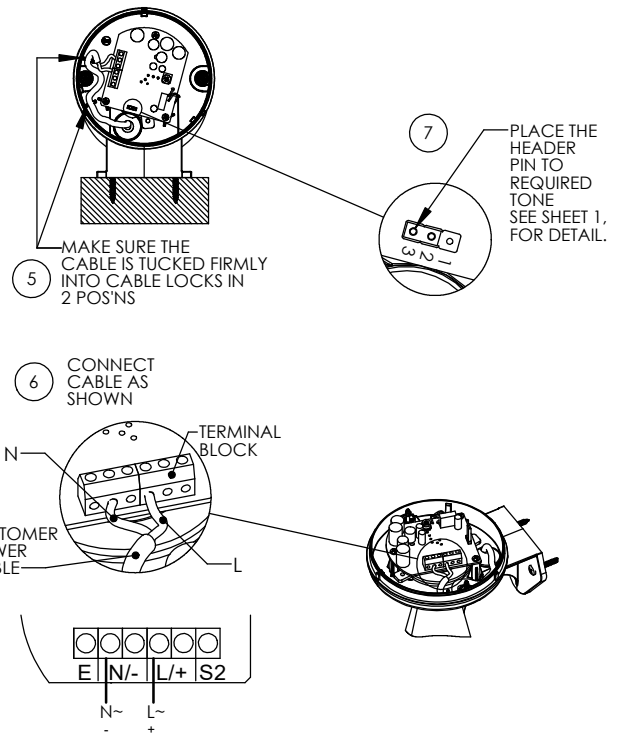
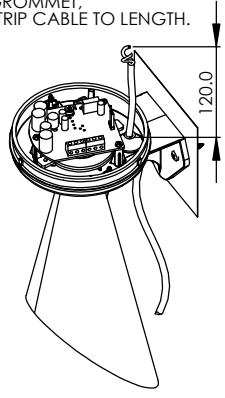


TERMINAL BLOCK	A/C INPUT	D/C INPUT
E		
N/-	N~	-
N/-	N~(FROM BEACON)	-(FROM BEACON)
L/+	L~	+
L/+	L~(FROM BEACON)	+(FROM BEACON)
S2	SWITCH TO L~	SWITCH TO -

6



4 INSERT CABLE THROUGH GROMMET. STRIP CABLE TO LENGTH.



Dimensions in mm

8

