

1

SPECTRA

Trumpet Horn Rotating Beacon
 IP Rating: IP65
 Temp: -25°C to +50°C
 Unit weight: 678g
 CE, UKCA



Order code Voltage
 H110TR012G/x 12VDC
 • 12V dc 52mA
 Beacon Current Consumption
 • 12V dc 1.72A

H110TR024G/x 24VDC
 • 24V dc 105mA
 • Beacon Current Consumption
 • 24V dc 910mA

H110TR115G/x 115V AC
 • 115V ac 50/60Hz 36mA
 • Beacon Current Consumption
 • 115V ac 50/60Hz 216mA

H110TR230G/x 230V AC
 • 230V ac 50/60Hz 18mA
 • Beacon Current Consumption
 • 230V ac 50/60Hz 117mA

H110TR

Dimensions : 135 x 462.9mm
 1.5mm² terminals
 Cable entry: 1 x 5-7mm push through grommet

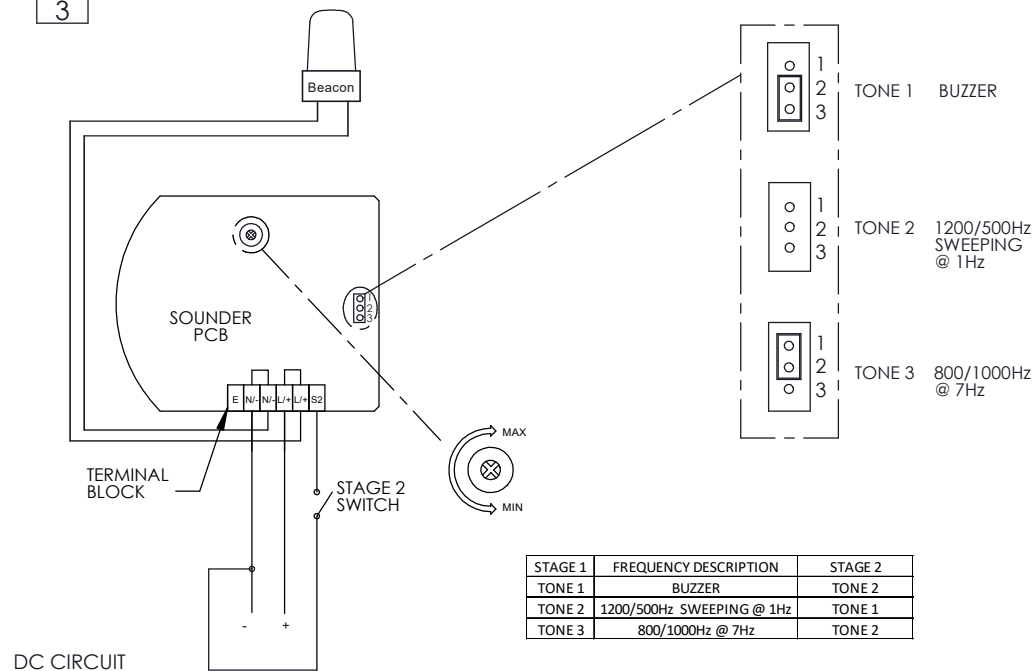
x = Lens colour
 R = Red A = Amber
 B = Blue C = Clear
 G = Green Y = Yellow

Bulb Type G6,35/GY6,35

E2S PART No.	Version	
BJC20W12VCL	12Vdc	20W
BJC20W24VCL	24Vdc	20W
BJCD25W120VCL	115ac	25W
BJCD25W230VCL	230ac	25W



3

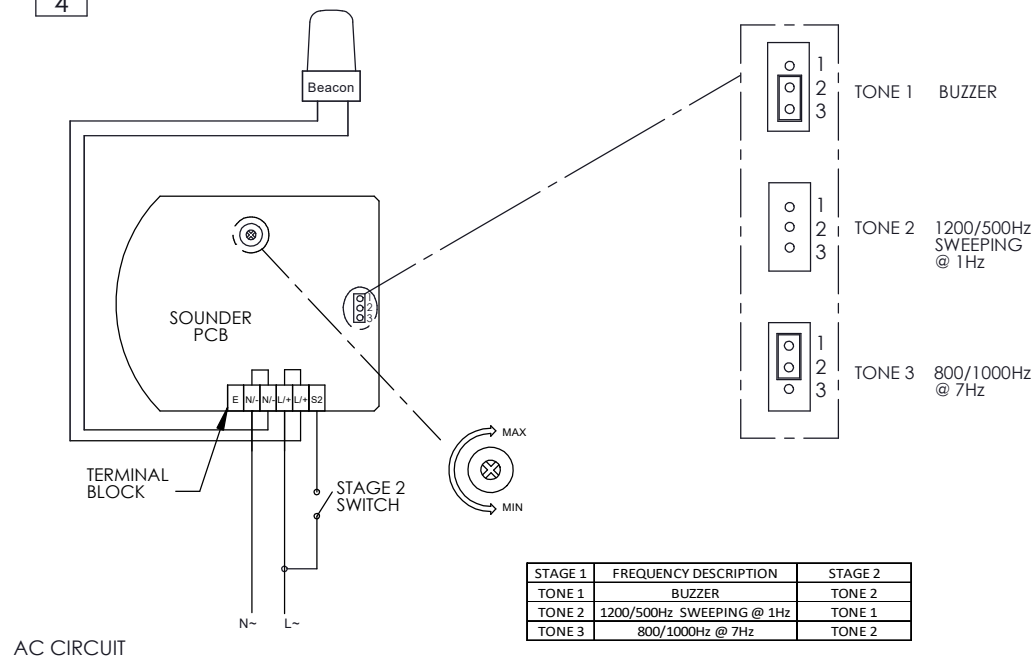


DC CIRCUIT

2

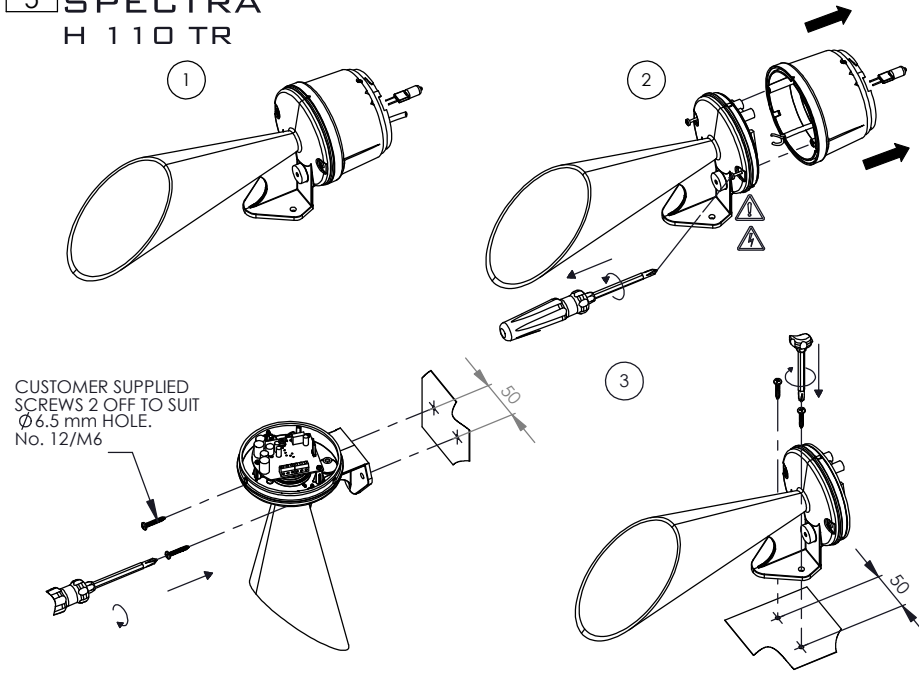
- ⚠ ATTENTION:** Installation must be carried out by an electrician in compliance with the latest codes and regulations.
- ⚠ ATTENTION:** Disconnect from power source before installation or service to prevent electric shock.
- ⚠ ATTENTION:** On strobe beacons allow a minimum of 2 minutes for hazardous high voltage to discharge from unit.
- ⚠ ATTENTION:** Lens on unit will be hot allow to cool prior to removal.

4



AC CIRCUIT

5 SPECTRA H 110 TR



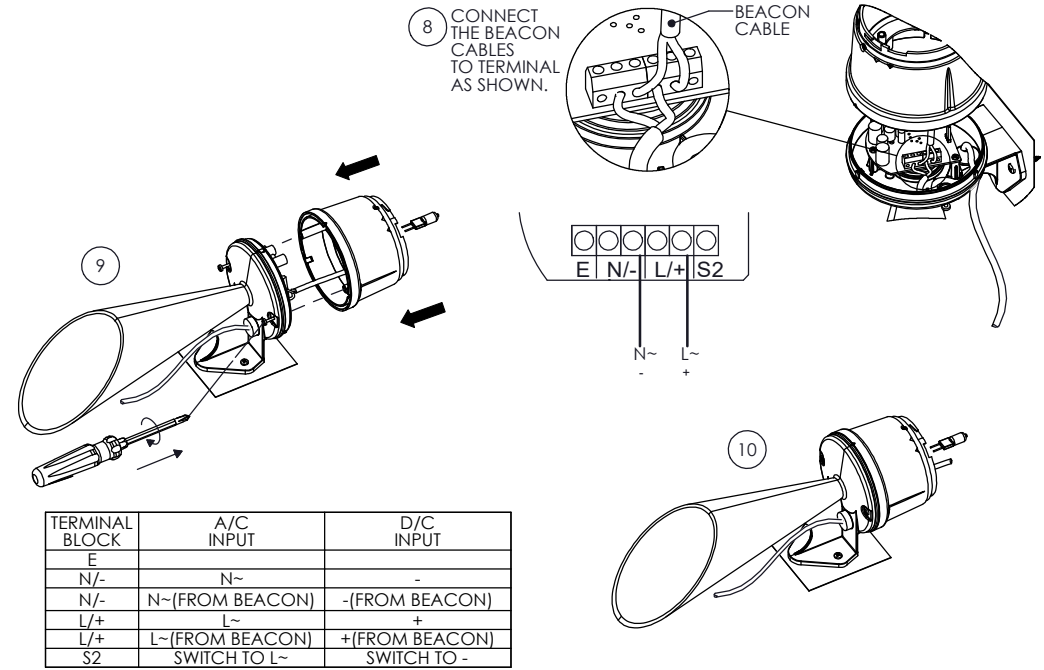
D153-00-301-IS Issue 1

Sheet 2 of 2
19/01/2023

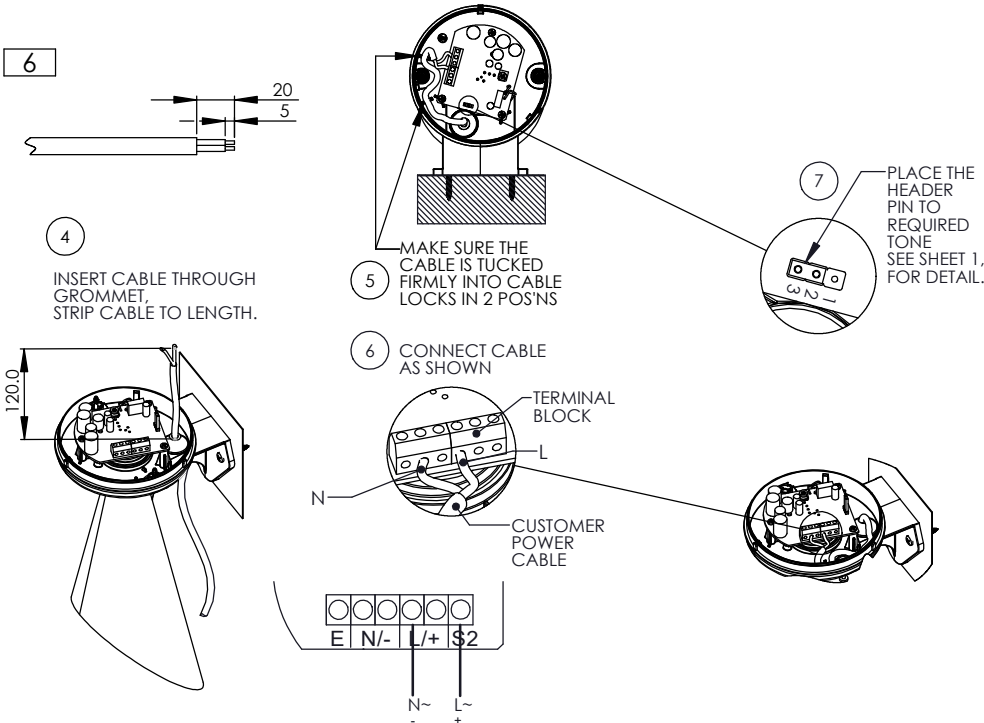
Tel : +44 (0)2 8743 8880
www.e2s.com



7



6



Dimensions in mm

8

BULB REPLACEMENT

