

1

# SPECTRA

Trumpet Horn LED Array  
 IP Rating: IP65  
 Temp: -25 °C to +50 °C  
 Unit weight: 215g  
 CE, UKCA

Order code Voltage  
 H100TL030G/x 12-30V DC  
 • 12V dc 10mA  
 • 24V dc 24mA

• Beacon Current Consumption  
 • 12V dc 74mA  
 • 24V dc 80mA

H100TL230G/x 90-260V AC  
 • 115V ac 50/60Hz 19mA  
 • 230V ac 50/60Hz 10mA

• Beacon Current Consumption  
 • 115V ac 50/60Hz 119mA  
 • 230V ac 50/60Hz 32mA



D152-00-201-IS Issue 2

Sheet 1 of 2  
 19/01/2022

Tel : +44 (0)2 8743 8880  
 www.e2s.com

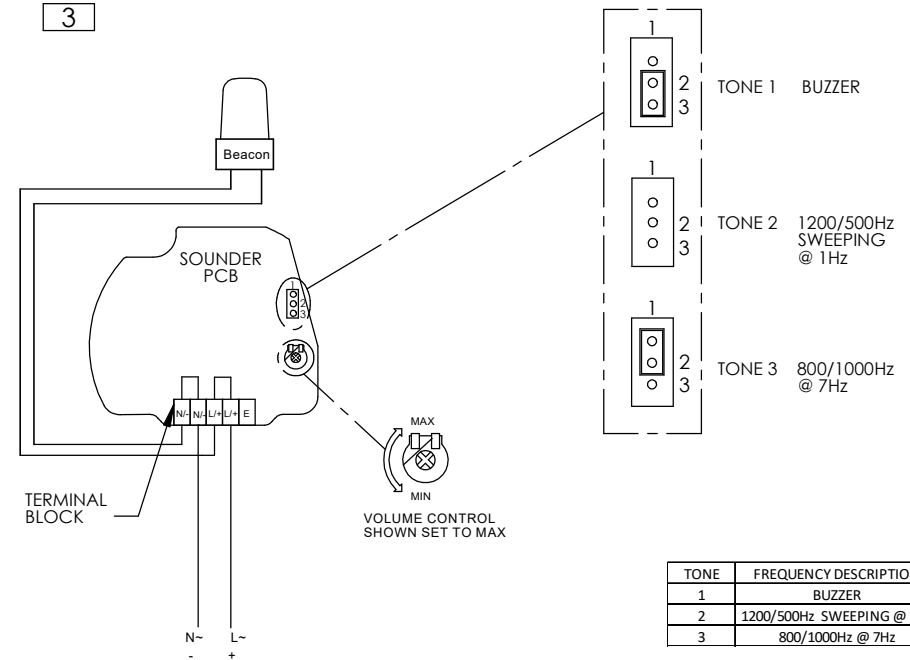


# H100 TL

Dimensions :  $\varnothing 85 \times 241.2\text{mm}$   
 1.5mm<sup>2</sup> terminals  
 Cable entry: 1 x 5-7mm push  
 through grommet

x = Lens colour  
 R = Red  
 A = Amber  
 B = Blue  
 G = Green  
 Y = Yellow

3

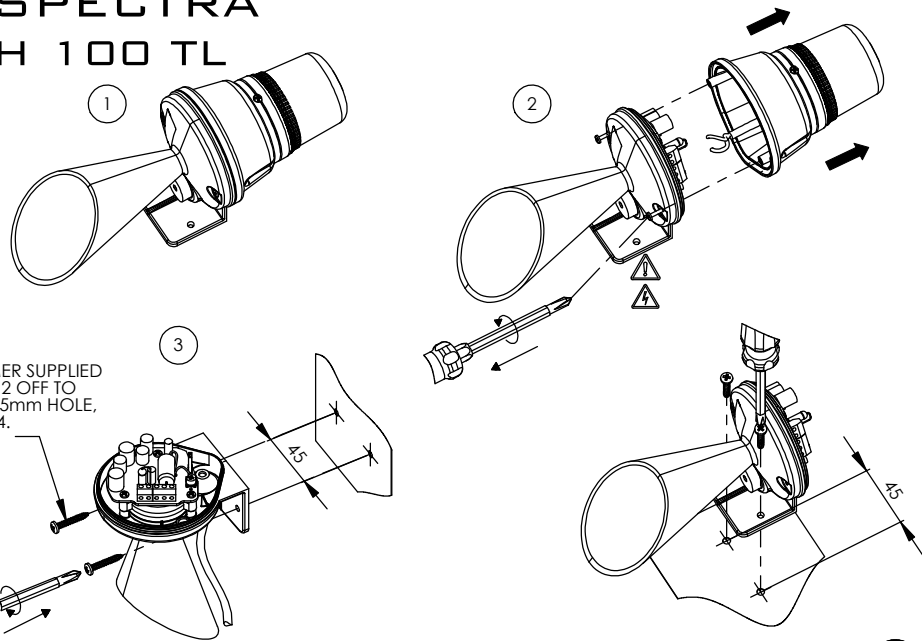


2

- ⚠ ATTENTION:** Installation must be carried out by an electrician in compliance with the latest codes and regulations.
- ⚠ ATTENTION:** Disconnect from power source before installation or service to prevent electric shock.
- ⚠ ATTENTION:** On strobe beacons allow a minimum of 2 minutes for hazardous high voltage to discharge from unit.
- ⚠ ATTENTION:** Lens on unit will be hot allow to cool prior to removal.

4

# 5 SPECTRA H 100 TL



CUSTOMER SUPPLIED  
SCREWS 2 OFF TO  
SUIT Ø4.5mm HOLE,  
No. 8/M4.

D152-00-201-IS Issue 2

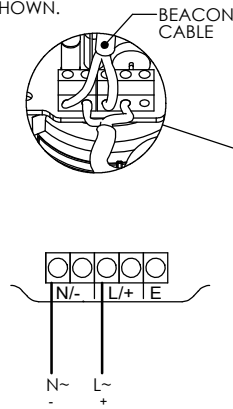
Sheet 2 of 2  
19/01/2022

Tel : +44 (0)2 8743 8880  
www.e2s.com



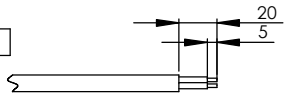
7

8 CONNECT THE  
BEACON CABLES  
TO TERMINAL AS  
SHOWN.

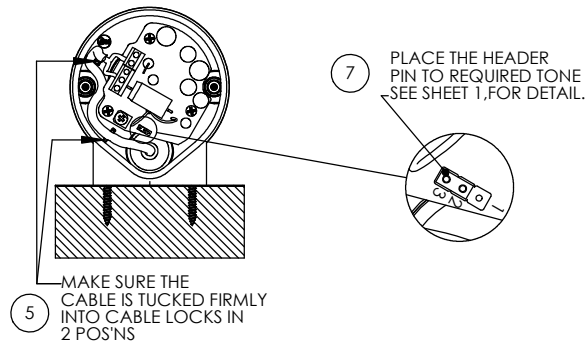
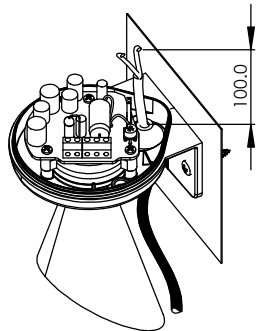


TERMINAL BLOCK	A/C INPUT	D/C INPUT
N/-	N~	-
N/-	N~(FROM BEACON)	-(FROM BEACON)
L/+	L~	+
L/+	L~(FROM BEACON)	+(FROM BEACON)
E		

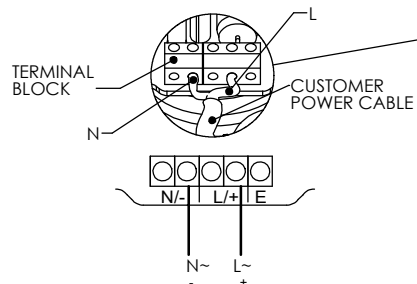
6



4 INSERT CABLE  
THROUGH GROMMET,  
STRIP CABLE TO LENGTH.



6 CONNECT  
CABLE AS  
SHOWN



Dimensions in mm

8

