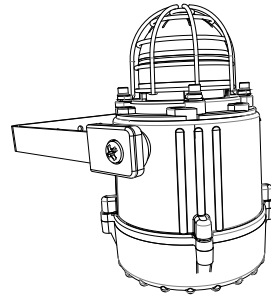
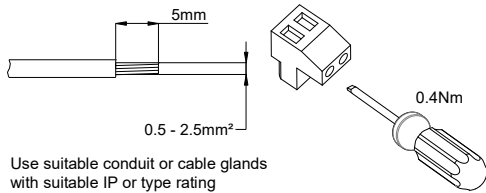


- IP67/66 & Type 4/4X/13
- -40°C to +55°C (-40°F to +131°F)
- 1.6Kg (3.5lb);
- CE, UKCA, EAC & Russian Maritime Register approved



Unit Type Code	Nominal Voltage	Voltage Range	Nominal Current
MBX21DC024	24 Vdc	20-28 Vdc	1200mA
MBX21DC048	48 Vdc	42-54 Vdc	600mA
MBX21AC115	115 Vac	115 Vac ±10% 50/60Hz	500mA
MBX21AC230	230 Vac	230 Vac ±10% 50/60Hz	280mA



Attention: Installation must be carried out by an electrician in compliance with the latest codes and regulations.

Attention: L'installation doit être effectuée par un électricien conformément aux derniers codes et réglementations.

Achtung: Die Installation muss von einem Elektriker gemäß den neuesten Vorschriften und Bestimmungen durchgeführt werden.

Attenzione: L'installazione deve essere eseguita da un elettricista in conformità con i codici e le normative più recenti.

Atención: La instalación debe ser realizada por un electricista de acuerdo con los últimos códigos y regulaciones.

Atenção: A instalação deve ser realizada por um electricista de acordo com os códigos e regulamentos mais recentes.

Внимание: установка должна выполняться электриком в соответствии с последними нормами и правилами.

— Attention: Disconnect from power source before installation or service to prevent electric shock

Attention: Débranchez-le de la source d'alimentation avant l'installation ou l'entretien pour éviter tout choc électrique.

Achtung: Vor Installation oder Wartung von der Stromquelle trennen, um einen Stromschlag zu vermeiden.

Attenzione: scollegare dall'alimentazione prima dell'installazione o dell'assistenza per evitare scosse elettriche.

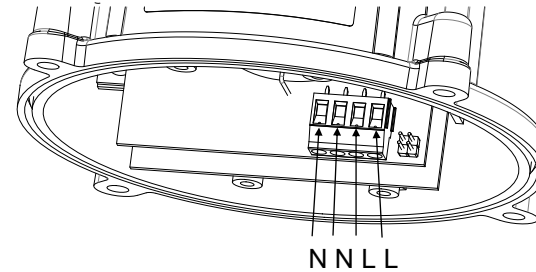
Atención: desconéctelo de la fuente de alimentación antes de la instalación o el servicio para evitar descargas eléctricas.

Atenção: Desconecte da fonte de alimentação antes da instalação ou serviço para evitar choque elétrico

Внимание: отключите от источника питания перед установкой или обслуживанием, чтобы предотвратить поражение электрическим током.

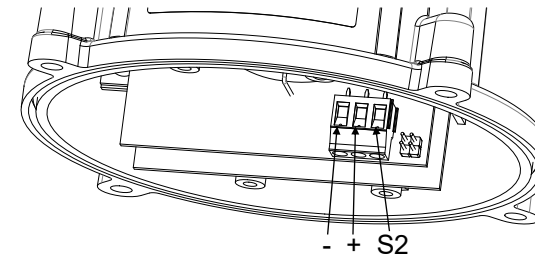
AC

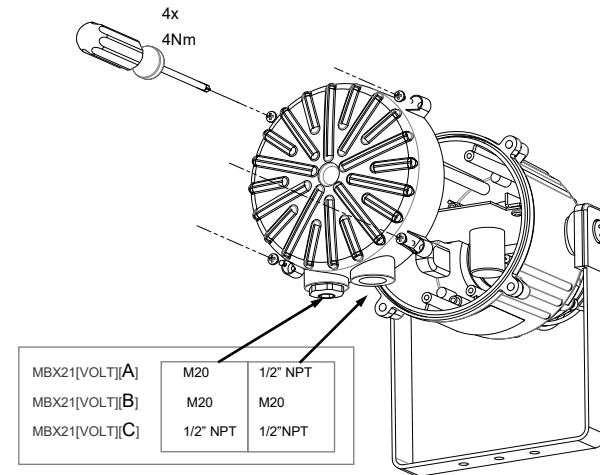
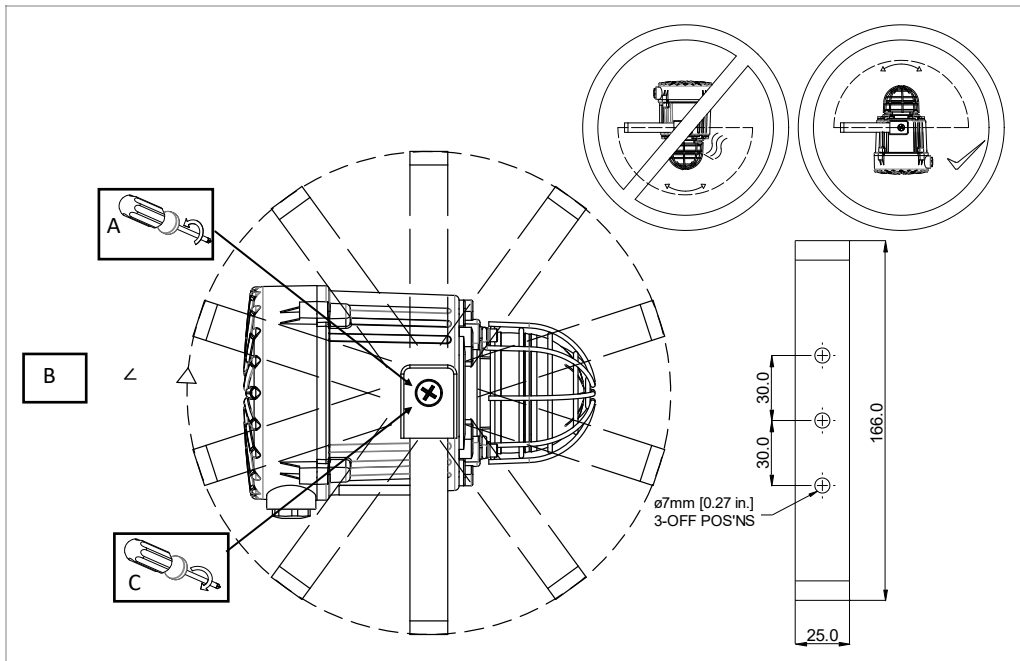
See D207-06-205



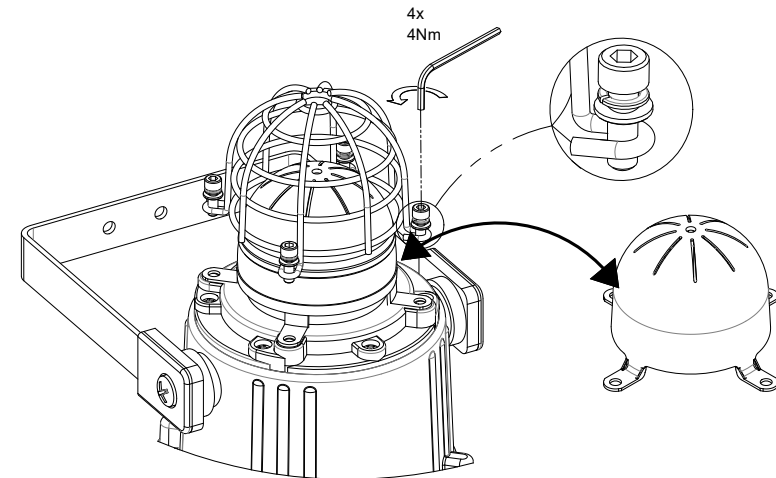
DC

See D207-06-221



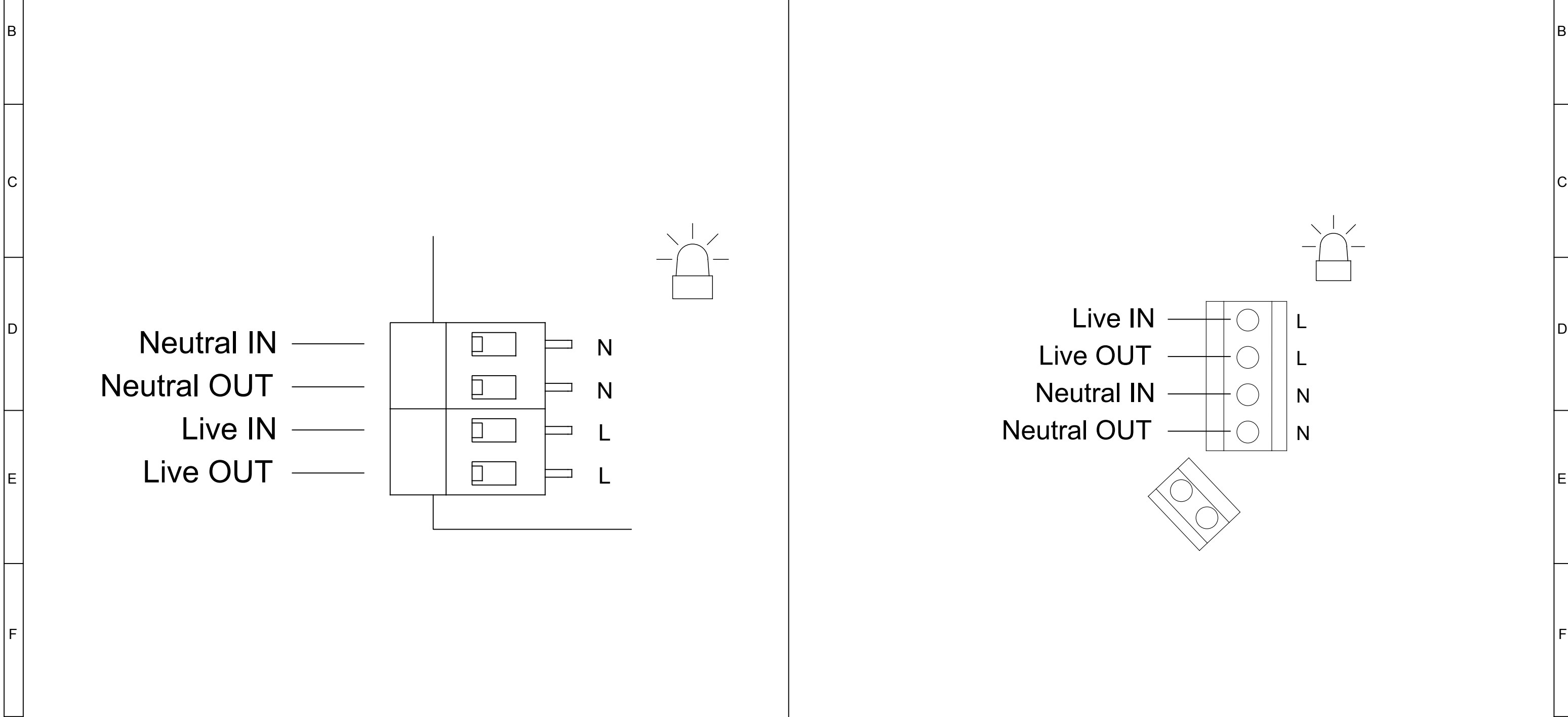


S1	1Hz	500ms	100ms ~1Hz
S2 (DC ONLY)	500ms	1Hz	1Hz



1	2	3	4	5	6	7	8	9	10
							ISSUE	MOD No.	REASON - INITIAL - DATE
							A		INTRODUCTION RSR - 05/03/2021

MBX05/MBX10 Xenon Beacon /MCBX05X05 Dual Primary Xenon Beacon Std. Config. Config.: 1	MCBX05X05 Dual Secondary Xenon Beacon Standard Configuration Config.: 1
Power: Live & Neutral	Power: Live & Neutral

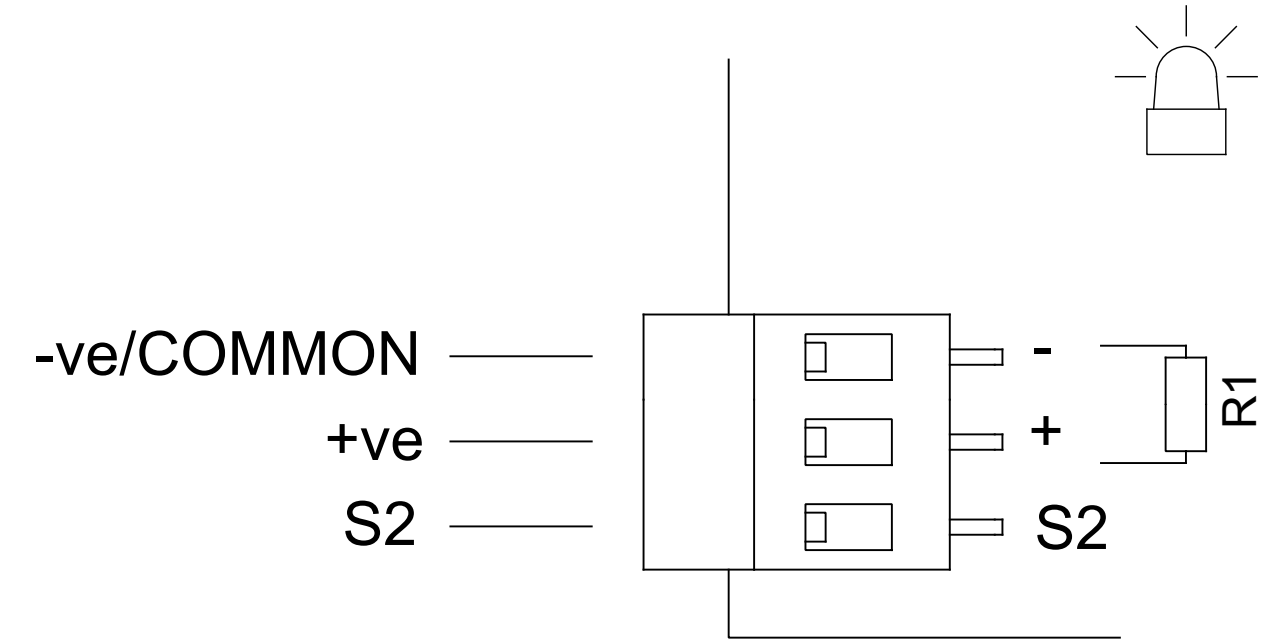


DRAWING TO BS8888:2000 GEOMETRIC TOLERANCES TO ISO1101:1983 LINEAR DIMENSIONAL TOLS ANGULAR DIMENSIONAL TOLS	DRAWN R.S.RAIT	DATE 05/03/2021	SURFACE FINISH	WEIGHT (Kg)	THIS DRAWING AND ANY INFORMATION OR DESCRIPTIVE MATTER THEREIN IS COMMUNICATED IN CONFIDENCE AND IS THE COPYRIGHT PROPERTY OF EUROPEAN SAFETY SYSTEMS LTD. NEITHER THE WHOLE OR ANY EXTRACT MAY BE DISCLOSED, LOANED, COPIED OR USED FOR MANUFACTURING OR TENDERING PURPOSES WITHOUT THEIR WRITTEN CONSENT.	 EUROPEAN SAFETY SYSTEMS LTD IMPRESS HOUSE MANSELL ROAD ACTON LONDON W3 7QH WWW.E2S.COM	ALL DIMENSIONS IN MM IF IN DOUBT, ASK - DO NOT SCALE		A3	
	CHECKED B.ISARD	DATE 05/03/2021	MATERIAL				TITLE MBX05, MBX10 & MBX21 AC XENON BEACONS & MCBX05X05 AC DUAL XENON BEACONS WIRING DIAGRAMS	SCALE NTS	SHEET 1 OF 1	DRAWING NUMBER D207-06-205
	STANDARDS M RANGE	APPROVED R.N.POTTS	DATE 05/03/2021	ALTERNATIVE MATERIAL			EUROPEAN SAFETY SYSTEMS LTD. AS PER LATEST DATE OF ISSUE SHOWN ABOVE			

ISSUE	MOD No.	REASON - INITIAL - DATE
A		INTRODUCTION RSR - 05/03/2021

OPTIONAL LINE MONITORING RESISTOR, CUSTOMER SUPPLIED,
 RECOMMENDED MINIMUM VALUES:
 14V MAX SYSTEM = 120Ω MIN, 2W MIN OR 1KΩ MIN, 0.5W MIN
 28V MAX SYSTEM = 470Ω MIN, 2W MIN OR 2.4KΩ MIN, 0.5W MIN

A		Config.:1	
B	Standard Configuration		
	Line Monitoring		
	Stage 1: Apply Power to +ve & -ve/Common		
	Stage 2: Apply Power to +ve & -ve/Common & connect Stage 2 to -ve/Common		



DRAWING TO BS8888:2000
 GEOMETRIC TOLERANCES TO ISO1101:1983
 LINEAR DIMENSIONAL TOLS
 ANGULAR DIMENSIONAL TOLS

STANDARDS
 M RANGE

DRAWN	R.S.RAIT	DATE	05/03/2021
CHECKED	B.ISARD	DATE	05/03/2021
APPROVED	R.N.POTTS	DATE	05/03/2021

SURFACE FINISH	WEIGHT (Kg)
MATERIAL	
ALTERNATIVE MATERIAL	

THIS DRAWING AND ANY INFORMATION OR DESCRIPTIVE MATTER THEREIN IS COMMUNICATED IN CONFIDENCE AND IS THE COPYRIGHT PROPERTY OF EUROPEAN SAFETY SYSTEMS LTD. NEITHER THE WHOLE OR ANY EXTRACT MAY BE DISCLOSED, LOANED, COPIED OR USED FOR MANUFACTURING OR TENDERING PURPOSES WITHOUT THEIR WRITTEN CONSENT.

© EUROPEAN SAFETY SYSTEMS LTD.
 AS PER LATEST DATE OF ISSUE SHOWN ABOVE

E2S
warning signals

EUROPEAN SAFETY SYSTEMS LTD
 IMPRESS HOUSE
 MANSELL ROAD
 ACTON
 LONDON W3 7QH
 WWW.E2S.COM

ALL DIMENSIONS IN MM IF IN DOUBT, ASK - DO NOT SCALE		A3
TITLE MBX21 DC XENON BEACON WIRING DIAGRAM		
SCALE NTS	SHEET 1 OF 1	DRAWING NUMBER D207-06-221