

# SIL2 RELAY MONITORING

**E2S PART NO**  
**D1x[C3][N2][XX][XXX]...[S]**  
**PRODUCT VERSION 'S'**

**DESCRIPTION**  
**D1xC3 STACK**  
**BEACON & ALARM HORN**

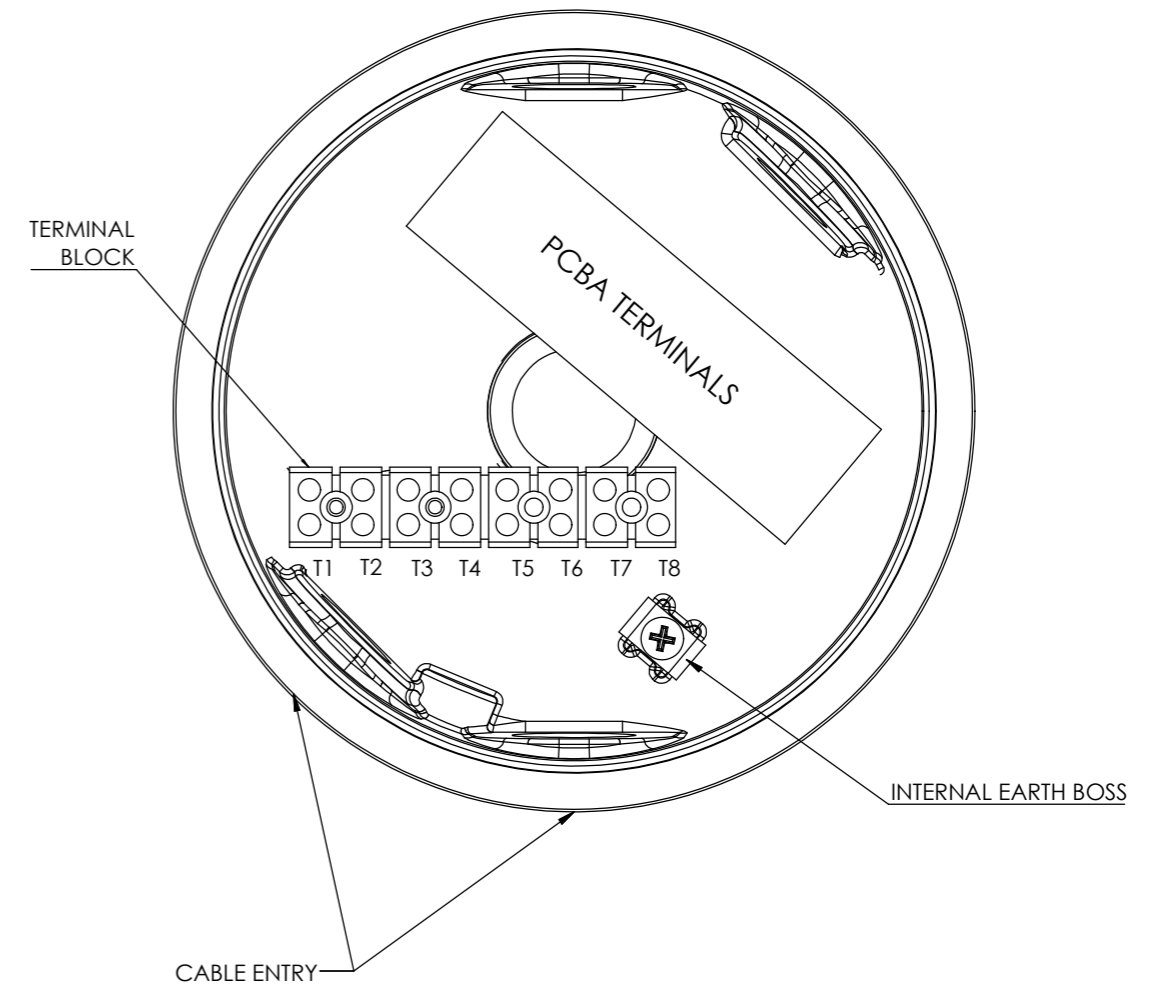
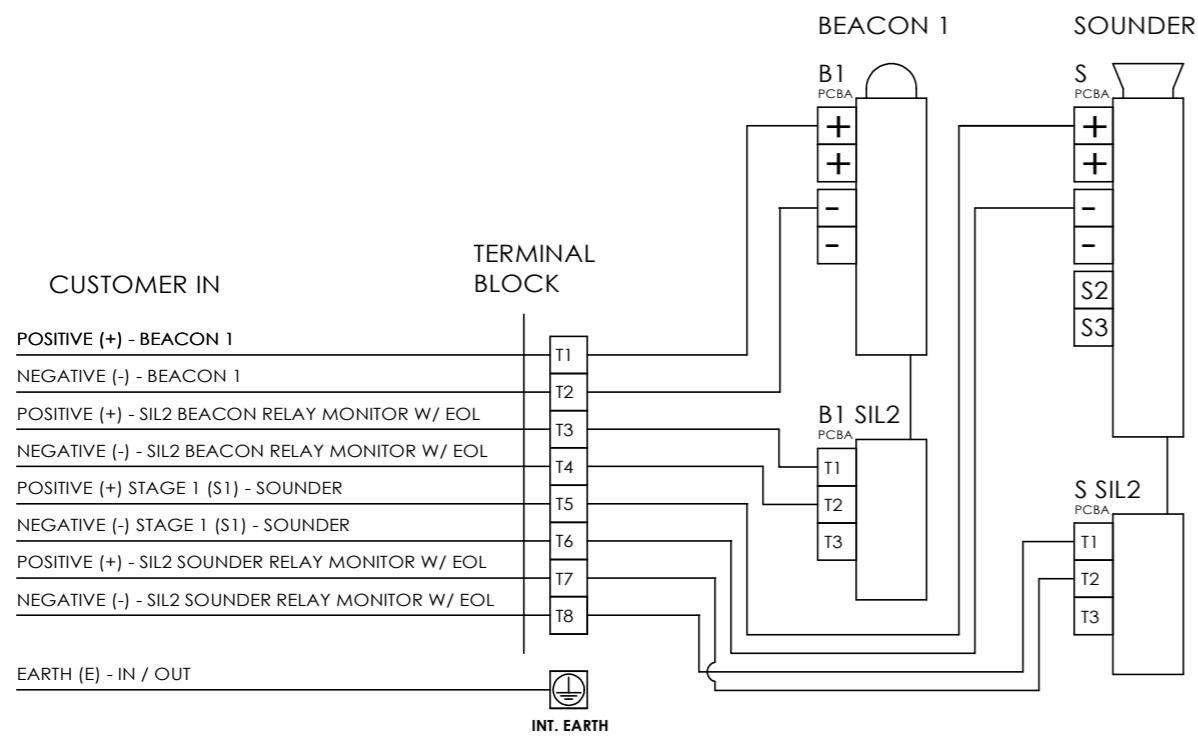
**DATA REFERENCE**  
**1-26-080**

ISSUE	MOD No.	REASON - INITIAL - DATE
1		INTRO DAH 20-04-2023

## CONFIG. 1

DC VOLTAGE SUPPLY  
 SIL 2 RELAY MONITORING (4-WIRE) WITH INDEPENDENT CONNECTIONS TO ALL SIGNALS

## ENTRY TERMINALS



DRAWING TO BS8888:2000 GEOMETRIC TOLERANCES TO ISO1101:1983 LINEAR DIMENSIONAL TOLS ANGULAR DIMENSIONAL TOLS	DRAWN D.HOWGILL	DATE 20-04-2023	SURFACE FINISH FINISH	WEIGHT (kg)	THIS DRAWING AND ANY INFORMATION OR DESCRIPTIVE MATTER THEREIN IS COMMUNICATED IN CONFIDENCE AND IS THE COPYRIGHT PROPERTY OF EUROPEAN SAFETY SYSTEMS LTD. NEITHER THE WHOLE OR ANY EXTRACT MAY BE DISCLOSED, LOANED, COPIED OR USED FOR MANUFACTURING OR TENDERING PURPOSES WITHOUT THEIR WRITTEN CONSENT.	 EUROPEAN SAFETY SYSTEMS LTD IMPRESS HOUSE MANSELL ROAD ACTON LONDON W3 7QH WWW.E2S.COM	ALL DIMENSIONS IN MM IF IN DOUBT, ASK - DO NOT SCALE	 <b>A2</b>
	CHECKED R.N.POTTS	DATE 20-04-2023	MATERIAL	TITLE D1xC3 STACK - BEACON & ALARM HORN SCHEMATIC - SIL2 RELAY MONITORING				
	APPROVED R.N.POTTS	DATE 20-04-2023	ALTERNATIVE MATERIAL	SCALE NTS			SHEET 1 OF 1	