

RELAY/ TELEPHONE INITIATION

E2S PART NO
D1x[C3][J2][XX][XXX]...[T]

PRODUCT VERSION 'T'

DESCRIPTION
D1xC3 STACK
1 BEACON & ALARM HORN
WITH JUNCTION BOX

DATA REFERENCE
1-26-080

ISSUE	MOD No.	REASON - INITIAL - DATE
1		INTRODUCTION DAH - 20-04-2023

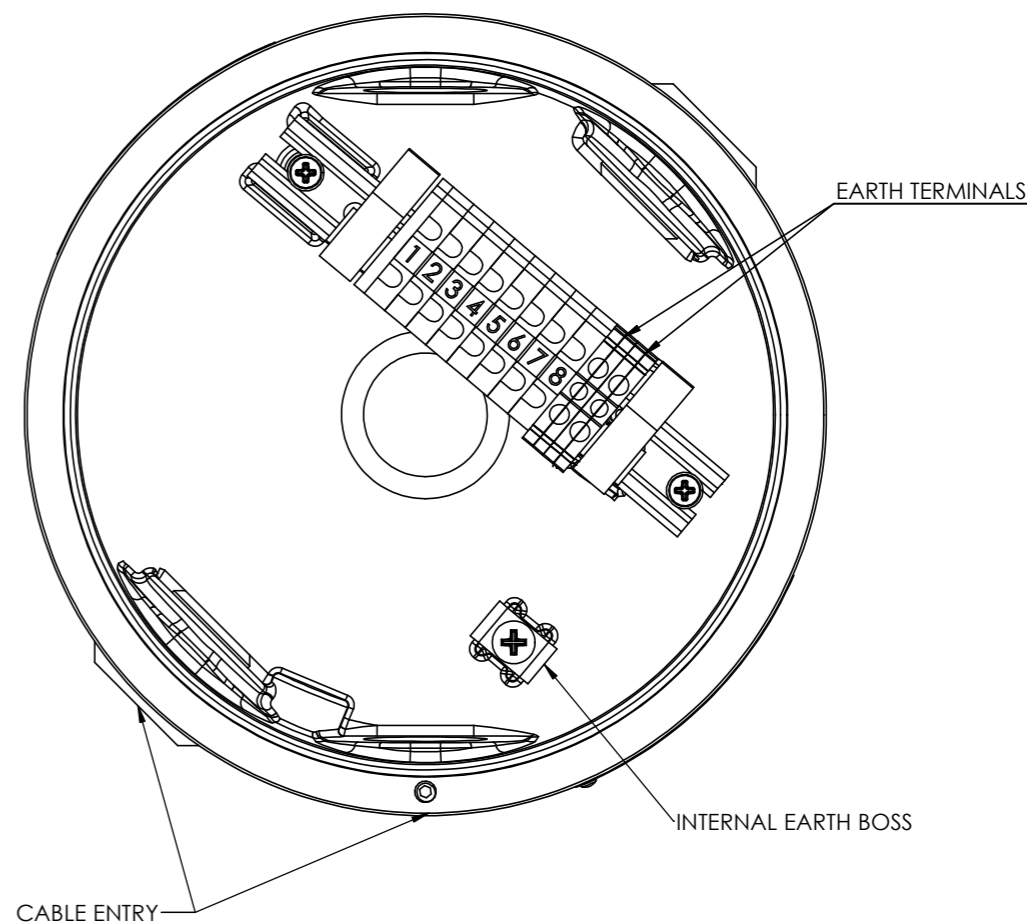
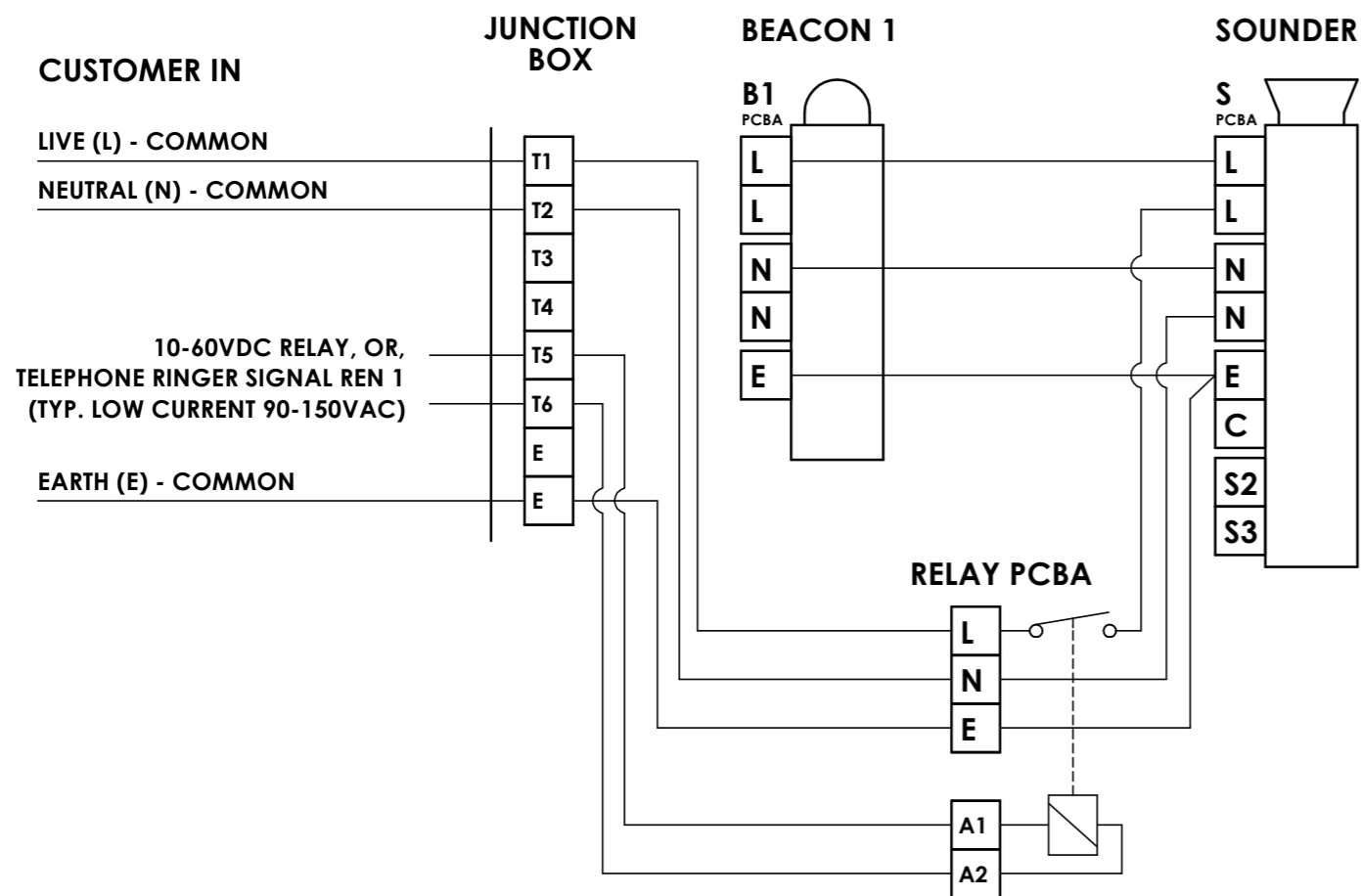
CONFIG. 1

RELAY / TELEPHONE INITIATION

COMMON LIVE, NEUTRAL & EARTH CONNECTION TO BEACON & SOUNDER

ENTRY TERMINALS

MAINTAIN POWERED CONNECTION TO T1, T2, T3
TO ACTIVATE BEACON & SOUNDER, APPLY SIGNAL TO T5, T6



DRAWING TO BS8888:2000 GEOMETRIC TOLERANCES TO ISO1101:1983 LINEAR DIMENSIONAL TOLS ANGULAR DIMENSIONAL TOLS	DRAWN D.HOWGILL 20-04-2023	DATE 20-04-2023
STANDARDS	CHECKED R.N.POTTS 20-04-2023	DATE 20-04-2023
	APPROVED R.N.POTTS 20-04-2023	DATE 20-04-2023

SURFACE FINISH FINISH	WEIGHT (kg)
MATERIAL	
ALTERNATIVE MATERIAL	

THIS DRAWING AND ANY INFORMATION OR DESCRIPTIVE MATTER THEREIN IS COMMUNICATED IN CONFIDENCE AND IS THE COPYRIGHT PROPERTY OF EUROPEAN SAFETY SYSTEMS LTD. NEITHER THE WHOLE OR ANY EXTRACT MAY BE DISCLOSED, LOANED, COPIED OR USED FOR MANUFACTURING OR TENDERING PURPOSES WITHOUT THEIR WRITTEN CONSENT.
EUROPEAN SAFETY SYSTEMS LTD. AS PER LATEST DATE OF ISSUE SHOWN ABOVE

 EUROPEAN SAFETY SYSTEMS LTD IMPRESS HOUSE MANSELL ROAD ACTON LONDON W3 7QH WWW.E2S.COM

ALL DIMENSIONS IN MM IF IN DOUBT, ASK - DO NOT SCALE		A2
TITLE D1xC3 STACK - BEACON & ALARM HORN W/ J'BOX SCHEMATIC - RELAY/TEL INIT.		
SCALE NTS	SHEET 1 OF 1	DRAWING NUMBER D226-06-728

ALL DIMENSIONS IN MM IF IN DOUBT, ASK - DO NOT SCALE		A2
TITLE D1xC3 STACK - BEACON & ALARM HORN W/ J'BOX SCHEMATIC - RELAY/TEL INIT.		
SCALE NTS	SHEET 1 OF 1	DRAWING NUMBER D226-06-728