

DC CONFIGURATIONS

E2S PART NO
D1x[P2][J2][XX][XX]
 Note: Alternative wiring configurations may be available on request - contact E2S sales

DESCRIPTION
D1xP2 STACK - 2 BEACONS
WITH JUNCTION BOX

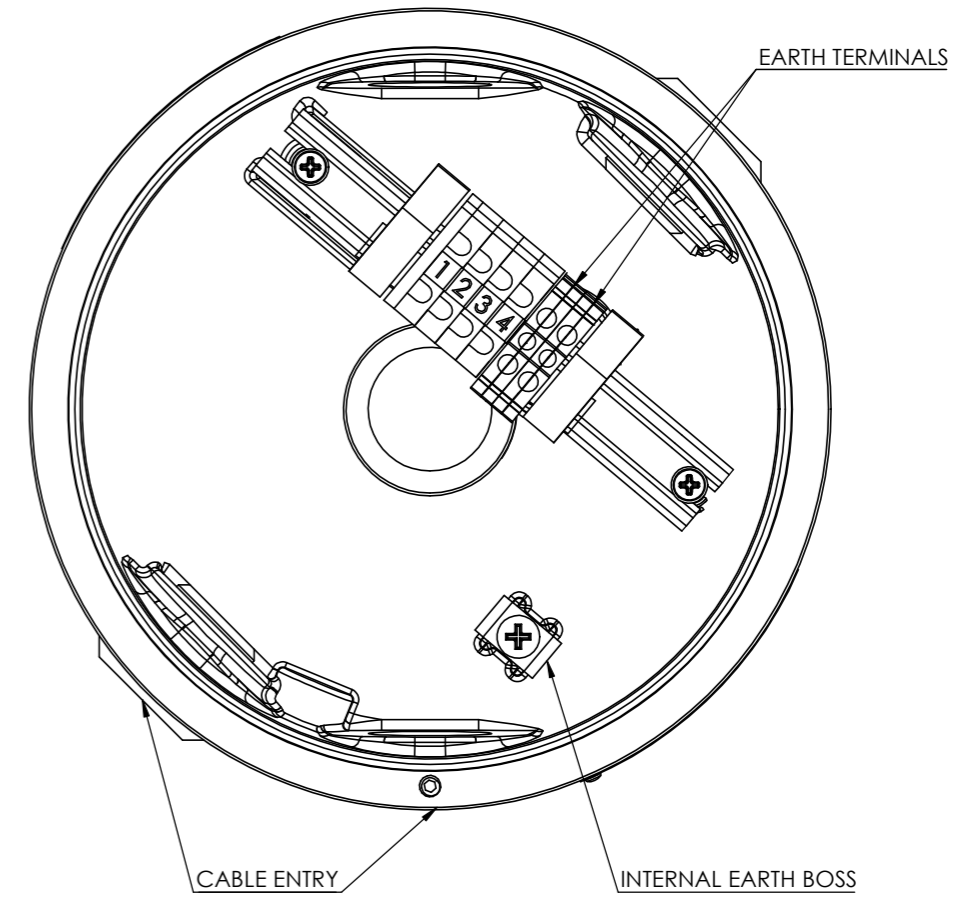
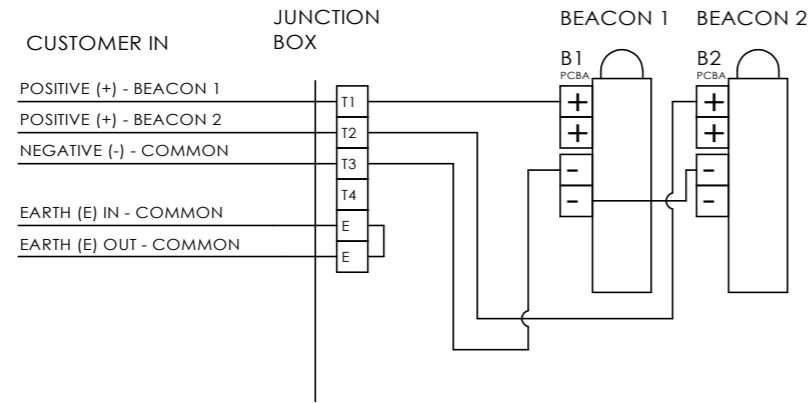
DATA REFERENCE
1-26-070

| ISSUE | MOD No. | REASON - INITIAL - DATE |
|-------|---------|---|
| 1 | | INTRODUCTION DAH - 15-08-2019 |
| 2 | | -VE / N COMMON TERMINAL MOVED TO T3 - DAH - 26-02-2020 |
| 3 | | CONFIGS 1 - 2 ADDED. SH2 ADDED DAH - 11-04-2023 |

CONFIG. 1 (DEFAULT)

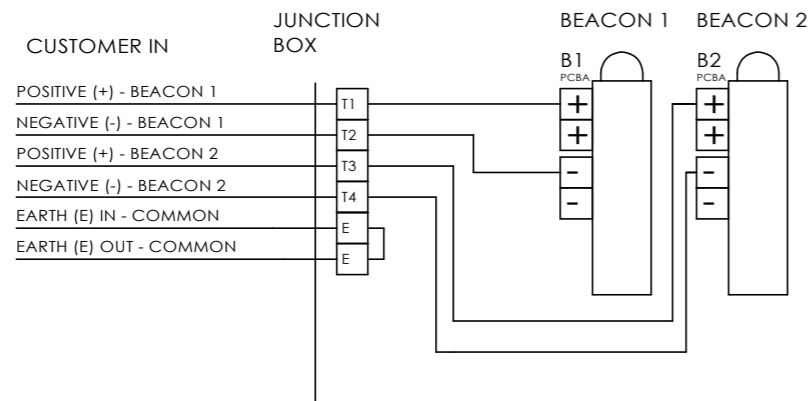
DC VOLTAGE SUPPLY
 COMMON NEGATIVE CONNECTION TO ALL SIGNALS

ENTRY TERMINALS



CONFIG. 2

DC VOLTAGE SUPPLY
 INDEPENDENT CONNECTIONS TO ALL SIGNALS



DRAWING TO BS8888:2000
 GEOMETRIC TOLERANCES TO ISO1101:1983
 LINEAR DIMENSIONAL TOLS
 ANGULAR DIMENSIONAL TOLS

| DRAWN | DATE |
|-----------|------------|
| D.HOWGILL | 15-08-2019 |
| CHECKED | DATE |
| R.N.POTTS | 15-08-2019 |
| APPROVED | DATE |
| R.N.POTTS | 15-08-2019 |

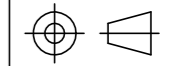
| SURFACE FINISH | WEIGHT (kg) |
|----------------------|-------------|
| FINISH | |
| MATERIAL | |
| | |
| ALTERNATIVE MATERIAL | |
| | |

THIS DRAWING AND ANY INFORMATION OR DESCRIPTIVE MATTER THEREIN IS COMMUNICATED IN CONFIDENCE AND IS THE COPYRIGHT PROPERTY OF EUROPEAN SAFETY SYSTEMS LTD. NEITHER THE WHOLE OR ANY EXTRACT MAY BE DISCLOSED, LOANED, COPIED OR USED FOR MANUFACTURING OR TENDERING PURPOSES WITHOUT THEIR WRITTEN CONSENT.

EUROPEAN SAFETY SYSTEMS LTD.
 AS PER LATEST DATE OF ISSUE SHOWN ABOVE

e2s
 warning signals
 EUROPEAN SAFETY SYSTEMS LTD
 IMPRESS HOUSE
 MANSELL ROAD
 ACTON
 LONDON W3 7QH
 WWW.E2S.COM

ALL DIMENSIONS IN MM
 IF IN DOUBT, ASK -
 DO NOT SCALE



A2

TITLE **D1xP2 STACK - 2 BEACONS WITH JUNCTION BOX WIRING SCHEMATIC**

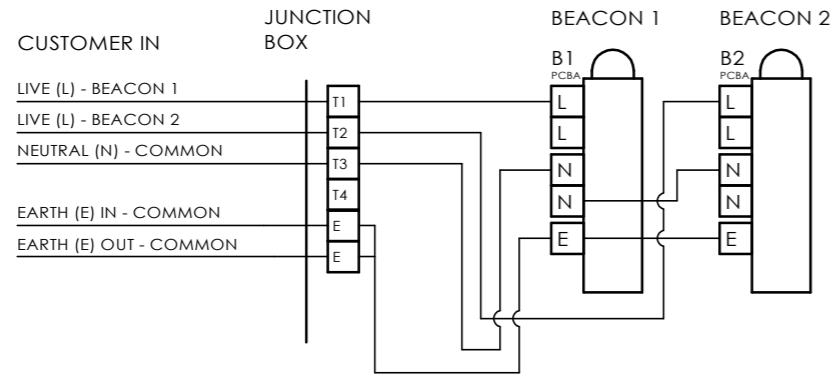
| SCALE | SHEET | DRAWING NUMBER |
|-------|--------|----------------|
| NTS | 1 OF 2 | D226-06-122 |

AC CONFIGURATIONS

| ISSUE | MOD No. | REASON - INITIAL - DATE |
|-------|---------|-------------------------|
| 1 | | SEE SH1 |
| 2 | | SEE SH1 |
| 3 | | SEE SH1 |

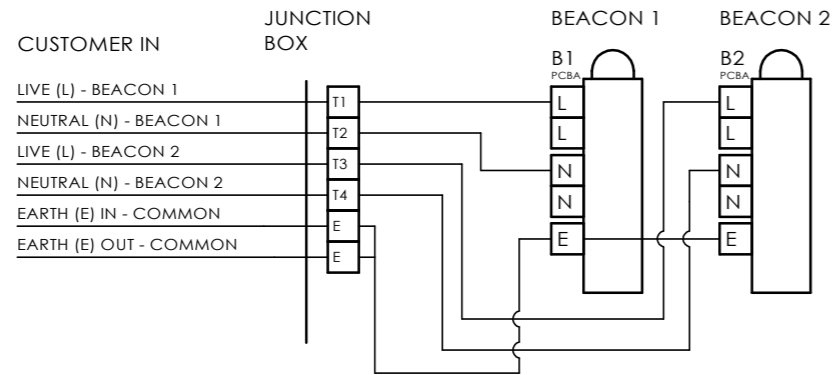
CONFIG. 1 (DEFAULT)

AC VOLTAGE SUPPLY
COMMON NEUTRAL CONNECTION TO ALL SIGNALS



CONFIG. 2

AC VOLTAGE SUPPLY
INDEPENDENT CONNECTIONS TO ALL SIGNALS



DRAWING TO BS8888:2000
GEOMETRIC TOLERANCES TO ISO1101:1983
LINEAR DIMENSIONAL TOLS
ANGULAR DIMENSIONAL TOLS

| DRAWN | DATE |
|-----------|------------|
| D.HOWGILL | 15-08-2019 |
| CHECKED | DATE |
| R.N.POTTS | 15-08-2019 |
| APPROVED | DATE |
| R.N.POTTS | 15-08-2019 |

| SURFACE FINISH | WEIGHT (kg) |
|----------------------|-------------|
| FINISH | |
| MATERIAL | |
| ALTERNATIVE MATERIAL | |

THIS DRAWING AND ANY INFORMATION OR DESCRIPTIVE MATTER THEREIN IS COMMUNICATED IN CONFIDENCE AND IS THE COPYRIGHT PROPERTY OF EUROPEAN SAFETY SYSTEMS LTD. NEITHER THE WHOLE OR ANY EXTRACT MAY BE DISCLOSED, LOANED, COPIED OR USED FOR MANUFACTURING OR TENDERING PURPOSES WITHOUT THEIR WRITTEN CONSENT.

© EUROPEAN SAFETY SYSTEMS LTD.
AS PER LATEST DATE OF ISSUE SHOWN ABOVE



| ALL DIMENSIONS IN MM IF IN DOUBT, ASK - DO NOT SCALE | | TITLE D1xP2 STACK - 2 BEACONS WITH JUNCTION BOX WIRING SCHEMATIC | |
|--|-----------------|---|--|
| SCALE NTS | SHEET 2 OF 2 | DRAWING NUMBER D226-06-122 | |

A2