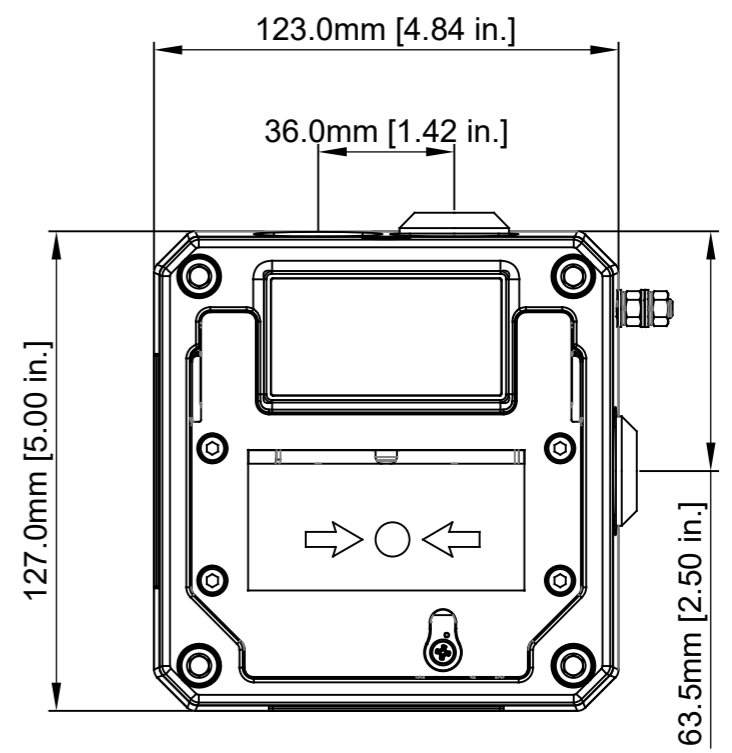
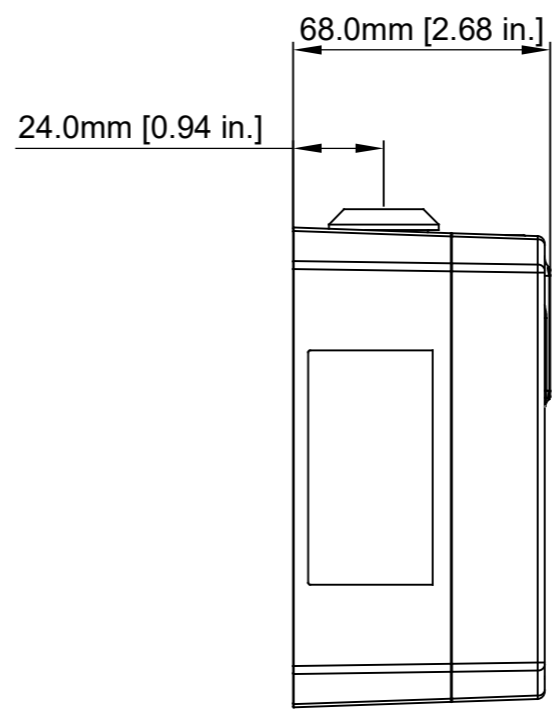
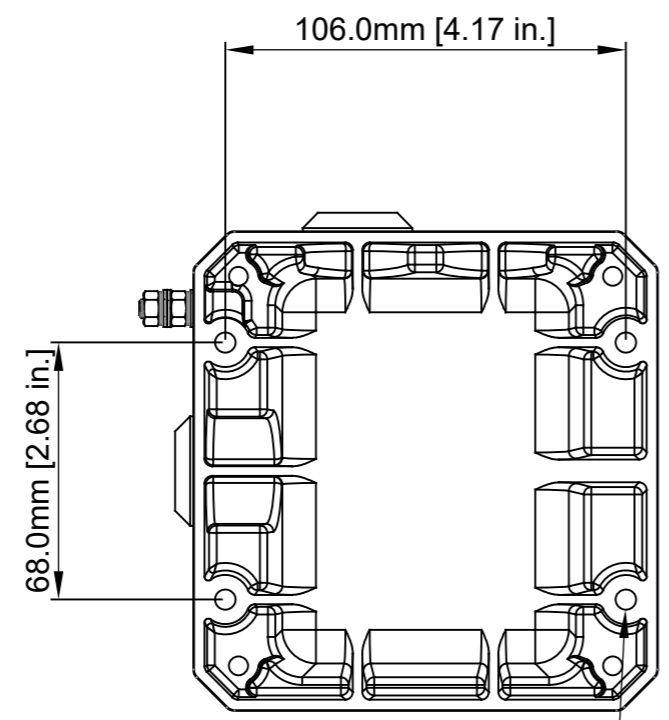
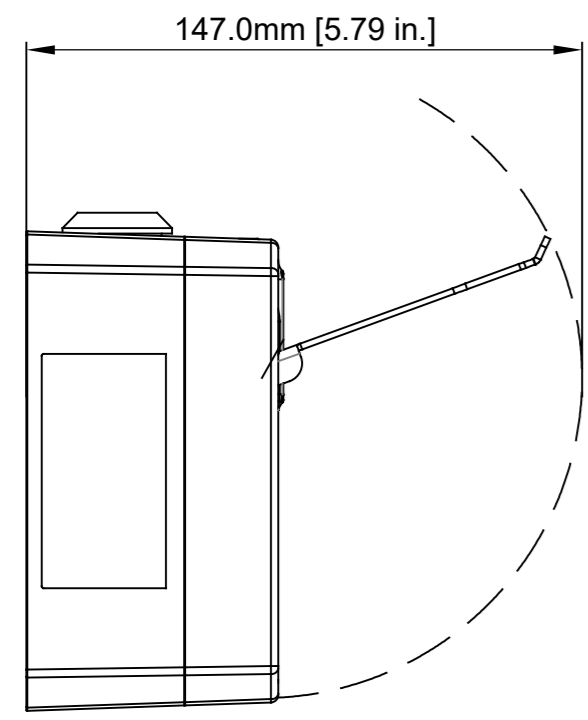
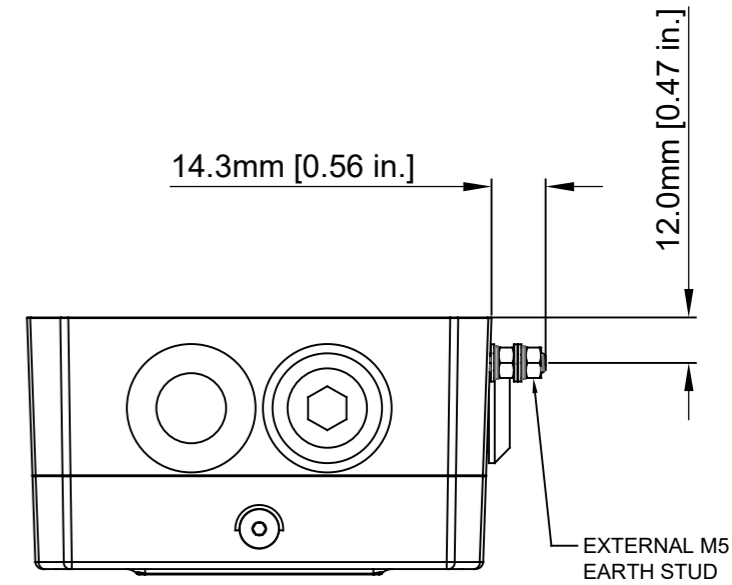
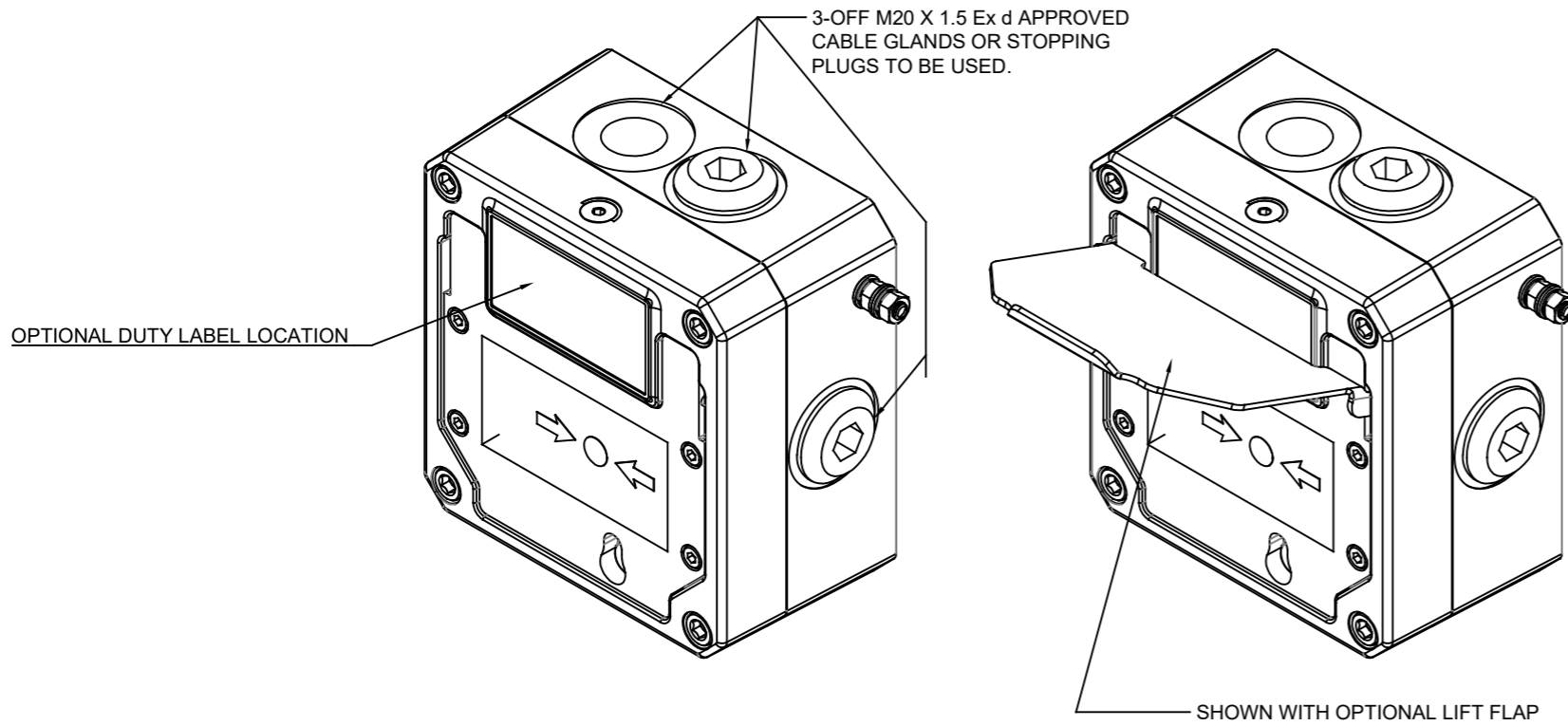


ISSUE	MOD No.	INITIAL/DATE
A		DRAWING CREATED FROM SK0448 RSR 03-02-20
B		OPTIONAL TAG REMOVED LABEL NOTES ADDED MM 31-07-2023



SHOWN WITH OPTIONAL LIFT FLAP
IN OPENED POSITION

Ø5.4mm [Ø0.21 in.] MOUNTING
HOLES 4 OFF

E2S PART NO.	DESCRIPTION	DATA REFERENCE
STExCP8-BG...	STAINLESS STEEL CP8 BREAK GLASS CALL POINT	1.24.120

NOTE:
FOR OPTIONAL DUTY LABEL SEE DRAWING D254-00-011
FOR OPTIONAL TAG PLATE SEE DRAWING D254-00-111

DRAWING TO BS 8888:2000 GEOMETRIC TOLERANCES TO ISO1101:1993 LINEAR DIMENSION TOLS ANGULAR DIMENSION TOLS	DRAWN R.S. RAIT	DATE 24-10-16	SURFACE FINISH	WEIGHT (Kg)	THIS DRAWING AND ANY INFORMATION OR DESCRIPTIVE MATTER THEREIN IS COMMUNICATED IN CONFIDENCE AND IS THE COPYRIGHT PROPERTY OF EUROPEAN SAFETY SYSTEMS LTD. NEITHER THE WHOLE OR ANY EXTRACT MAY BE DISCLOSED, LOANED, COPIED OR USED FOR MANUFACTURING OR TENDERING PURPOSES WITHOUT THEIR WRITTEN CONSENT. © EUROPEAN SAFETY SYSTEMS LTD. AS PER LATEST DATE OF ISSUE SHOWN ABOVE	 EUROPEAN SAFETY SYSTEMS LTD IMPRESS HOUSE MANSELL ROAD ACTON LONDON W3 7QH WWW.E2S.COM	ALL DIMENSIONS IN MM IF IN DOUBT, ASK - DO NOT SCALE	 A1		
	CHECKED B. ISARD	DATE 24-10-16	MATERIAL							
	APPROVED R.N. POTTS	DATE 24-10-16	ALTERNATIVE MATERIAL							
STANDARDS						TITLE STExCP8-BG BREAK GLASS OUTLINE DRAWING		SCALE 1:1	SHEET 1 OF 1	DRAWING NUMBER D204-05-001