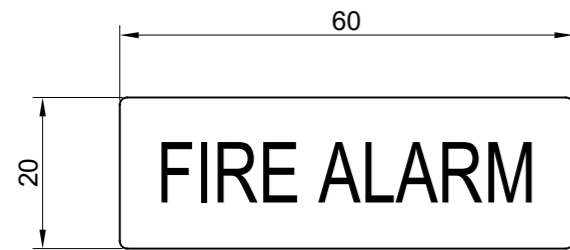
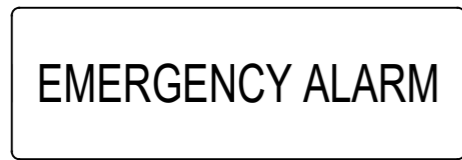


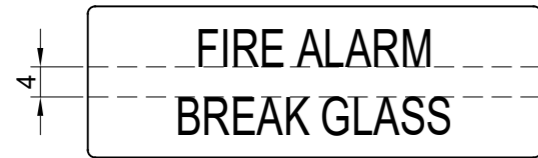
# LABEL DIMENSIONS



1 LINE  
WITH 8mm TEXT



1 LINE  
WITH 5mm TEXT



2 LINES  
WITH 5mm TEXT

# LABEL SPECIFICATIONS

ISSUE	MOD No.	INITIAL/DATE
1		INTRODUCTION DH 22-03-23

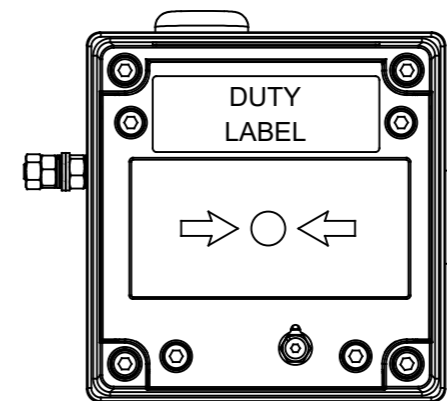
LINES	TEXT HEIGHT	TOTAL NO. OF CHARACTERS
ONE LINE	8	1 - 10
	6	11 - 13
	5	14 - 16
TWO LINES	5	UP TO 32

FONT: ARIAL  
 METHOD OF MARKING: LASER ETCHED WITH BLACK TEXT  
 PLATE MATERIAL: GRADE 316 STAINLESS STEEL  
 ATTACHMENT: PERMANENT EPOXY ADHESIVE  
 POSITION: SEE DIAGRAMS BELOW

NOTE 1: CHARACTER LIMIT INCLUDES SPACES  
 NOTE 2: TEXT HEIGHT WILL BE PRIORITISED FOR LABEL CONTENTS WHERE POSSIBLE  
 DISCLAIMER: UNLESS OTHERWISE SPECIFIED, LABEL CONTENTS WILL BE SIZED FOR BEST FIT AS DEEMED APPROPRIATE BY E2S

# LABEL POSITION

BExCP3-BG MANUAL CALL POINTS  
 BONDED TO FRONT OF ENCLOSURE



DRAWING TO BS8888:2000  
 GEOMETRIC TOLERANCES TO ISO1101:1983  
 LINEAR DIMENSIONAL TOLS +/-0.35mm  
 ANGULAR DIMENSIONAL TOLS +/-2 deg

DRAWN DATE 22-03-23  
**D.HOWGILL**  
 CHECKED DATE 22-03-23  
**R.N.POTTS**  
 APPROVED DATE 22-03-23  
**R.N.POTTS**

SURFACE FINISH  
 WEIGHT (Kg)  
 MATERIAL  
**SEE NOTE**  
 ALTERNATIVE MATERIAL

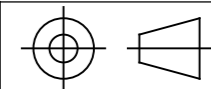
THIS DRAWING AND ANY INFORMATION OR DESCRIPTIVE MATTER THEREIN IS COMMUNICATED IN CONFIDENCE AND IS THE COPYRIGHT PROPERTY OF EUROPEAN SAFETY SYSTEMS LTD. NEITHER THE WHOLE OR ANY EXTRACT MAY BE DISCLOSED, LOANED, COPIED OR USED FOR MANUFACTURING OR TENDERING PURPOSES WITHOUT THEIR WRITTEN CONSENT.

© EUROPEAN SAFETY SYSTEMS LTD.  
 AS PER LATEST DATE OF ISSUE SHOWN ABOVE



EUROPEAN SAFETY SYSTEMS LTD  
 IMPRESS HOUSE  
 MANSELL ROAD  
 ACTON  
 LONDON W3 7QH  
 WWW.E2S.COM

ALL DIMENSIONS IN MM  
 IF IN DOUBT, ASK -  
 DO NOT SCALE



A3

TITLE **DUTY LABEL SPECIFICATION DRAWING**  
**BExCP3-BG MANUAL CALL POINTS**

SCALE 1:1 SHEET 1 of 1 DRAWING NUMBER **D254-00-021**