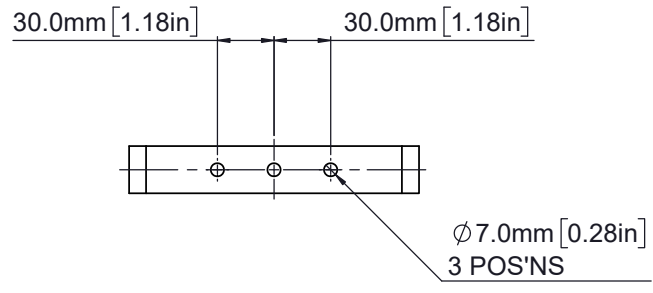
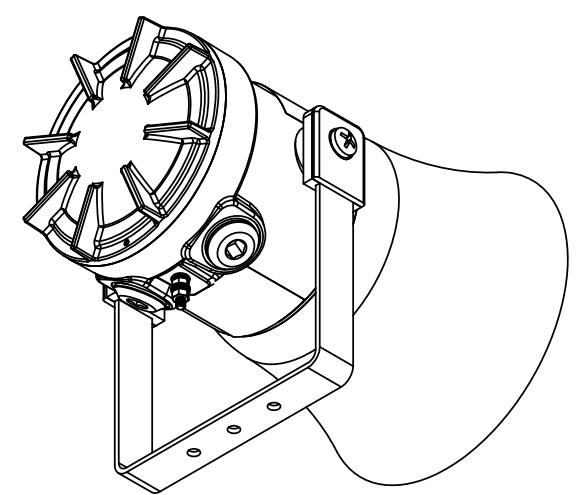
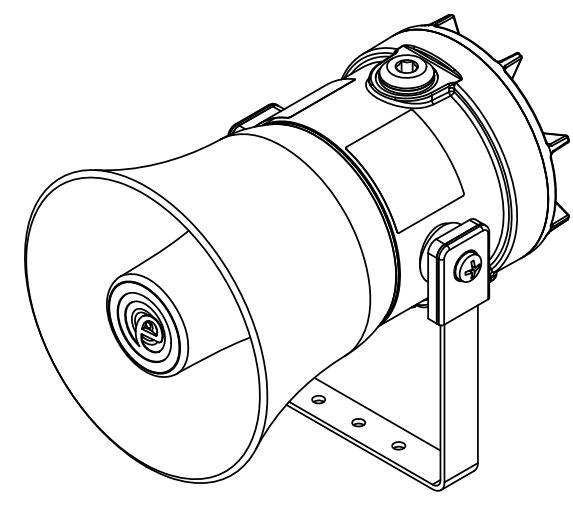
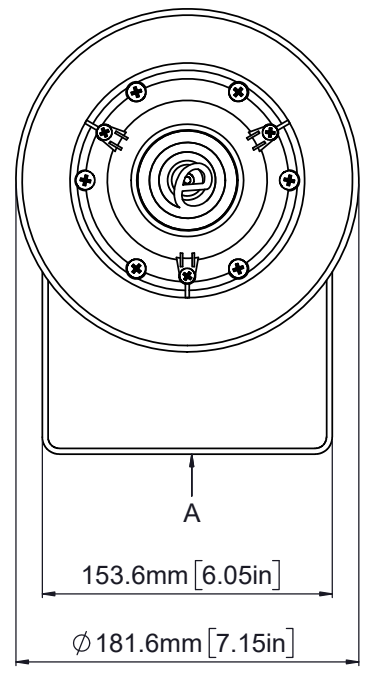
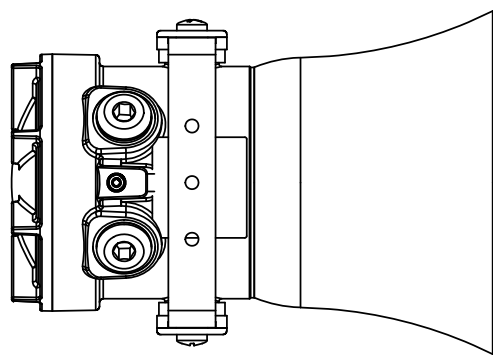
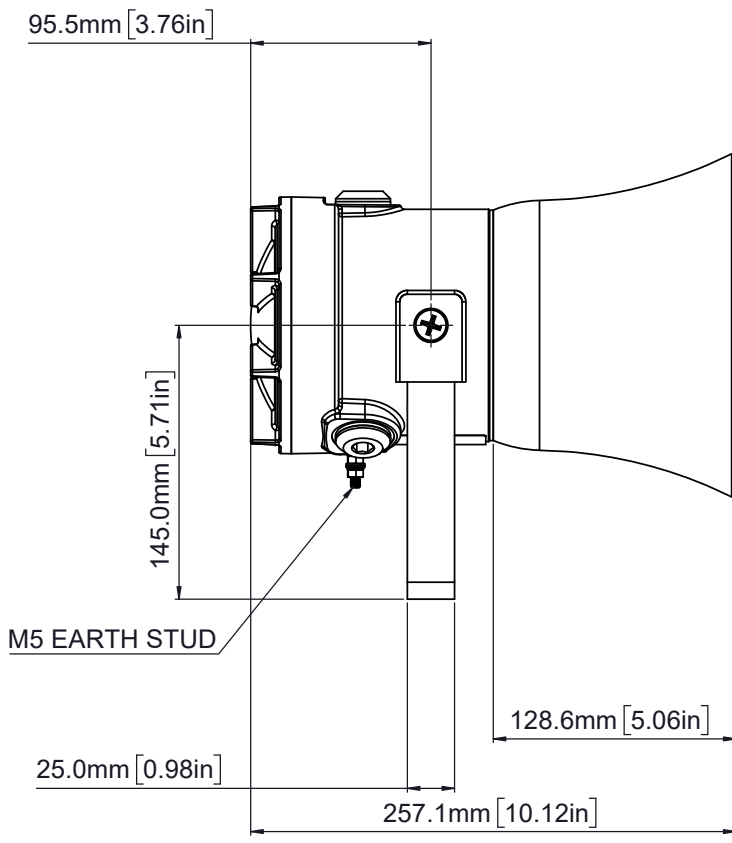
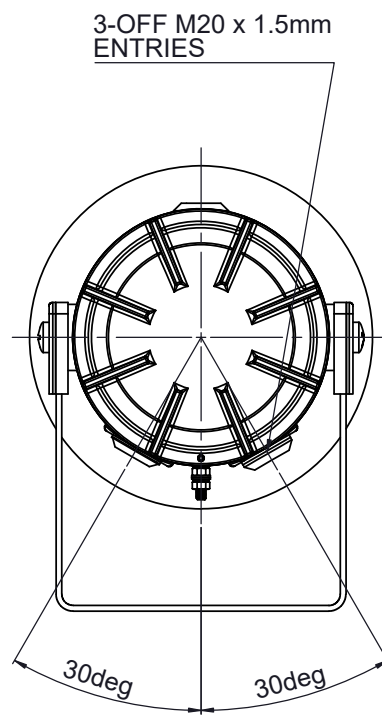
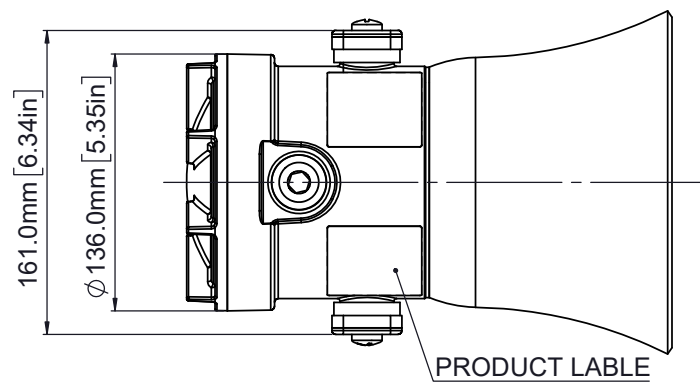


ISSUE	MOD No.	REASON - INITIAL - DATE
1		INTRODUCTION JS - 23-03-2021
2		OPTIONAL TAG REMOVED LABEL NOTES ADDED MM 31-07-2023



E2S PART NO.	DESCRIPTION	DATA REFERENCE
STExS1F	STEx S1 FLARE ALARM SOUNDER (Ex d VERSION)	1-22-180
STExL1F	STEx L1 FLARE LOUDSPEAKER (Ex d VERSION)	1-22-200

NOTE:  
FOR OPTIONAL DUTY LABEL SEE DRAWING D254-00-001  
FOR OPTIONAL TAG PLATE SEE DRAWING D254-00-101

DRAWING TO BS888:2000 GEOMETRIC TOLERANCES TO ISO1101:1983 LINEAR DIMENSIONAL TOLS ANGULAR DIMENSIONAL TOLS	DRAWN	DATE	SURFACE FINISH	WEIGHT (kg)	THIS DRAWING AND ANY INFORMATION OR DESCRIPTIVE MATTER THEREIN IS COMMUNICATED IN CONFIDENCE AND IS THE COPYRIGHT PROPERTY OF EUROPEAN SAFETY SYSTEMS LTD. NEITHER THE WHOLE OR ANY EXTRACT MAY BE DISCLOSED, LOANED, COPIED OR USED FOR MANUFACTURING OR TENDERING PURPOSES WITHOUT THEIR WRITTEN CONSENT.	 EUROPEAN SAFETY SYSTEMS LTD IMPRESS HOUSE MANSELL ROAD ACTON LONDON W3 7QH WWW.E2S.COM	<small>ALL DIMENSIONS IN MM IF IN DOUBT, ASK - DO NOT SCALE</small>	 <b>A1</b>
	CHECKED	DATE	MATERIAL					
STANDARDS	R.POTTS	23/03/21	GRP		<small>EUROPEAN SAFETY SYSTEMS LTD. AS PER LATEST DATE OF ISSUE SHOWN ABOVE</small>	<small>EUROPEAN SAFETY SYSTEMS LTD. AS PER LATEST DATE OF ISSUE SHOWN ABOVE</small>	<small>TITLE</small> STExS1F / STExL1F SOUNDER OUTLINE DRAWING	<small>SCALE</small> 1:2
	APPROVED	DATE	ALTERNATIVE MATERIAL					
STEx Range		R.POTTS	23/03/21					