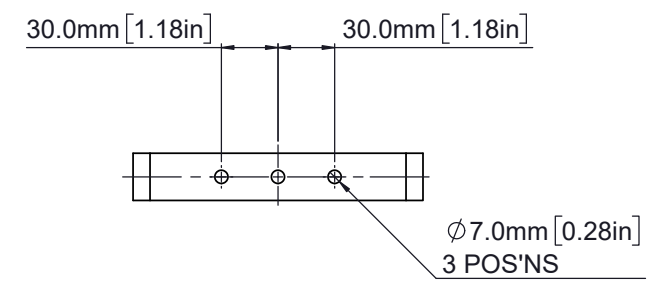
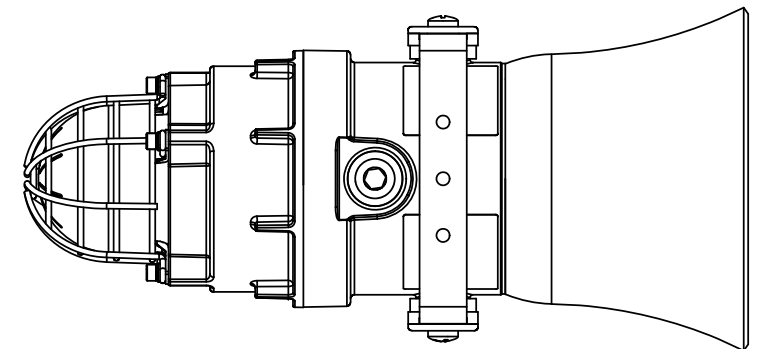
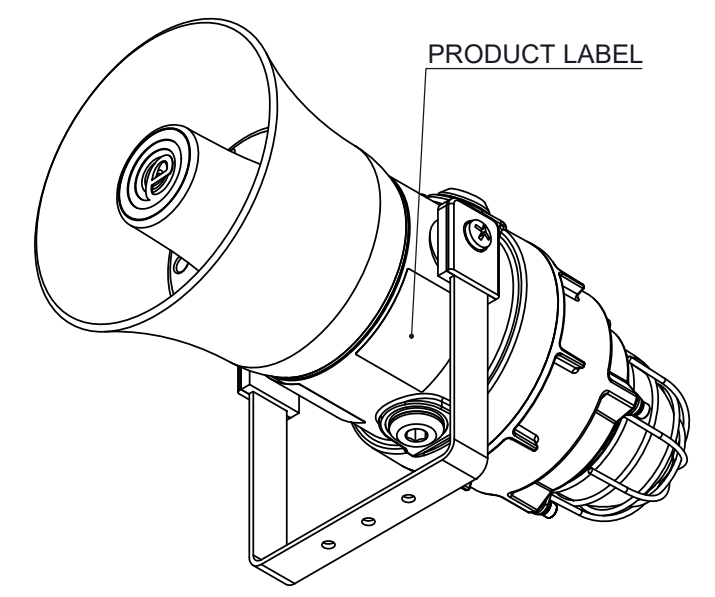
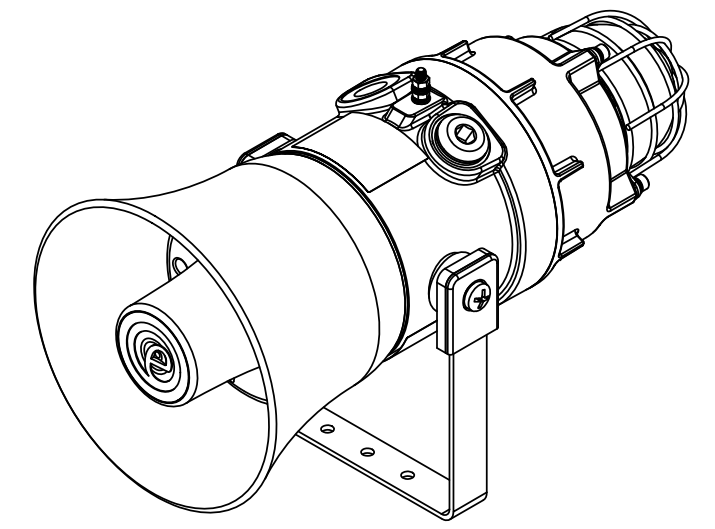
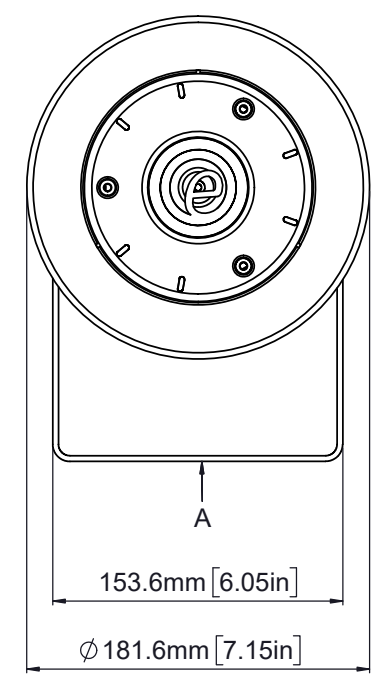
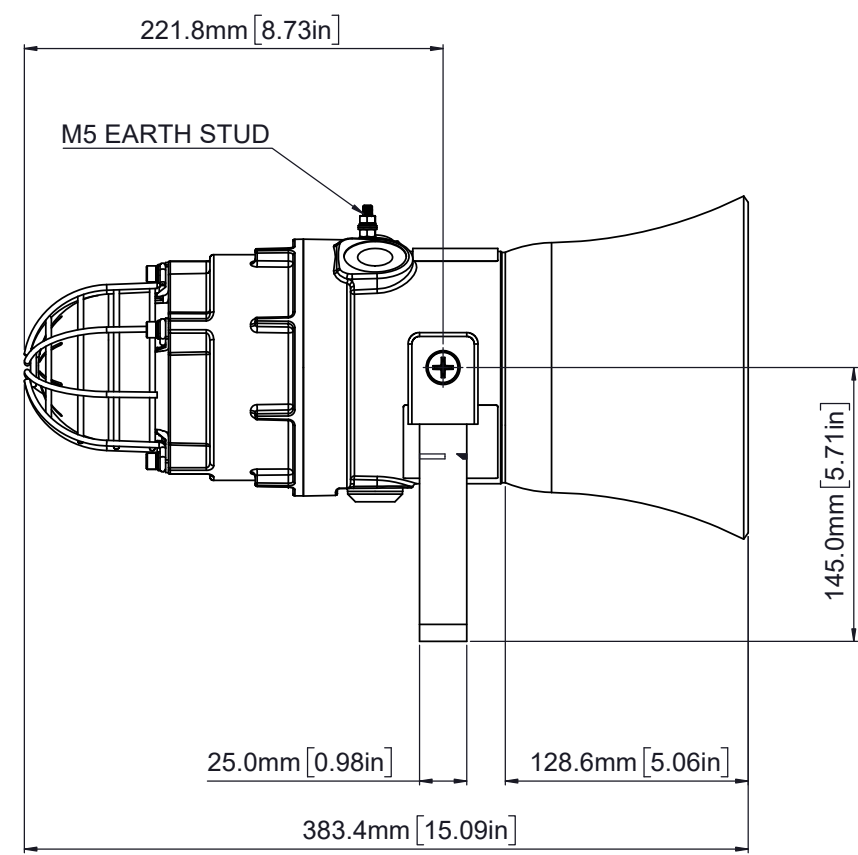
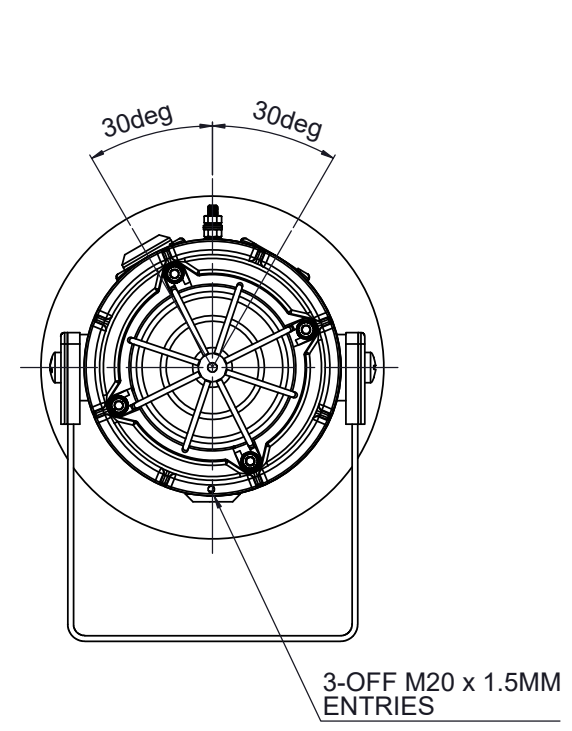
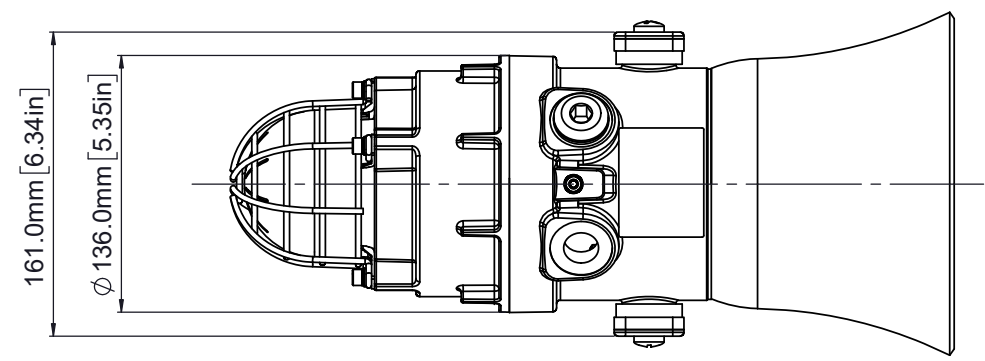


ISSUE	MOD No.	REASON - INITIAL - DATE
1		INTRODUCTION JS - 23-03 -2021
2		OPTIONAL TAG REMOVED LABEL NOTES ADDED MM 31-07-2023



E2S PART NO.	DESCRIPTION	DATA REFERENCE
STExC1X05F	STExC1X05F SMALL FLARE COMBINED BEACON & ALARM SOUNDER (Ex d VERSION)	1-23-090

NOTE:  
FOR OPTIONAL DUTY LABEL SEE DRAWING D254-00-001  
FOR OPTIONAL TAG PLATE SEE DRAWING D254-00-101

SCRAP VIEW IN DIRECTION A

DRAWING TO BS888:2000 GEOMETRIC TOLERANCES TO ISO1101:1983 LINEAR DIMENSIONAL TOLS ANGULAR DIMENSIONAL TOLS	DRAWN	DATE	SURFACE FINISH	WEIGHT (kg)	THIS DRAWING AND ANY INFORMATION OR DESCRIPTIVE MATTER THEREIN IS COMMUNICATED IN CONFIDENCE AND IS THE COPYRIGHT PROPERTY OF EUROPEAN SAFETY SYSTEMS LTD. NEITHER THE WHOLE OR ANY EXTRACT MAY BE DISCLOSED, LOANED, COPIED OR USED FOR MANUFACTURING OR TENDERING PURPOSES WITHOUT THEIR WRITTEN CONSENT.	 EUROPEAN SAFETY SYSTEMS LTD IMPRESS HOUSE MANSELL ROAD ACTON LONDON W3 7QH WWW.E2S.COM	 ALL DIMENSIONS IN MM IF IN DOUBT, ASK - DO NOT SCALE	 A1
	CHECKED	DATE	MATERIAL					
STANDARDS <b>STEx Range</b>	R.POTTS	23/03/21	GRP		 EUROPEAN SAFETY SYSTEMS LTD. AS PER LATEST DATE OF ISSUE SHOWN ABOVE	 TITLE STExC1X05F COMBINED BEACON & SOUNDER OUTLINE DRAWING	 SCALE 1:2	 SHEET 1 OF 1
	APPROVED	DATE	ALTERNATIVE MATERIAL					
	R.POTTS	23/03/21						