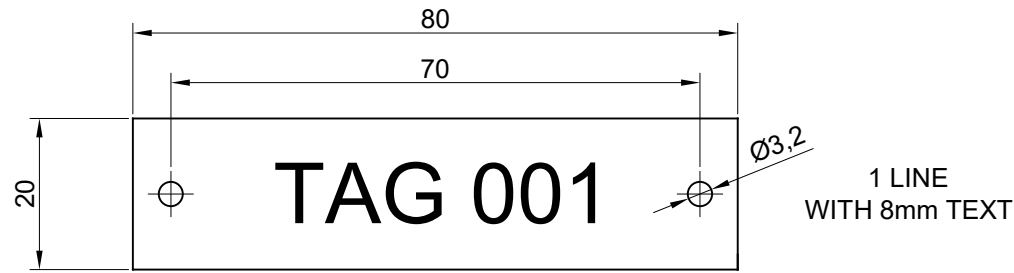


TAG DIMENSIONS



1 LINE
WITH 8mm TEXT



1 LINE
WITH 5mm TEXT



2 LINES

NOTE: CHARACTER LIMIT INCLUDES SPACES

TAG SPECIFICATIONS

ISSUE	MOD No.	INITIAL/DATE
1		INTRODUCTION DH 22-03-23

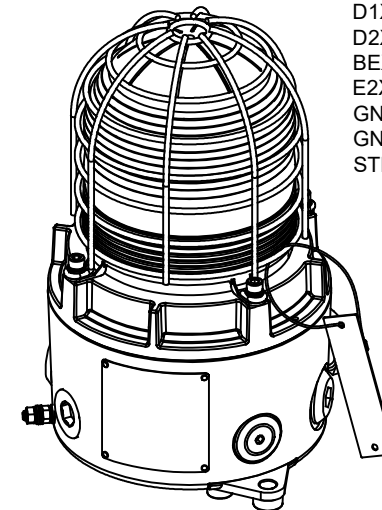
LINES	TEXT HEIGHT	TOTAL NO. OF CHARACTERS
ONE LINE	8	14
	5	25
TWO LINES	5	UP TO 50

FONT: ARIAL
METHOD OF MARKING: LASER ETCHED WITH BLACK TEXT
PLATE MATERIAL: GRADE 316 STAINLESS STEEL
ATTACHMENT: NYLON COATED STAINLESS STEEL WIRE
POSITION: SEE DIAGRAMS BELOW

NOTE 1: CHARACTER LIMIT INCLUDES SPACES
NOTE 2: TEXT HEIGHT WILL BE PRIORITISED FOR LABEL CONTENTS WHERE POSSIBLE
DISCLAIMER: UNLESS OTHERWISE SPECIFIED, LABEL CONTENTS WILL BE SIZED FOR BEST FIT AS DEEMED APPROPRIATE BY E2S

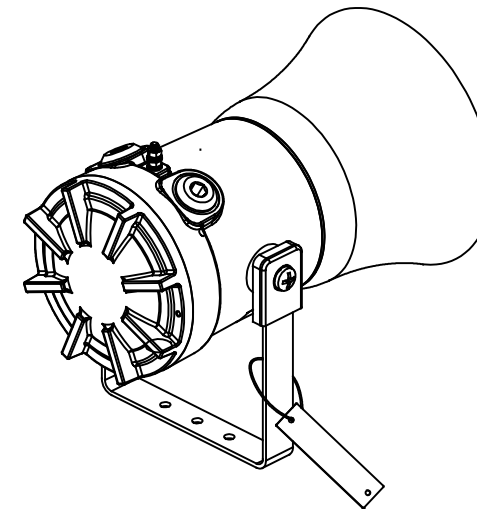
TAG POSITION

BEACONS
CRIMPED TO BEACON GUARD



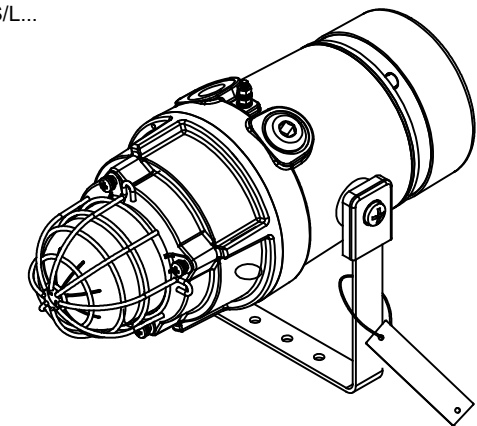
D1XB2...
D2XB1...
BEXBG...
E2XB...
GNEXB1...
GNEXB2...
STEXB2...

ALARM HORNS
CRIMPED TO MOUNTING BRACKET



D1XS/L...
BEXS/L...
E2XS/L...
GNEXS/L...
STEXS/L...

COMBINED BEACON - ALARM HORN
CRIMPED TO MOUNTING BRACKET



D1XC1...
D1XC2...
BEXCS...
BEXCB...
E2XC1...
STEXC1...

DRAWING TO BS8888:2000
GEOMETRIC TOLERANCES TO ISO1101:1983
LINEAR DIMENSIONAL TOLS +/-0.35mm
ANGULAR DIMENSIONAL TOLS +/-2 deg

DRAWN DATE 22-03-23
D.HOWGILL
CHECKED DATE 22-03-23
R.N.POTTS
APPROVED DATE 22-03-23
R.N.POTTS

SURFACE FINISH WEIGHT (Kg)
MATERIAL SEE NOTE
ALTERNATIVE MATERIAL

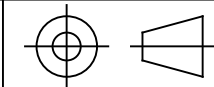
THIS DRAWING AND ANY INFORMATION OR DESCRIPTIVE MATTER THEREIN IS COMMUNICATED IN CONFIDENCE AND IS THE COPYRIGHT PROPERTY OF EUROPEAN SAFETY SYSTEMS LTD. NEITHER THE WHOLE OR ANY EXTRACT MAY BE DISCLOSED, LOANED, COPIED OR USED FOR MANUFACTURING OR TENDERING PURPOSES WITHOUT THEIR WRITTEN CONSENT.

© EUROPEAN SAFETY SYSTEMS LTD.
AS PER LATEST DATE OF ISSUE SHOWN ABOVE



EUROPEAN SAFETY SYSTEMS LTD
IMPRESS HOUSE
MANSELL ROAD
ACTON
LONDON W3 7QH
WWW.E2S.COM

ALL DIMENSIONS IN MM
IF IN DOUBT, ASK -
DO NOT SCALE



A3

TITLE TAG PLATE SPECIFICATION DRAWING
FOR BEACON, ALARM HORN & COMBO

SCALE 1:1 SHEET 1 of 1 DRAWING NUMBER D254-00-101