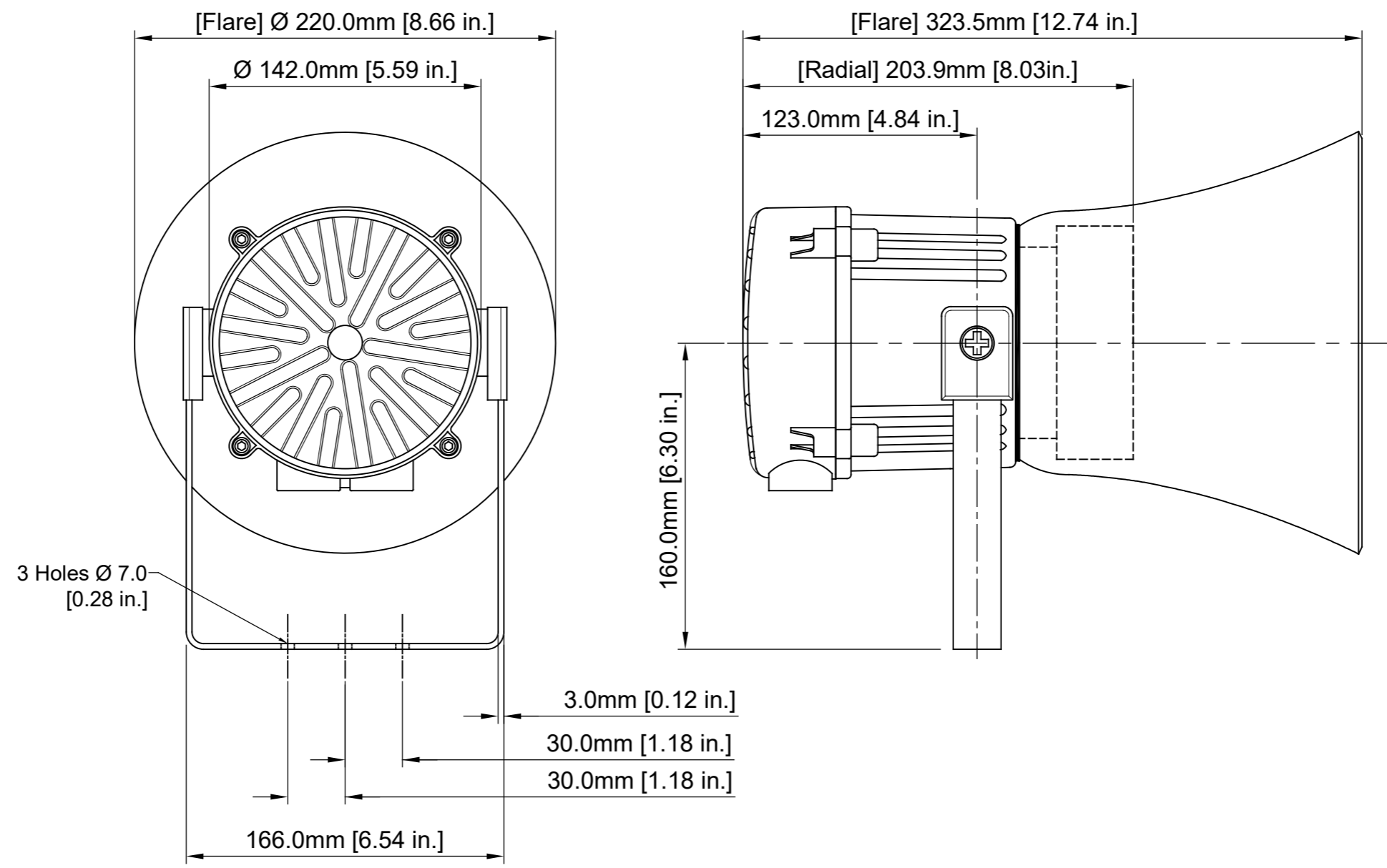


ISSUE	MOD No.	INITIAL/DATE
1		INTRODUCTION OF PART DH 20/05/2022
2		LABEL NOTES ADDED MM 31-07-2023



E2S PART NO.	DESCRIPTION	DATA REFERENCE
E2xL25...	E2xL25 PA LOUDSPEAKERS	1.32.040
E2xS2...	E2xS121 ALARM SOUNDER/HORN	1.32.020

NOTE:
FOR OPTIONAL DUTY LABEL SEE DRAWING D254-00-001
FOR OPTIONAL TAG PLATE SEE DRAWING D254-00-101

DRAWING TO BS8888:2000 GEOMETRIC TOLERANCES TO ISO1101:1983 LINEAR DIMENSIONAL TOLS ANGULAR DIMENSIONAL TOLS	DRAWN G. UDOWICZENKO	DATE 26-08-09	SURFACE FINISH	WEIGHT (Kg)	THIS DRAWING AND ANY INFORMATION OR DESCRIPTIVE MATTER THEREIN IS COMMUNICATED IN CONFIDENCE AND IS THE COPYRIGHT PROPERTY OF EUROPEAN SAFETY SYSTEMS LTD. NEITHER THE WHOLE OR ANY EXTRACT MAY BE DISCLOSED, LOANED, COPIED OR USED FOR MANUFACTURING OR TENDERING PURPOSES WITHOUT THEIR WRITTEN CONSENT.	 EUROPEAN SAFETY SYSTEMS LTD IMPRESS HOUSE MANSELL ROAD ACTON LONDON W3 7QH WWW.E2S.COM	ALL DIMENSIONS IN MM IF IN DOUBT, ASK - DO NOT SCALE	 A2
	CHECKED	DATE	MATERIAL	TITLE E2xS2F/R & E2xL25F/R SOUNDER OUTLINE				
	APPROVED	DATE	ALTERNATIVE MATERIAL	SCALE 1:2			SHEET 1 OF 1	