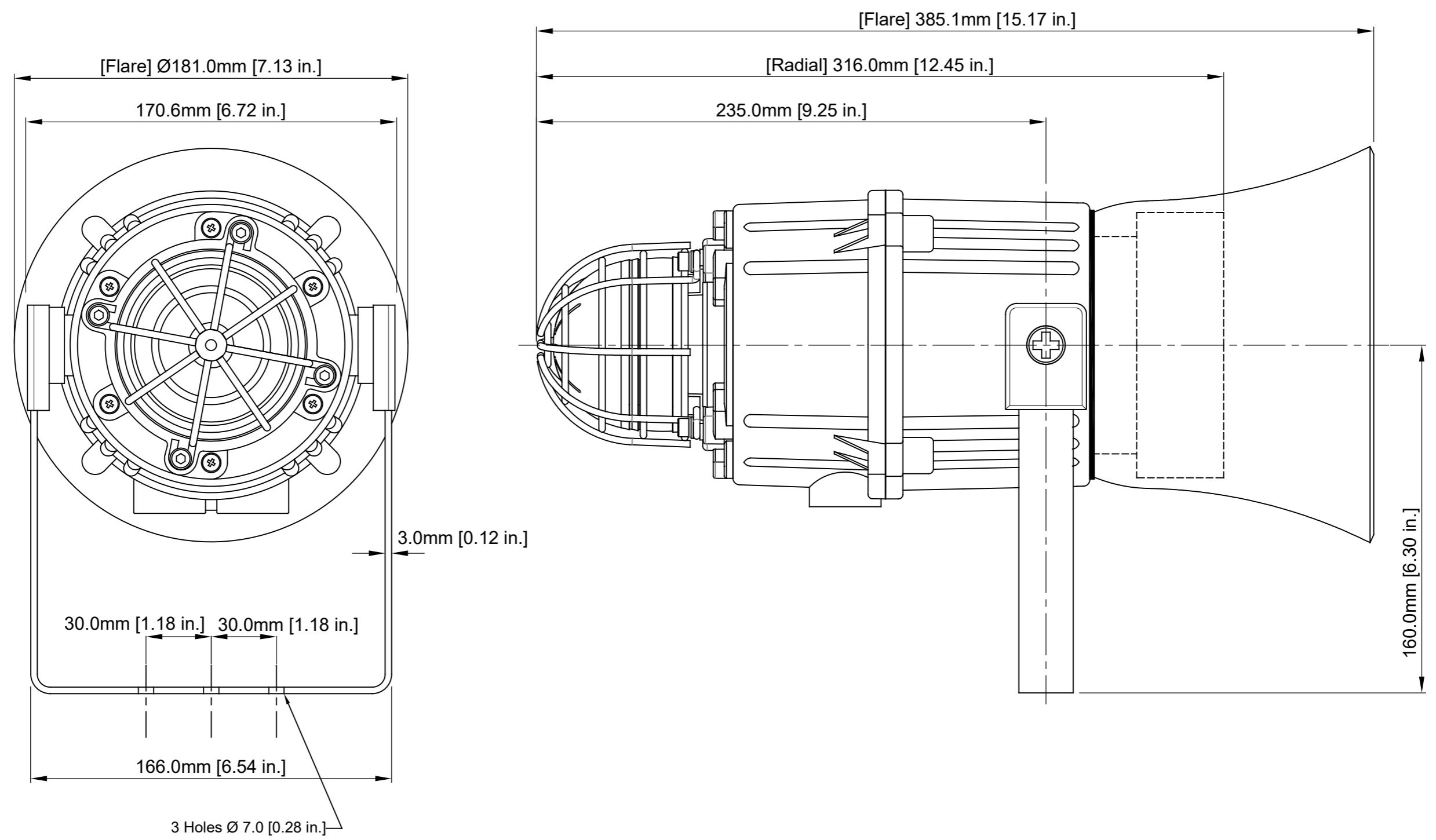


ISSUE	MOD No.	INITIAL DATE
1		INTRODUCTION OF PART DH 20/05/2022
2		LABEL NOTES ADDED MH 31/07/2023



E2S PART NO.	DESCRIPTION	DATA REFERENCE
E2xC1X05F...	E2xC1X05F COMBINED ALARM FLARE SOUNDER & XENON STROBE BEACON	1.34.010
E2xC1LD2F...	E2xC1LD2F COMBINED ALARM FLARE SOUNDER & LED BEACON	1.34.016

NOTE:  
 FOR OPTIONAL DUTY LABEL SEE DRAWING D254-00-001  
 FOR OPTIONAL TAG PLATE SEE DRAWING D254-00-101

DRAWING TO BS8888:2000 GEOMETRIC TOLERANCES TO ISO1101:1983 LINEAR DIMENSIONAL TOLS ANGULAR DIMENSIONAL TOLS	DRAWN D.HOWGILL	DATE 20/05/2022	SURFACE FINISH	WEIGHT (kg)	THIS DRAWING AND ANY INFORMATION OR DESCRIPTIVE MATTER THEREIN IS COMMUNICATED IN CONFIDENCE AND IS THE COPYRIGHT PROPERTY OF EUROPEAN SAFETY SYSTEMS LTD. NEITHER THE WHOLE OR ANY EXTRACT MAY BE DISCLOSED, LOANED, COPIED OR USED FOR MANUFACTURING OR TENDERING PURPOSES WITHOUT THEIR WRITTEN CONSENT.	 EUROPEAN SAFETY SYSTEMS LTD WARRISS HOUSE MANSELL ROAD ACTON LONDON W3 7QH WWW.E2S.COM	ALL DIMENSIONS IN MM IF IN DOUBT, ASK - DO NOT SCALE	 A1
	CHECKED R.N.POTTS	DATE 20/05/2022	MATERIAL	ALTERNATIVE MATERIAL			TITLE E2xC1X05F / E2xC1LD2F OUTLINE DRG	
STANDARDS	APPROVED R.N.POTTS	DATE 20/05/2022			EUROPEAN SAFETY SYSTEMS LTD. AS PER LATEST DATE OF ISSUE SHOWN ABOVE			