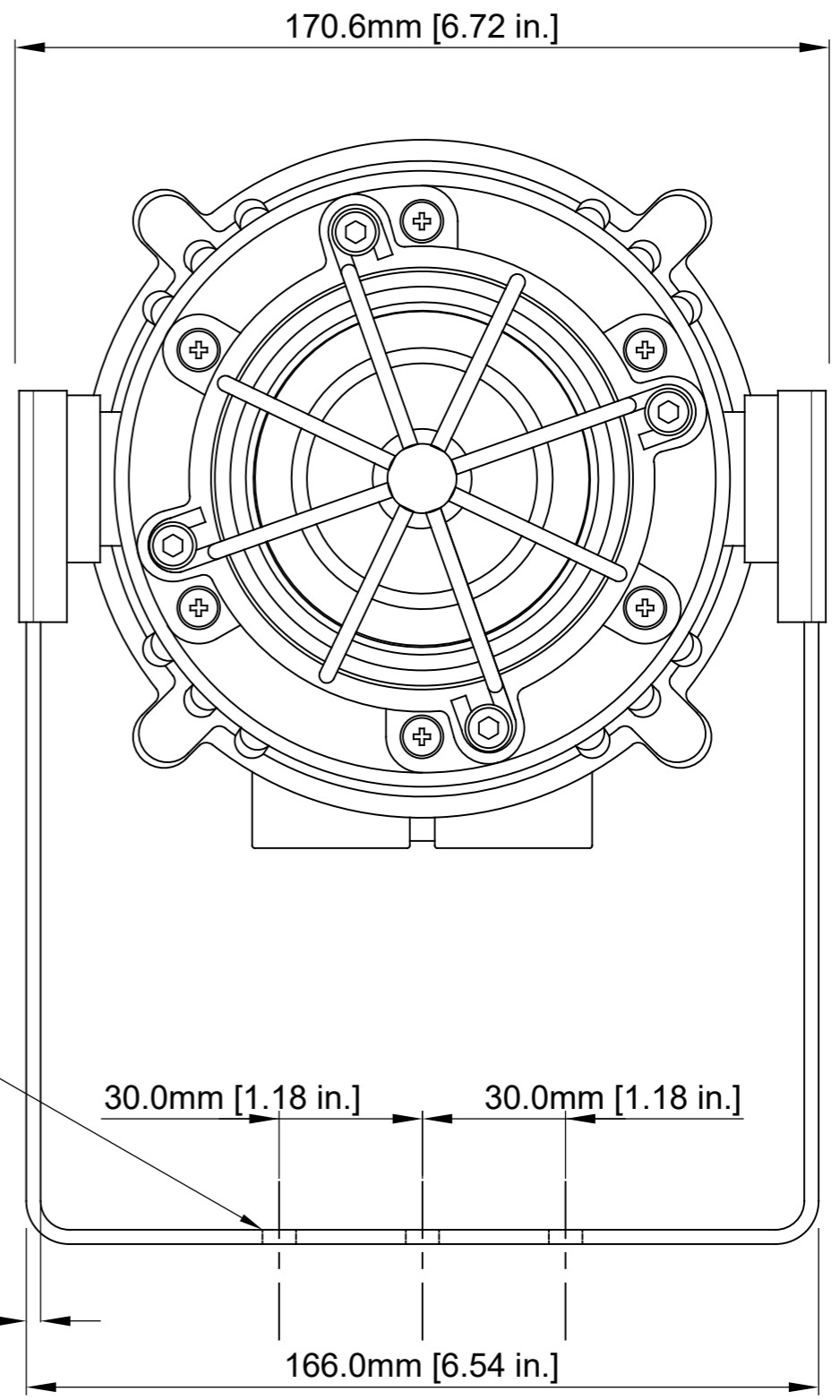
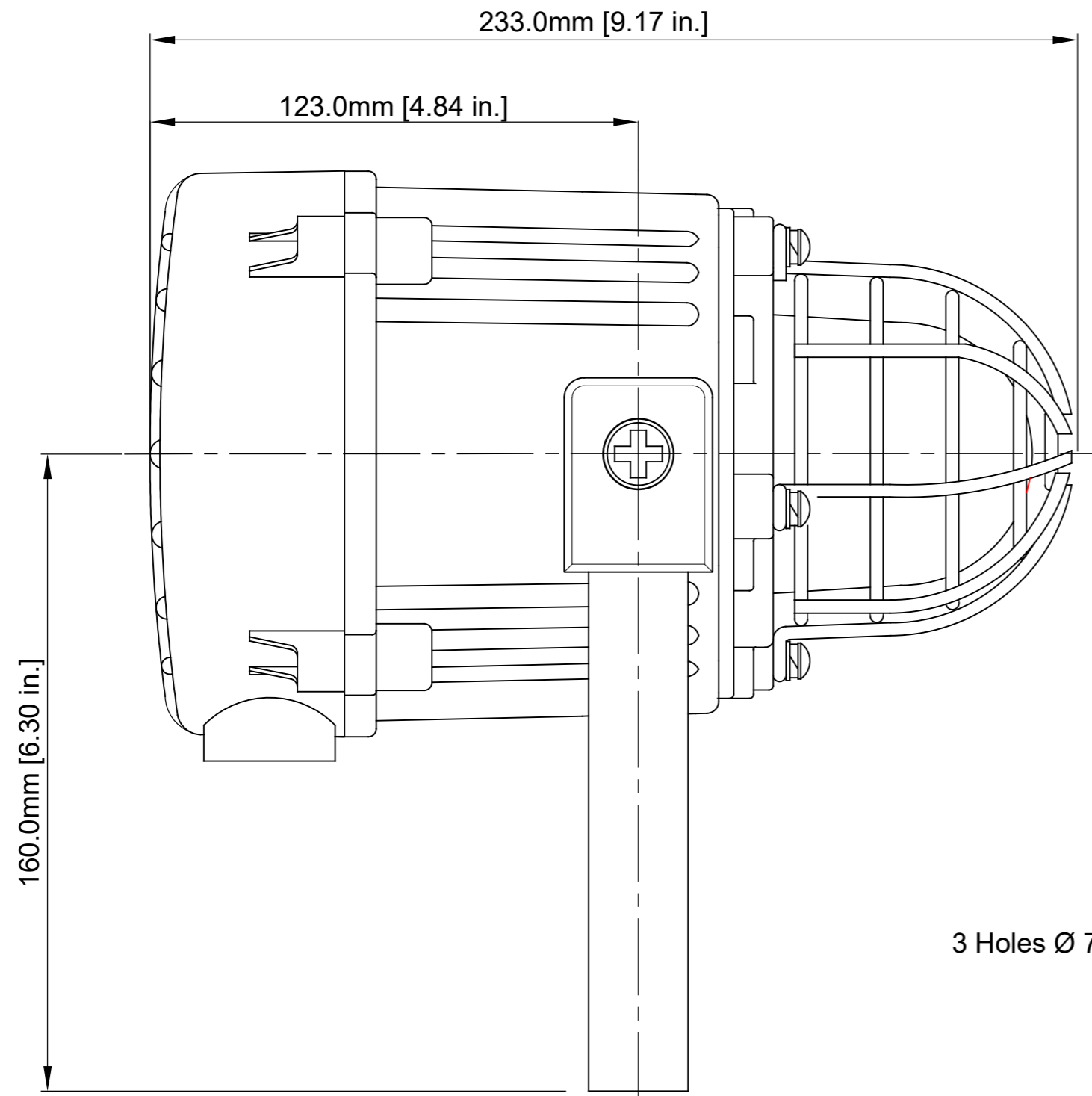


ISSUE	MOD No.	INITIAL/DATE
1		INTRODUCTION DH 20/05/2022
2		LABEL NOTES ADDED MM 31-07-2023



E2S PART NO.	DESCRIPTION	DATA REFERENCE
E2xB05...	E2xB05 XENON STROBE BEACON	1.31.010
E2xB10...	E2xB10 XENON STROBE BEACON	1.31.020
E2xBL2...	E2xBL2 LED BEACON	1.31.030

NOTE:  
 FOR OPTIONAL DUTY LABEL SEE DRAWING D254-00-001  
 FOR OPTIONAL TAG PLATE SEE DRAWING D254-00-101

DRAWING TO BS8888:2000 GEOMETRIC TOLERANCES TO ISO1101:1983 LINEAR DIMENSIONAL TOLS ANGULAR DIMENSIONAL TOLS	DRAWN D.HOWGILL	DATE 20/05/2022	SURFACE FINISH	WEIGHT (Kg)	THIS DRAWING AND ANY INFORMATION OR DESCRIPTIVE MATTER THEREIN IS COMMUNICATED IN CONFIDENCE AND IS THE COPYRIGHT PROPERTY OF EUROPEAN SAFETY SYSTEMS LTD. NEITHER THE WHOLE OR ANY EXTRACT MAY BE DISCLOSED, LOANED, COPIED OR USED FOR MANUFACTURING OR TENDERING PURPOSES WITHOUT THEIR WRITTEN CONSENT.	 EUROPEAN SAFETY SYSTEMS LTD IMPRESS HOUSE MANSELL ROAD ACTON LONDON W3 7QH WWW.E2S.COM	ALL DIMENSIONS IN MM IF IN DOUBT, ASK - DO NOT SCALE	 A2
	STANDARDS E2x	CHECKED R.N.POTTS	DATE 20/05/2022	MATERIAL			TITLE E2xB05 , E2xB10 , E2xBL2 Beacon	
	APPROVED R.N.POTTS	DATE 20/05/2022	ALTERNATIVE MATERIAL	EUROPEAN SAFETY SYSTEMS LTD. AS PER LATEST DATE OF ISSUE SHOWN ABOVE	SCALE 1:1	SHEET 1 OF 1	DRAWING NUMBER D209-05-201	