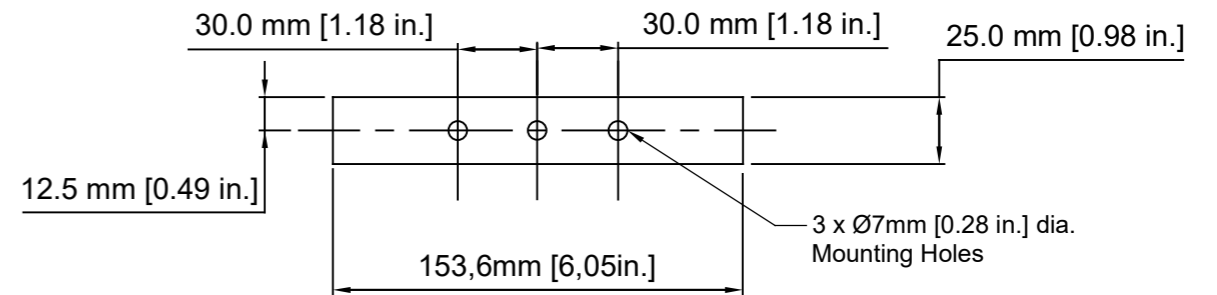
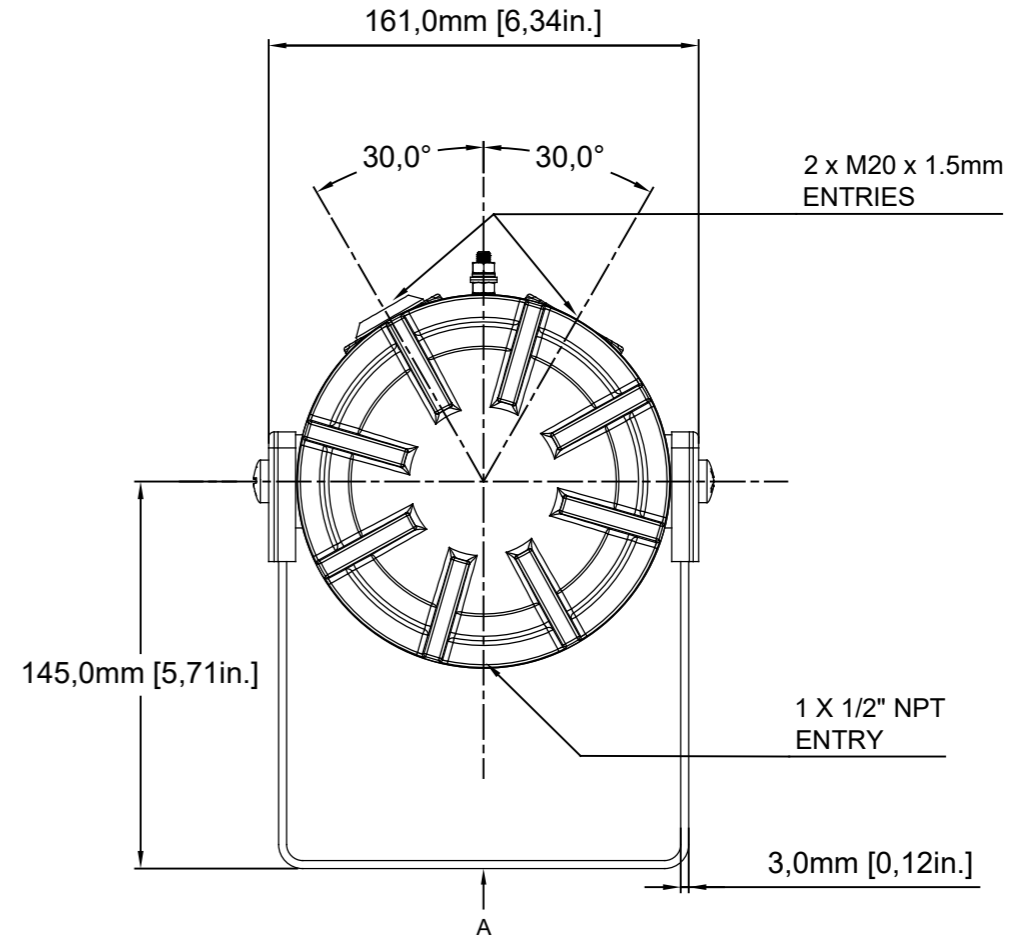
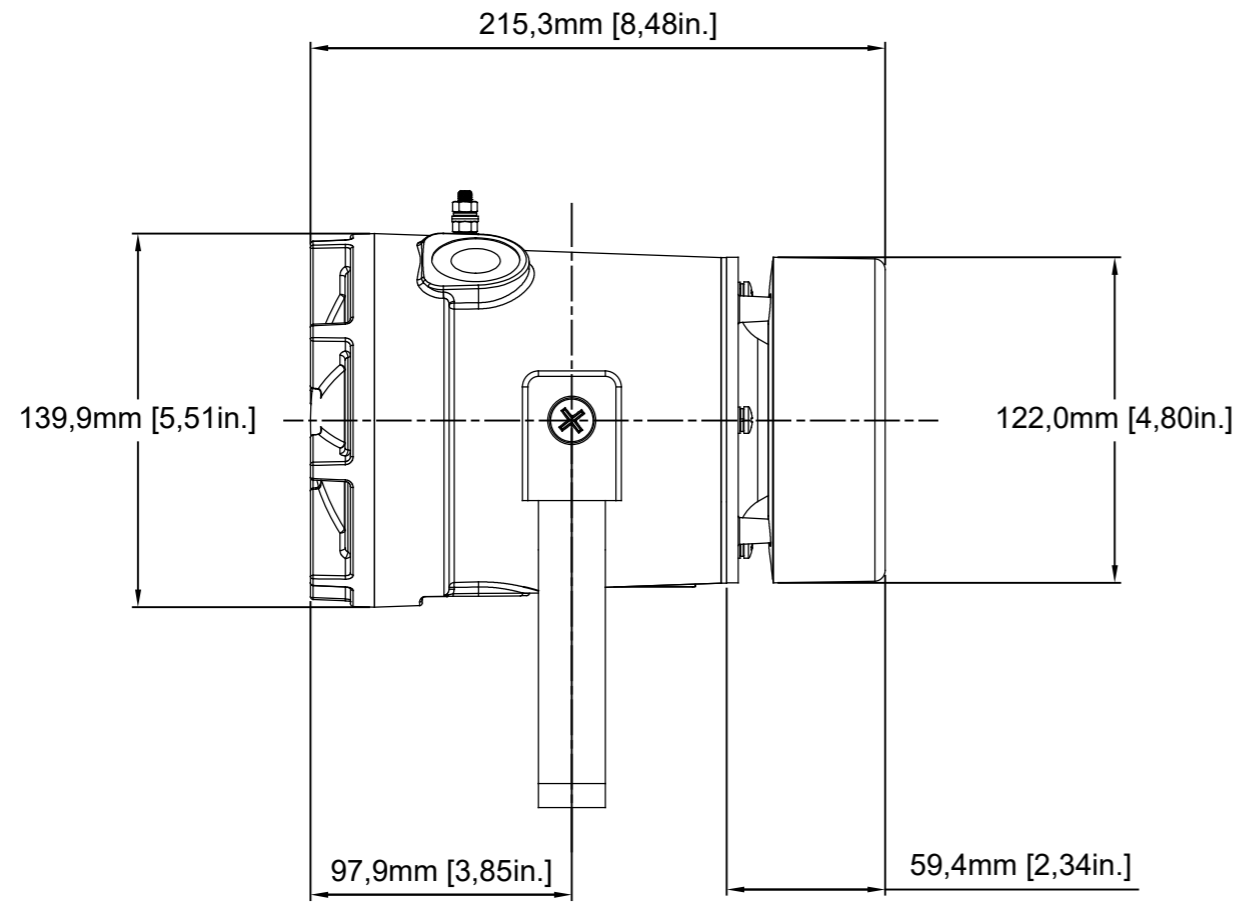


ISSUE	MOD No.	INITIAL/DATE
A		TAKEN FROM SK0364. OPTIONAL EQUIPMENT TAG SHOWN. RSR 22-04-2020
B		ENTRIES SHOWN. DRAWING NO. CORRECTED RSR 14-01-2022
C		OPTIONAL EQUIPMENT TAG REMOVED LABEL NOTES ADDED MM 31-07-2023



E2S PART NO.	DESCRIPTION	DATA REFERENCE
D1xS1R..	D1xS1 RADIAL ALARM SOUNDER (Ex d)	1.22.145

NOTE:

FOR OPTIONAL DUTY LABEL SEE DRAWING D254-00-001  
 FOR OPTIONAL TAG PLATE SEE DRAWING D254-00-101

DRAWING TO BS8888:2000 GEOMETRIC TOLERANCES TO ISO1101:1983 LINEAR DIMENSIONAL TOLS ANGULAR DIMENSIONAL TOLS	DRAWN R. S. RAIT	DATE 22-04-2020	SURFACE FINISH	WEIGHT (Kg)	THIS DRAWING AND ANY INFORMATION OR DESCRIPTIVE MATTER THEREIN IS COMMUNICATED IN CONFIDENCE AND IS THE COPYRIGHT PROPERTY OF EUROPEAN SAFETY SYSTEMS LTD. NEITHER THE WHOLE OR ANY EXTRACT MAY BE DISCLOSED, LOANED, COPIED OR USED FOR MANUFACTURING OR TENDERING PURPOSES WITHOUT THEIR WRITTEN CONSENT.  © EUROPEAN SAFETY SYSTEMS LTD. AS PER LATEST DATE OF ISSUE SHOWN ABOVE	 EUROPEAN SAFETY SYSTEMS LTD IMPRESS HOUSE MANSELL ROAD ACTON LONDON W3 7QH WWW.E2S.COM	ALL DIMENSIONS IN MM IF IN DOUBT, ASK - DO NOT SCALE	 <b>A2</b>		
	CHECKED B. ISARD	DATE 22-04-2020	MATERIAL				TITLE <b>D1x S1R RADIAL Ex d RANGE - SOUNDER OUTLINE</b>	SCALE 1:2	SHEET 1 OF 1	DRAWING NUMBER <b>D190-05-021</b>
	STANDARDS D1x	APPROVED R. N. POTTS	DATE 22-04-2020	ALTERNATIVE MATERIAL						