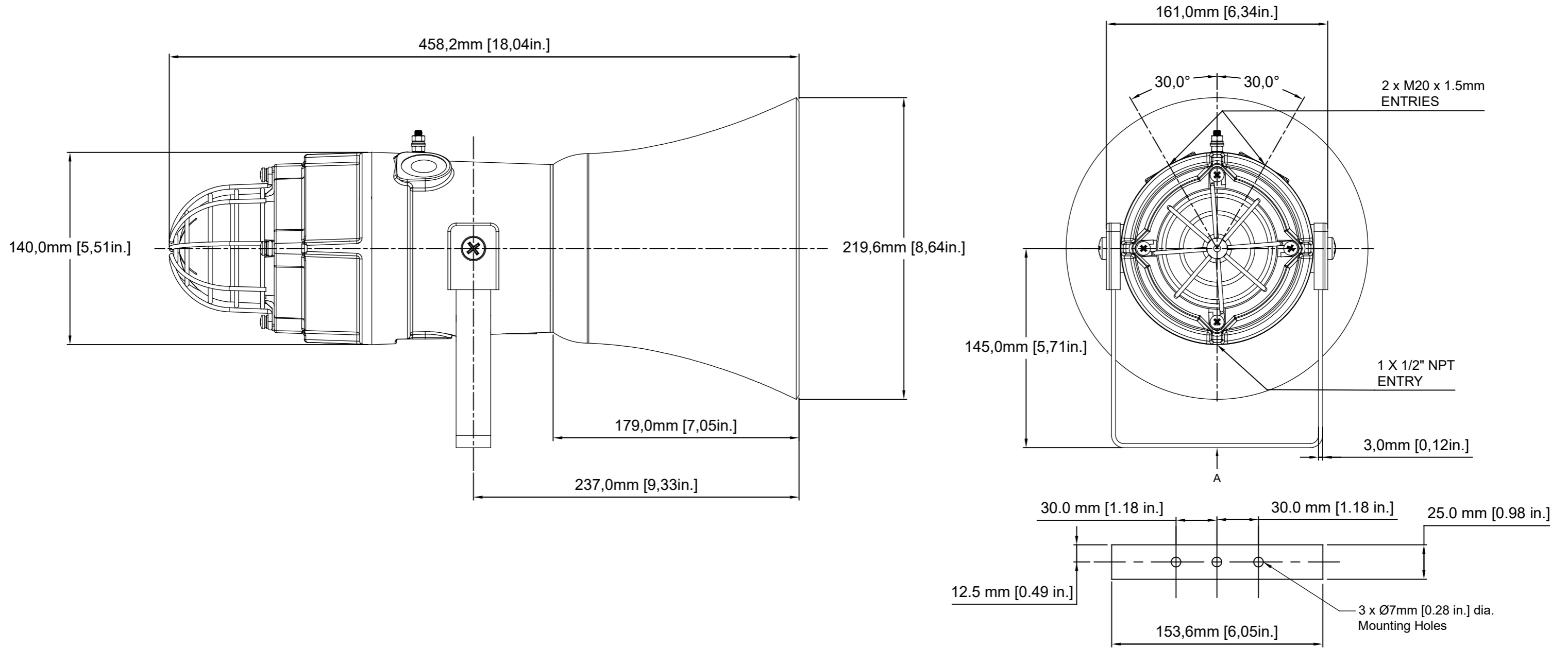


ISSUE	MOD No.	INITIAL/DATE
A		TAKEN FROM SK0362. OPTIONAL EQUIPMENT TAG SHOWN. RSR 22-04-2020
B		ENTRIES SHOWN. DRAWING NO. CORRECTED RSR 14-01-2022
C		OPTIONAL EQUIPMENT TAG REMOVED LABEL NOTES ADDED MM 31-07-2023



E2S PART NO.	DESCRIPTION	DATA REFERENCE
D1xC2X05F	D1xC2X05 COMBINED 5J BEACON AND S2 SOUNDER (Ex d VERSION)	1.23.070
D1xC2X10F	DD1XC2X10 COMBINED 10J BEACON AND S2 SOUNDER (Ex d VERSION)	1.23.080

NOTE:
 FOR OPTIONAL DUTY LABEL SEE DRAWING D254-00-001
 FOR OPTIONAL TAG PLATE SEE DRAWING D254-00-101

DRAWING TO BS8888:2000 GEOMETRIC TOLERANCES TO ISO1101:1983 LINEAR DIMENSIONAL TOLS ANGULAR DIMENSIONAL TOLS	DRAWN R. S. RAIT	DATE 22-04-2020	SURFACE FINISH	WEIGHT (Kg)	THIS DRAWING AND ANY INFORMATION OR DESCRIPTIVE MATTER THEREIN IS COMMUNICATED IN CONFIDENCE AND IS THE COPYRIGHT PROPERTY OF EUROPEAN SAFETY SYSTEMS LTD. NEITHER THE WHOLE OR ANY EXTRACT MAY BE DISCLOSED, LOANED, COPIED OR USED FOR MANUFACTURING OR TENDERING PURPOSES WITHOUT THEIR WRITTEN CONSENT.	 EUROPEAN SAFETY SYSTEMS LTD IMPRESS HOUSE MANSELL ROAD ACTON LONDON W3 7QH WWW.E2S.COM	ALL DIMENSIONS IN MM IF IN DOUBT, ASK - DO NOT SCALE	 A2
	CHECKED B. ISARD	DATE 22-04-2020						
STANDARDS D1x	APPROVED R. N. POTTS	DATE 22-04-2020	ALTERNATIVE MATERIAL	EUROPEAN SAFETY SYSTEMS LTD. AS PER LATEST DATE OF ISSUE SHOWN ABOVE	TITLE D1xC2 Ex d RANGE - SOUNDER OUTLINE	SCALE 1:2	SHEET 1 OF 1	DRAWING NUMBER D190-05-341