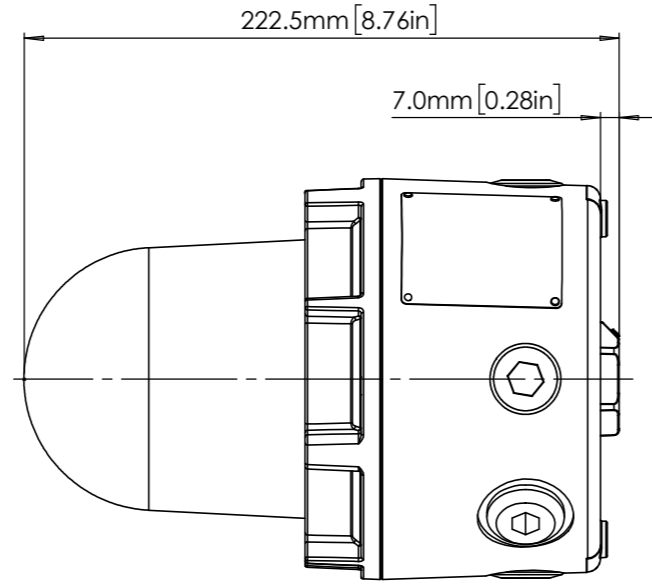
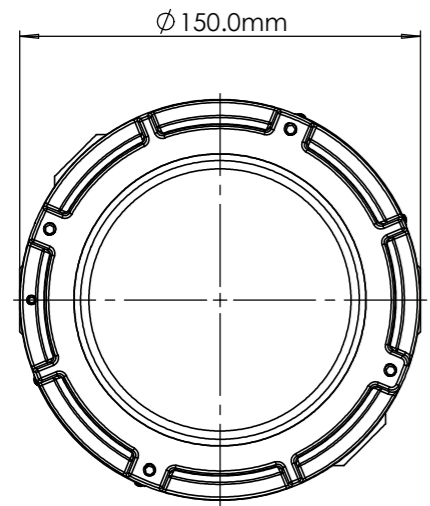
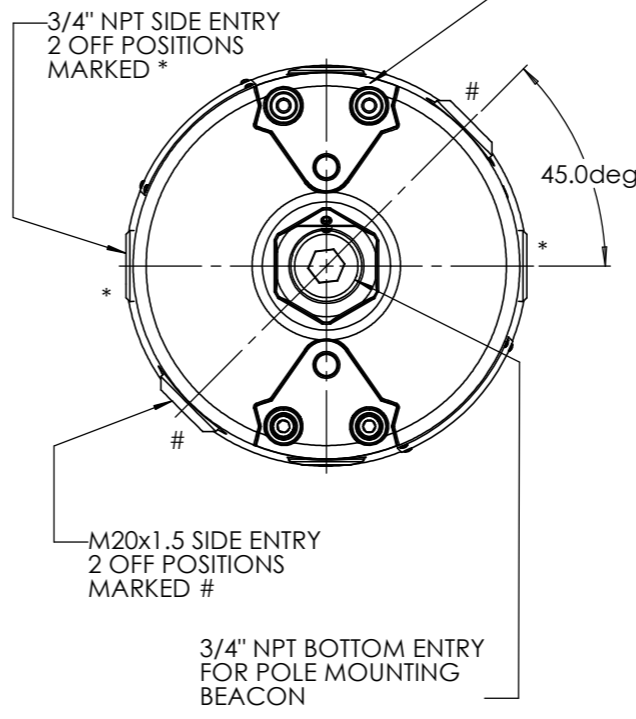


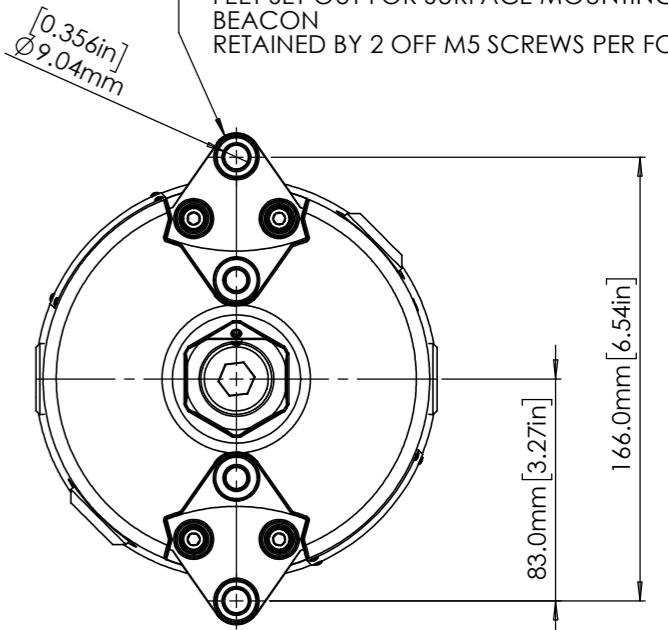
ISSUE	MOD No.	REASON - INITIAL - DATE
1		INTRODUCTION RNP 09-04-2018
2		LABEL NOTES ADDED MM 31-07-2023



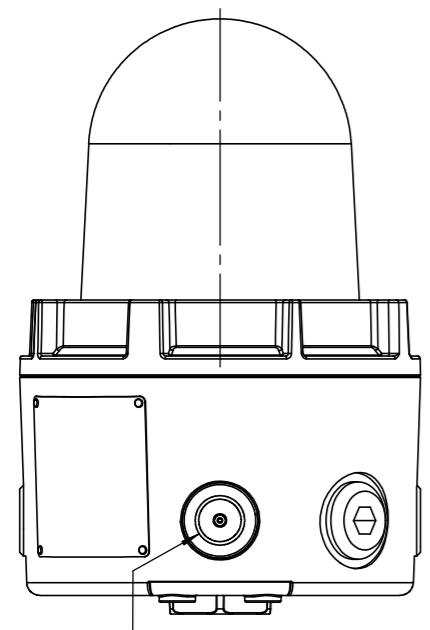
2 OFF FEET SUPPLIED IN STOWED POSITION  
SUITABLE FOR POLE OR BRACKET  
MOUNTING BEACON  
RETAINED BY 2 OFF M5 SCREWS PER FOOT



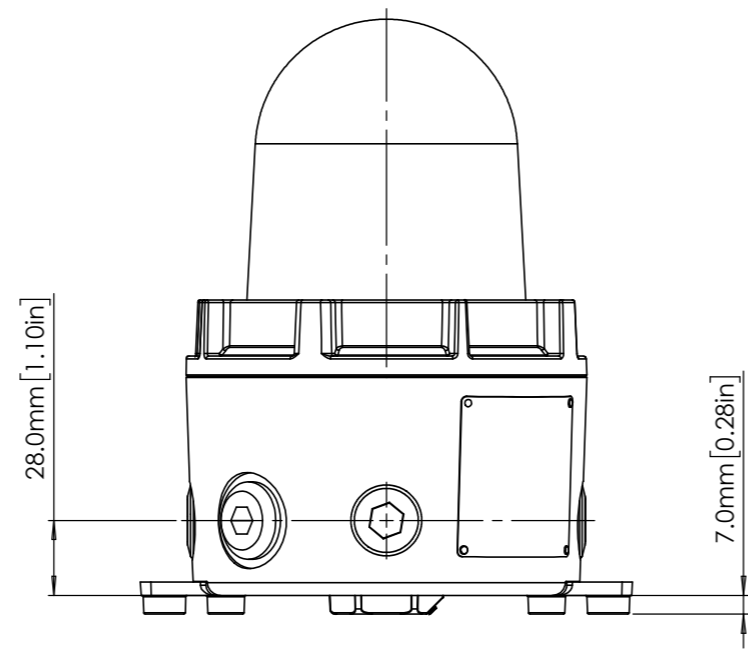
2 OFF FEET CONFIGURED WITH MOUNTING  
FEET SET OUT FOR SURFACE MOUNTING  
BEACON  
RETAINED BY 2 OFF M5 SCREWS PER FOOT



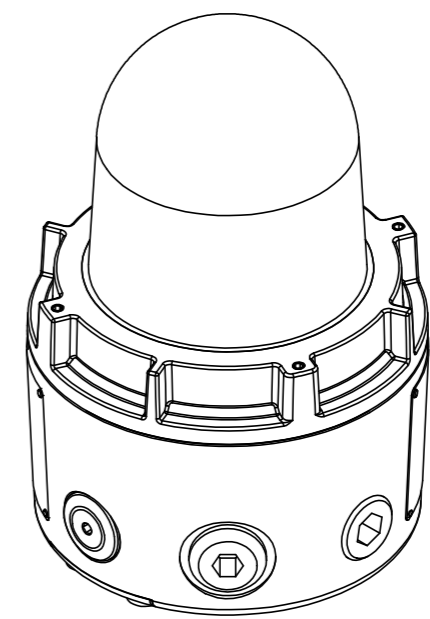
BASE CONFIGURED WITH MOUNTING  
FEET SET OUT FOR SURFACE MOUNTING  
BEACON



BRACKET MOUNTING COVER BOSSES  
2 POSITIONS  
REMOVED WHEN OPTIONAL BRACKET  
IS TO BE MOUNTED



BASE CONFIGURED WITH MOUNTING  
FEET SET OUT FOR SURFACE MOUNTING  
BEACON



E2S PART No.	DESCRIPTION	DATA REFERENCE
D1xB2XH1DC024	D1xB2 10J XENON BEACON PUBLIC MODE UL1971	1-21-200
D1xB2XH2DC024	D1xB2 21J XENON BEACON PUBLIC MODE UL1971	1-21-201

NOTE:  
FOR OPTIONAL DUTY LABEL SEE DRAWING D254-00-001  
FOR OPTIONAL TAG PLATE SEE DRAWING D254-00-101

DRAWING TO BS8888:2000 GEOMETRIC TOLERANCES TO ISO1101:1983 LINEAR DIMENSIONAL TOLS ANGULAR DIMENSIONAL TOLS	DRAWN R.N.POTTS DATE 09-04-2018	SURFACE FINISH WEIGHT (kg)	MATERIAL	ALTERNATIVE MATERIAL	THIS DRAWING AND ANY INFORMATION OR DESCRIPTIVE MATTER THEREIN IS COMMUNICATED IN CONFIDENCE AND IS THE COPYRIGHT PROPERTY OF EUROPEAN SAFETY SYSTEMS LTD. NEITHER THE WHOLE OR ANY EXTRACT MAY BE DISCLOSED, LOANED, COPIED OR USED FOR MANUFACTURING OR TENDERING PURPOSES WITHOUT THEIR WRITTEN CONSENT.	 EUROPEAN SAFETY SYSTEMS LTD IMPRESS HOUSE MANSELL ROAD ACTON LONDON W3 7QH WWW.E2S.COM	ALL DIMENSIONS IN MM IF IN DOUBT, ASK - DO NOT SCALE	 A2	
	CHECKED B.ISARD DATE 09-04-2018								TITLE D1xB2XH1 XH2 BEACON - PUBLIC MODE FIRE UL1971 OUTLINE DRAWING
	APPROVED R.N.POTTS DATE 09-04-2018								