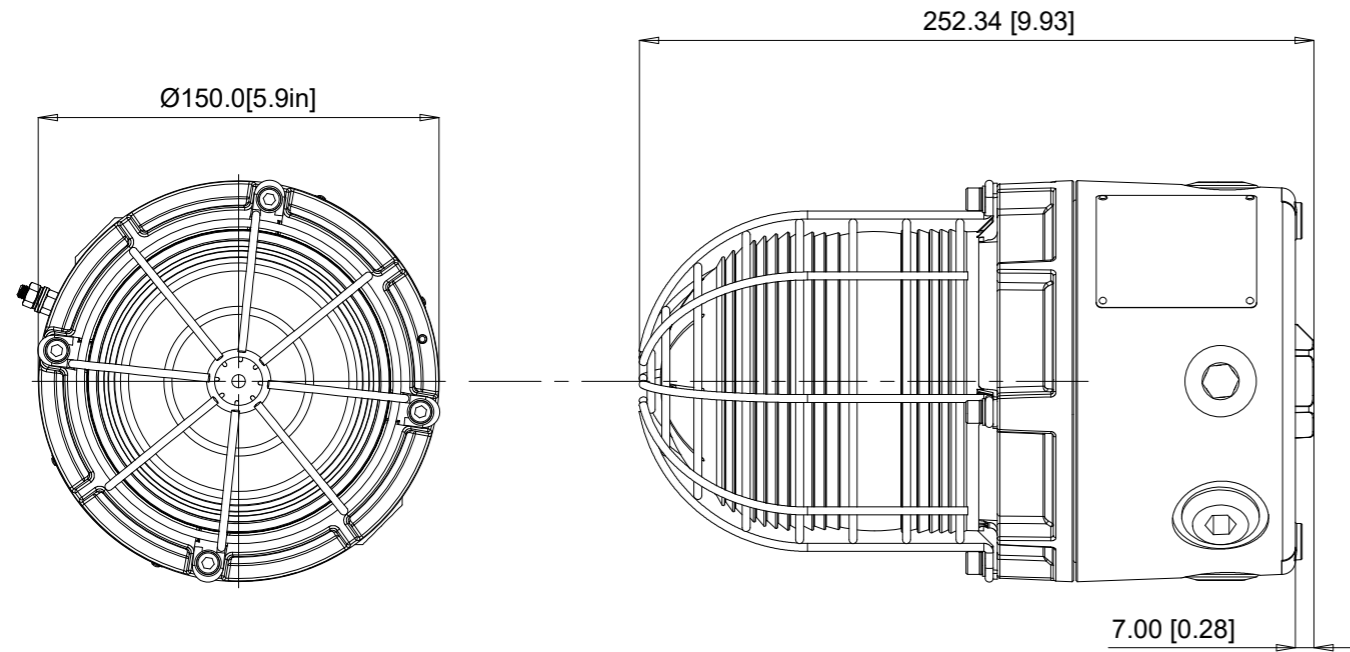
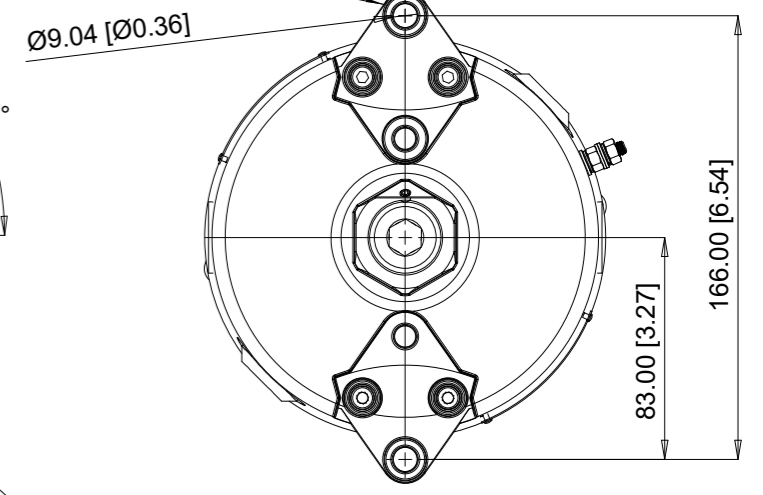
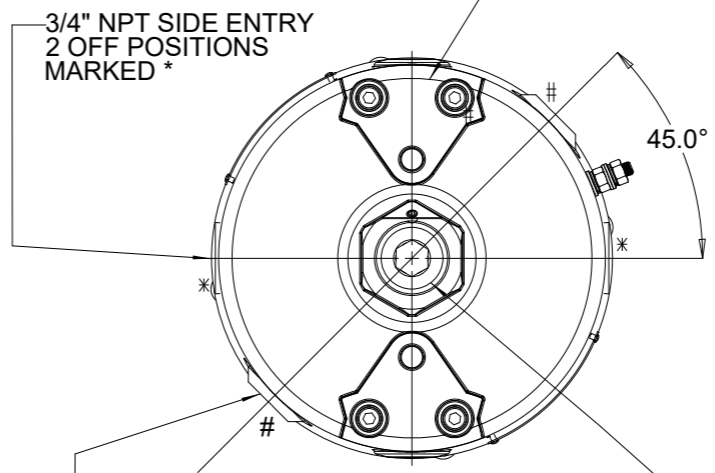


ISSUE	MOD No.	REASON - INITIAL - DATE
3		OPTIONAL EQUIPMENT TAG SHOWN RSR 21-04-2020
4		OPTIONAL EQUIPMENT TAG REMOVED LABEL NOTES ADDED MM 31-07-2023



2 OFF FEET SUPPLIED IN STOWED POSITION
SUITABLE FOR CONDUIT OR BRACKET
MOUNTING BEACON
RETAINED BY 2 OFF M5 SCREWS PER FOOT

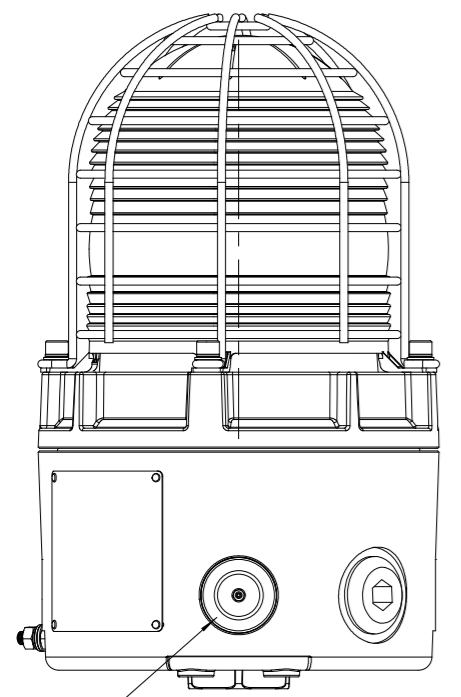
2 OFF FEET CONFIGURED WITH MOUNTING
FEET SET OUT FOR SURFACE MOUNTING
BEACON
RETAINED BY 2 OFF M5 SCREWS PER FOOT



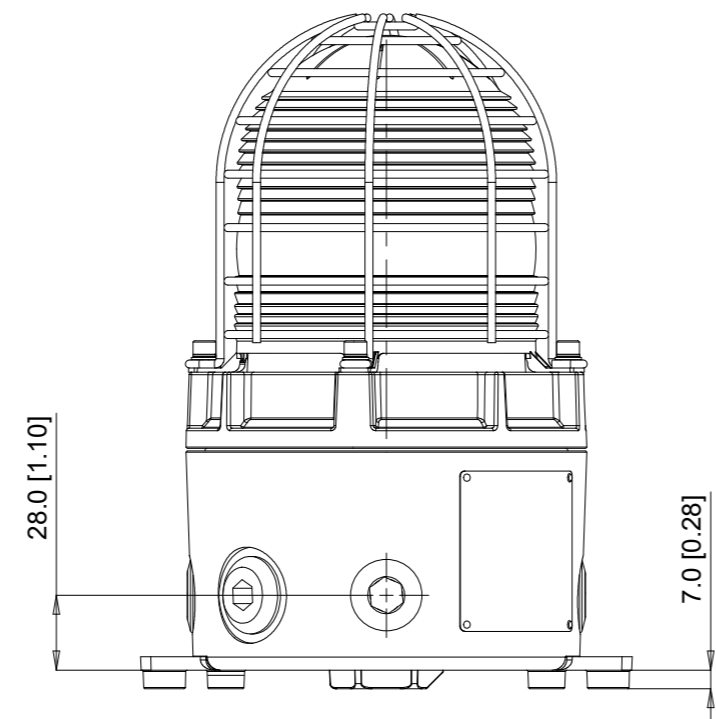
M20x1.5 SIDE ENTRY
2 OFF POSITIONS
MARKED #

$3/4"$ NPT CONDUIT ENTRY
FOR CONDUIT MOUNTING
BEACON

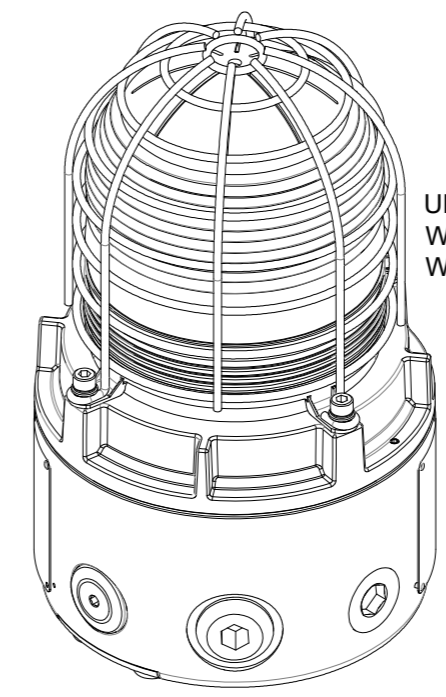
BASE CONFIGURED WITH MOUNTING
FEET SET OUT FOR SURFACE MOUNTING
BEACON



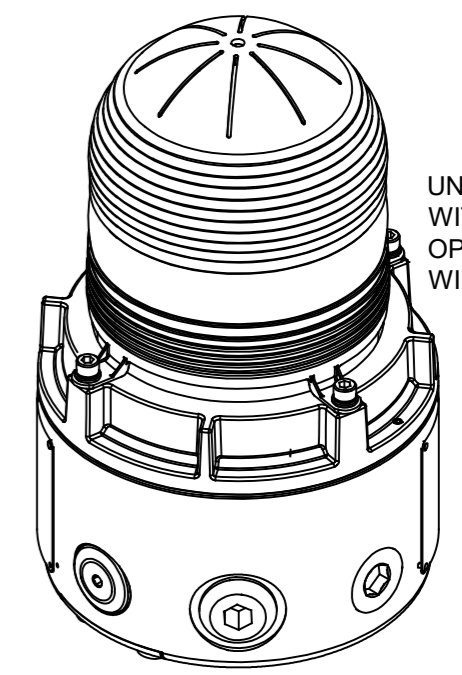
BRACKET MOUNTING COVER BOSSES
2 POSITIONS
REMOVED WHEN OPTIONAL BRACKET SP77-0001
IS TO BE MOUNTED



BASE CONFIGURED WITH MOUNTING
FEET SET OUT FOR SURFACE MOUNTING
BEACON



UNIT SHOWN
WITH OPTIONAL
WIRE GUARD



UNIT SHOWN
WITHOUT
OPTIONAL
WIRE GUARD

E2S PART No.	DESCRIPTION	DATA REFERENCE
D1xB2X05	D1xB2 5J XENON BEACON PRIVATE MODE UL1638	1-21-202
D1xB2X10	D1xB2 10J XENON BEACON PRIVATE MODE UL1638	1-21-203
D1xB2X15	D1xB2 15J XENON BEACON PRIVATE MODE UL1638	1-21-204
D1xB2X21	D1xB2 21J XENON BEACON PRIVATE MODE UL1638	1-21-205
D1xB2LD2	D1xB2 LED BEACON	1-21-206

DRAWING TO BS8888:2000 GEOMETRIC TOLERANCES TO ISO1101:1983 LINEAR DIMENSIONAL TOLS ANGULAR DIMENSIONAL TOLS	DRAWN	R.S.RAIT	DATE	05-07-2018
	CHECKED	R.N.POTTS	DATE	05-07-2018
	APPROVED	R.N.POTTS	DATE	05-07-2018
STANDARDS				

SURFACE FINISH	WEIGHT (kg)
MATERIAL	
ALTERNATIVE MATERIAL	

THIS DRAWING AND ANY INFORMATION OR DESCRIPTIVE
MATTER THEREIN IS COMMUNICATED IN CONFIDENCE AND
IS THE COPYRIGHT PROPERTY OF EUROPEAN SAFETY
SYSTEMS LTD. NEITHER THE WHOLE OR ANY EXTRACT MAY
BE DISCLOSED, LOANED, COPIED OR USED FOR
MANUFACTURING OR TENDERING PURPOSES WITHOUT THEIR
WRITTEN CONSENT.

EUROPEAN SAFETY SYSTEMS LTD.
AS PER LATEST DATE OF ISSUE SHOWN ABOVE



ALL DIMENSIONS IN MM IF IN DOUBT, ASK - DO NOT SCALE				A2
TITLE: D1xB2X & D1xB2LD2 BEACON - OUTLINE DRAWING				
SCALE	SHEET	DRAWING NUMBER		
1:1	1 OF 1	D191-05-201		

NOTE:
FOR OPTIONAL DUTY LABEL SEE DRAWING D254-00-001
FOR OPTIONAL TAG PLATE SEE DRAWING D254-00-101