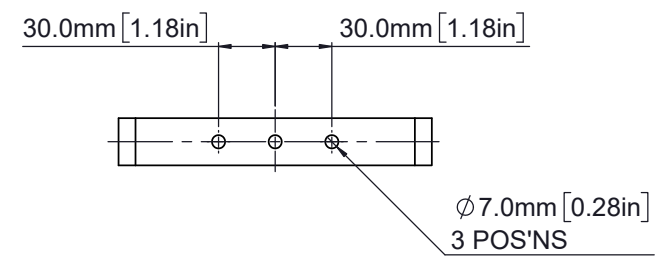
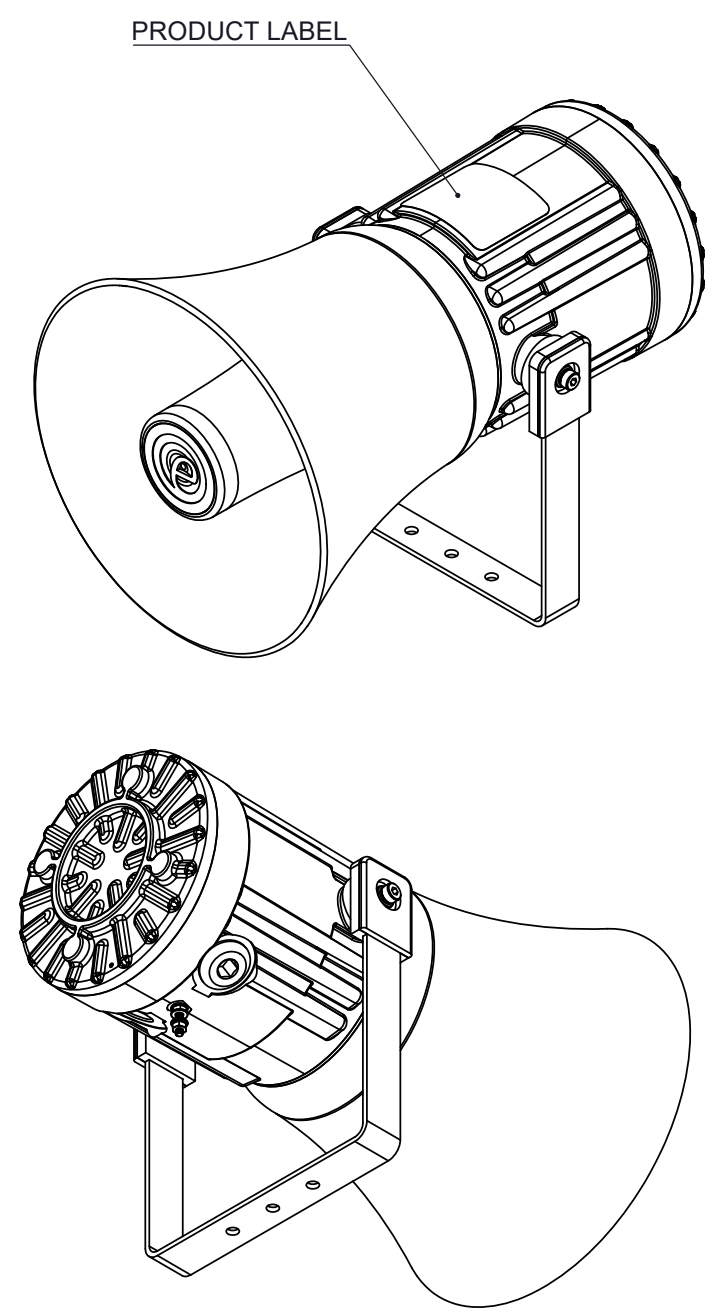
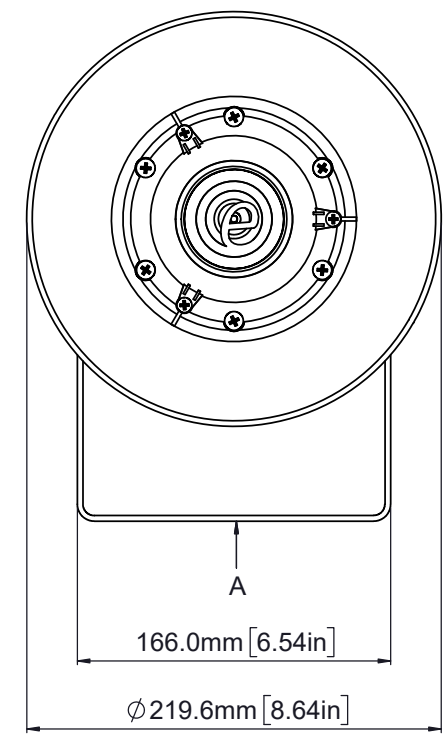
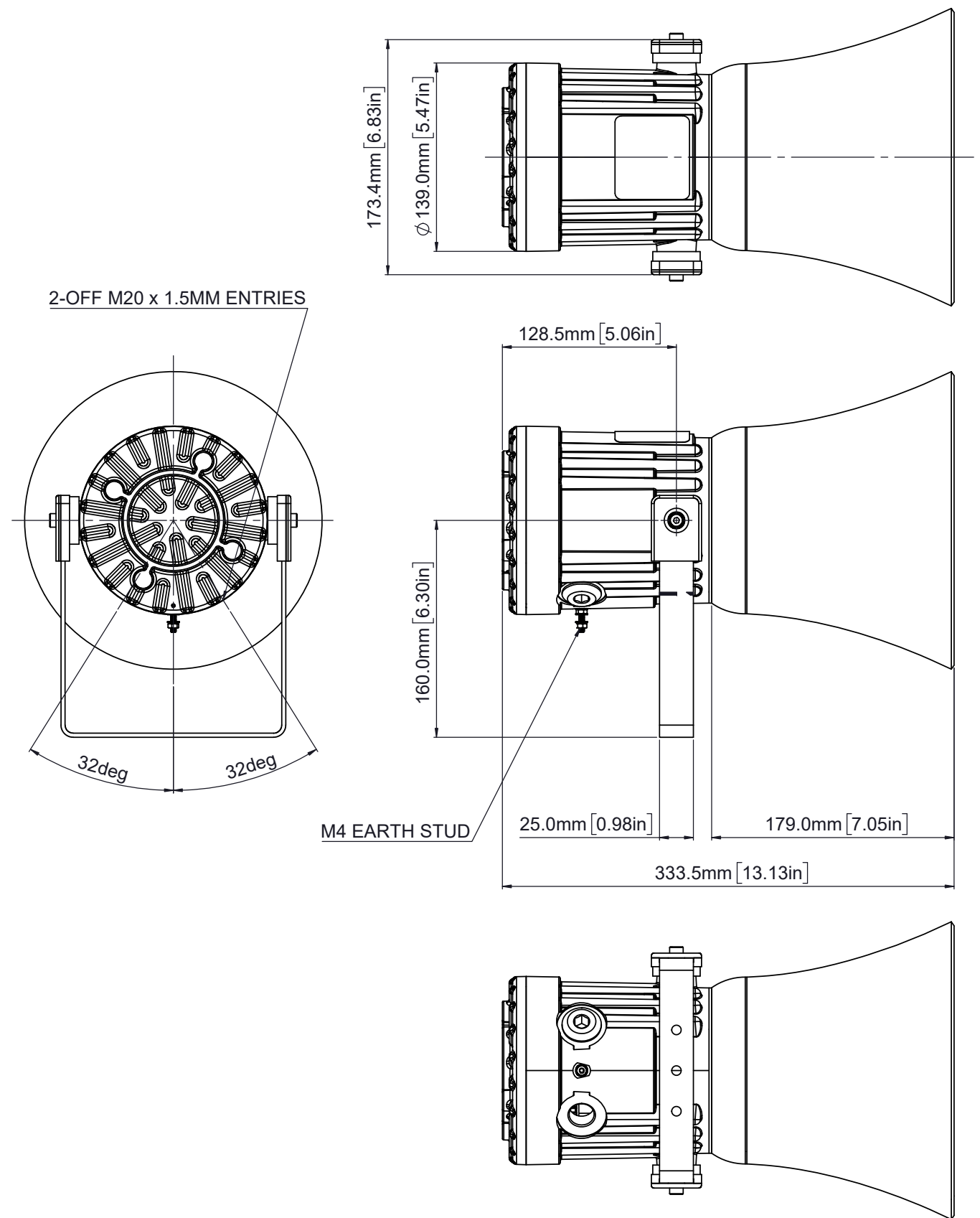


ISSUE	MOD No.	REASON - INITIAL - DATE
1		Introduction JS - 23/03/2021
2		LABEL NOTES ADDED MM 31-07-2023



E2S PART NO.	DESCRIPTION	DATA REFERENCE
GNEXS2F	GNEX S2 FLARE ALARM SOUNDER (Ex d VERSION)	1-22-020
GNEXL2F	GNEX L2 FLARE LOUDSPEAKER (Ex d VERSION)	1-22-110

NOTE:
 FOR OPTIONAL DUTY LABEL SEE DRAWING D254-00-001
 FOR OPTIONAL TAG PLATE SEE DRAWING D254-00-101

DRAWING TO BS888:2000 GEOMETRIC TOLERANCES TO ISO1101:1983 LINEAR DIMENSIONAL TOOLS ANGULAR DIMENSIONAL TOOLS	DRAWN	DATE	SURFACE FINISH	WEIGHT (kg)	THIS DRAWING AND ANY INFORMATION OR DESCRIPTIVE MATTER THEREIN IS COMMUNICATED IN CONFIDENCE AND IS THE COPYRIGHT PROPERTY OF EUROPEAN SAFETY SYSTEMS LTD. NEITHER THE WHOLE OR ANY EXTRACT MAY BE DISCLOSED, LOANED, COPIED OR USED FOR MANUFACTURING OR TENDERING PURPOSES WITHOUT THEIR WRITTEN CONSENT.	 EUROPEAN SAFETY SYSTEMS LTD IMPRESS HOUSE MANSELL ROAD ACTON LONDON W3 7QH WWW.E2S.COM	ALL DIMENSIONS IN MM IF IN DOUBT, ASK - DO NOT SCALE	 A1
	CHECKED	DATE	MATERIAL				TITLE	
STANDARDS	R.POTTS	23/03/21	GRP		GNEXS2F / GNEXL2F SOUNDER OUTLINE DRAWING	SCALE 1:2	SHEET 1 OF 1	DRAWING NUMBER D157-05-101
	APPROVED	DATE	ALTERNATIVE MATERIAL					
GNEX Range	R.POTTS	23/03/21			EUROPEAN SAFETY SYSTEMS LTD. AS PER LATEST DATE OF ISSUE SHOWN ABOVE			