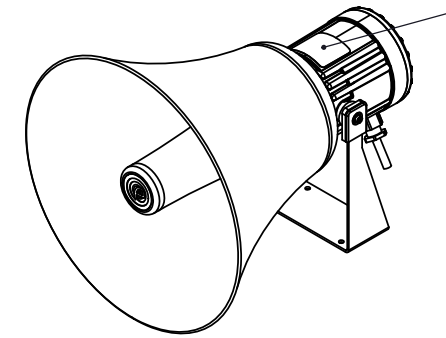
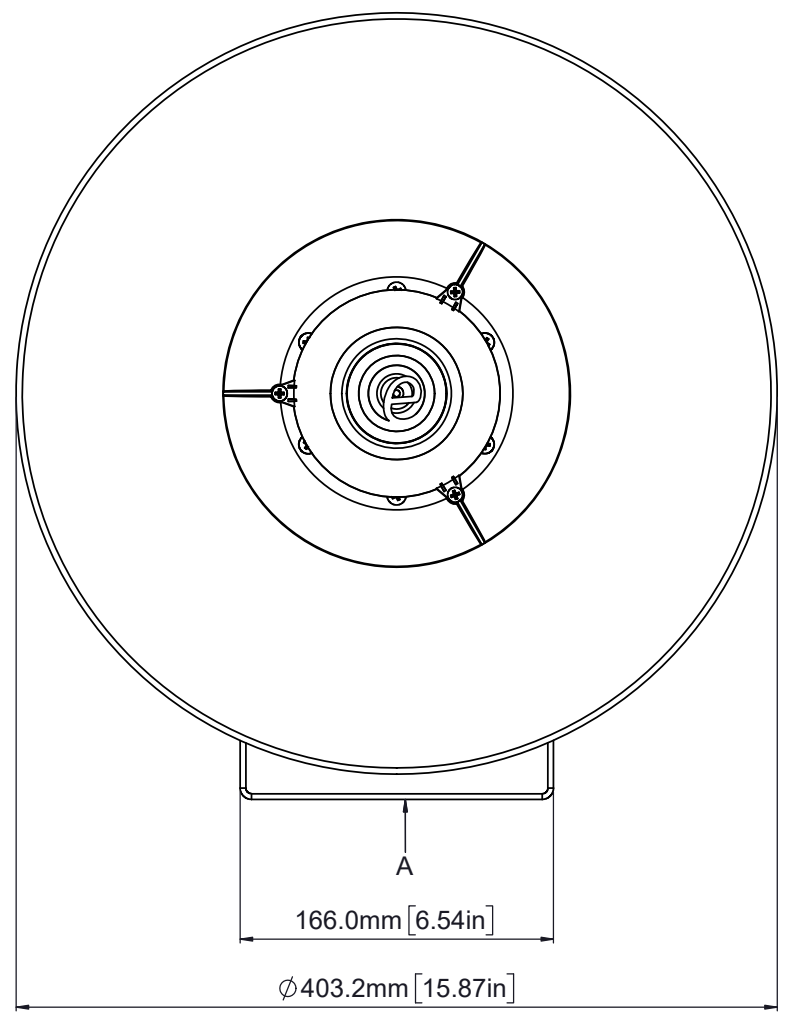
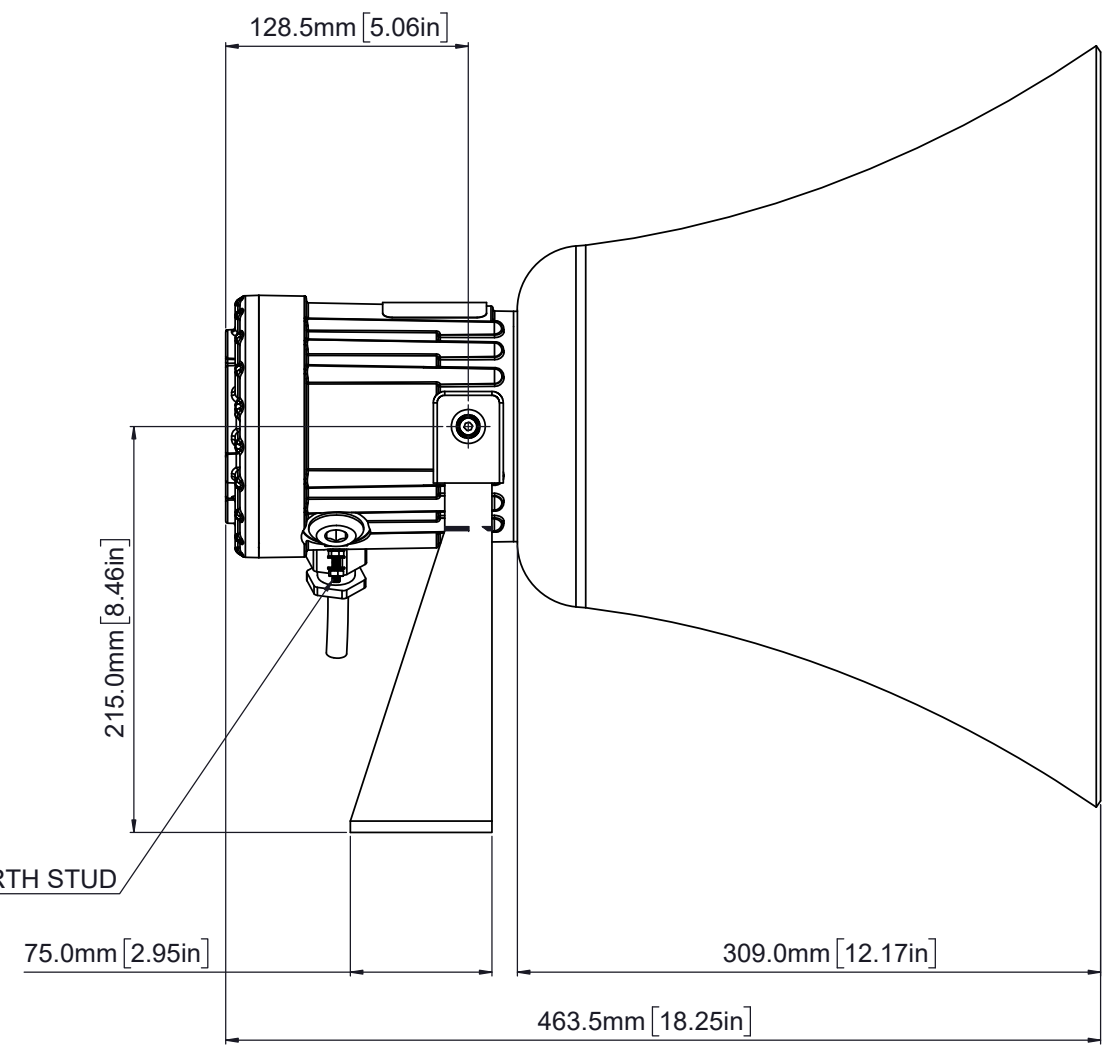
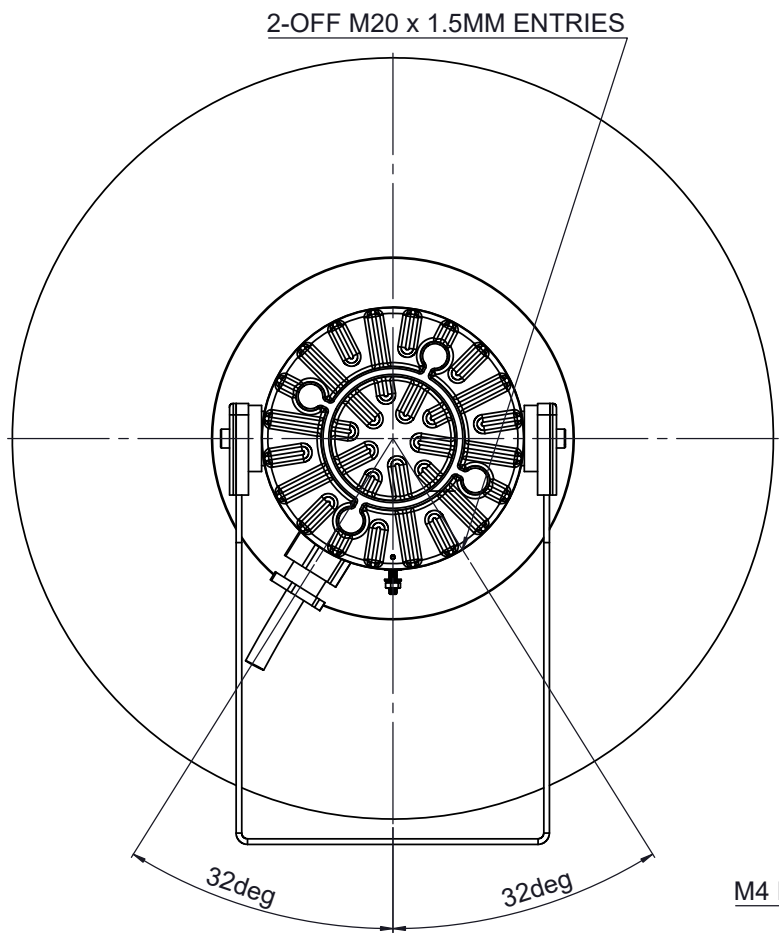
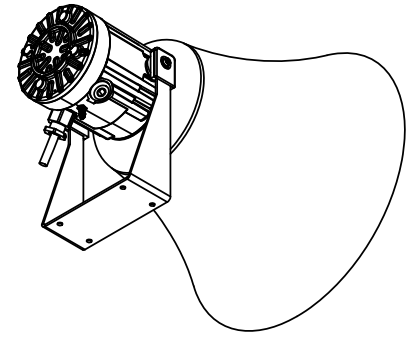


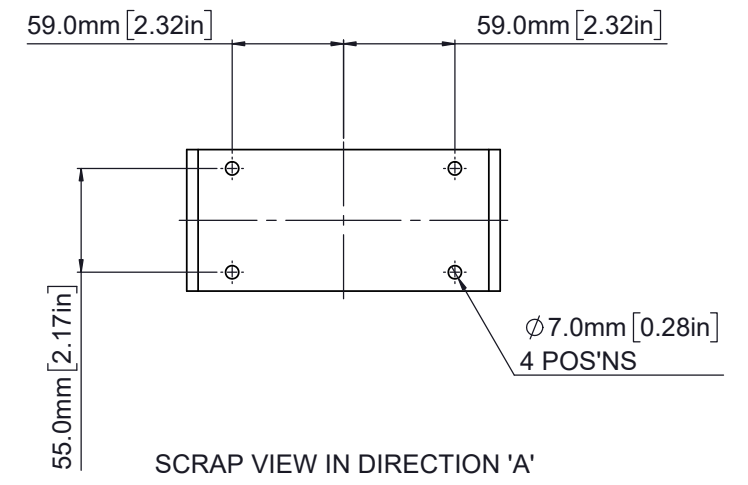
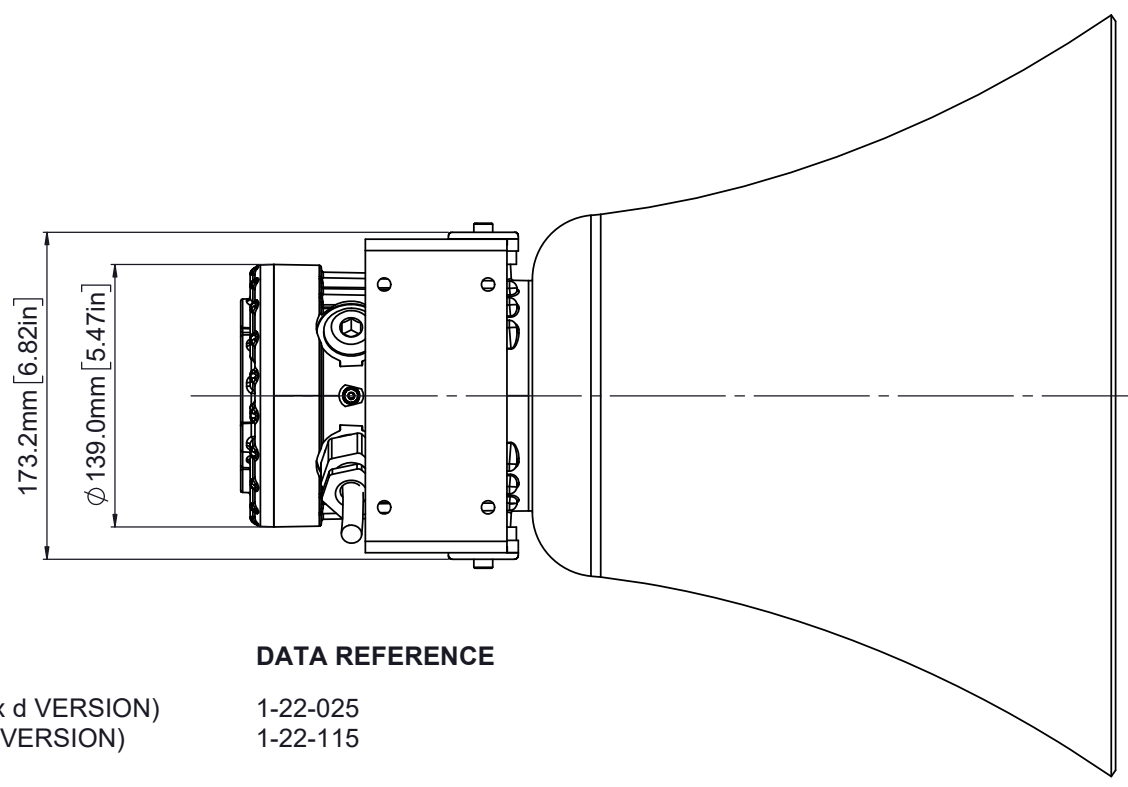
ISSUE	MOD No.	REASON - INITIAL - DATE
1		Introduction JS - 23/03/2021
2		LABEL NOTES ADDED MM 31-07-2023



PRODUCT LABEL



SCALE 1:5



E2S PART NO.	DESCRIPTION	DATA REFERENCE
GNExS2H	GNEX S2 LARGE FLARE ALARM SOUNDER (Ex d VERSION)	1-22-025
GNExL2H	GNEX L2 LARGE FLARE LOUDSPEAKER (Ex d VERSION)	1-22-115

NOTE:  
FOR OPTIONAL DUTY LABEL SEE DRAWING D254-00-001  
FOR OPTIONAL TAG PLATE SEE DRAWING D254-00-101

DRAWING TO BS888:2000 GEOMETRIC TOLERANCES TO ISO1101:1983 LINEAR DIMENSIONAL TOLS ANGULAR DIMENSIONAL TOLS	DRAWN	DATE	SURFACE FINISH	WEIGHT (kg)	THIS DRAWING AND ANY INFORMATION OR DESCRIPTIVE MATTER THEREIN IS COMMUNICATED IN CONFIDENCE AND IS THE COPYRIGHT PROPERTY OF EUROPEAN SAFETY SYSTEMS LTD. NEITHER THE WHOLE OR ANY EXTRACT MAY BE DISCLOSED, LOANED, COPIED OR USED FOR MANUFACTURING OR TENDERING PURPOSES WITHOUT THEIR WRITTEN CONSENT.	 EUROPEAN SAFETY SYSTEMS LTD IMPRESS HOUSE MANSELL ROAD ACTON LONDON W3 7QH WWW.E2S.COM	ALL DIMENSIONS IN MM IF IN DOUBT, ASK - DO NOT SCALE	 A1
	CHECKED	DATE	MATERIAL					
STANDARDS	R.POTTS	23/03/21	GRP		EUROPEAN SAFETY SYSTEMS LTD. AS PER LATEST DATE OF ISSUE SHOWN ABOVE	TITLE GNExS2H / GNExL2H SOUNDER OUTLINE DRAWING	SCALE 1:2	SHEET 1 OF 1
	APPROVED	DATE	ALTERNATIVE MATERIAL					
GNEx Range	R.POTTS	23/03/21						