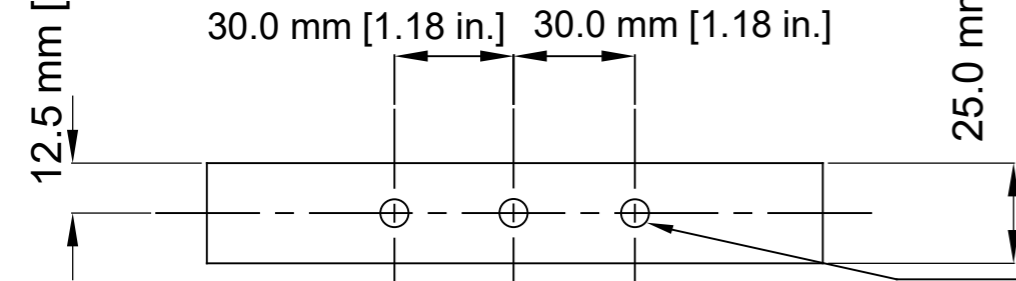
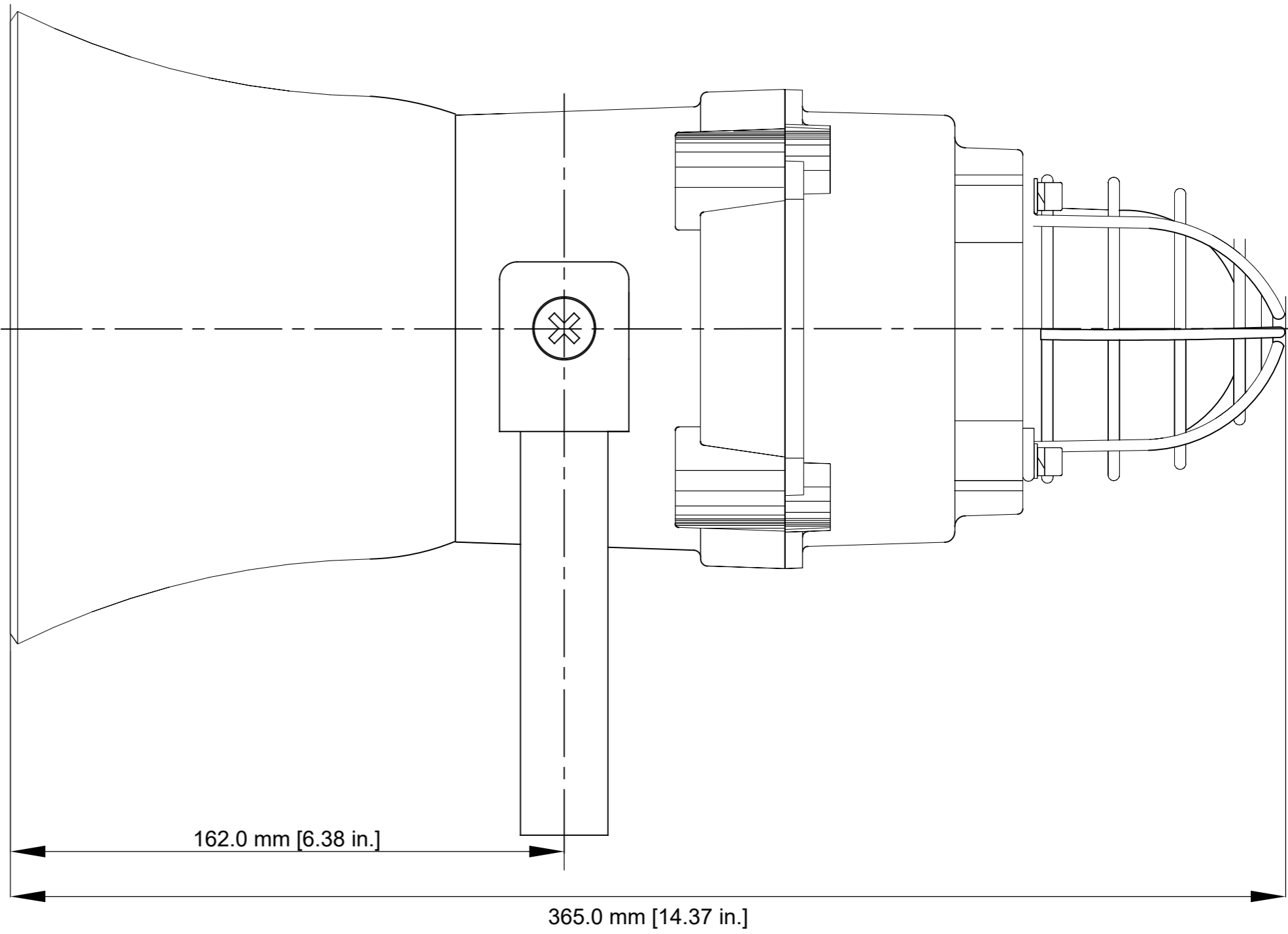
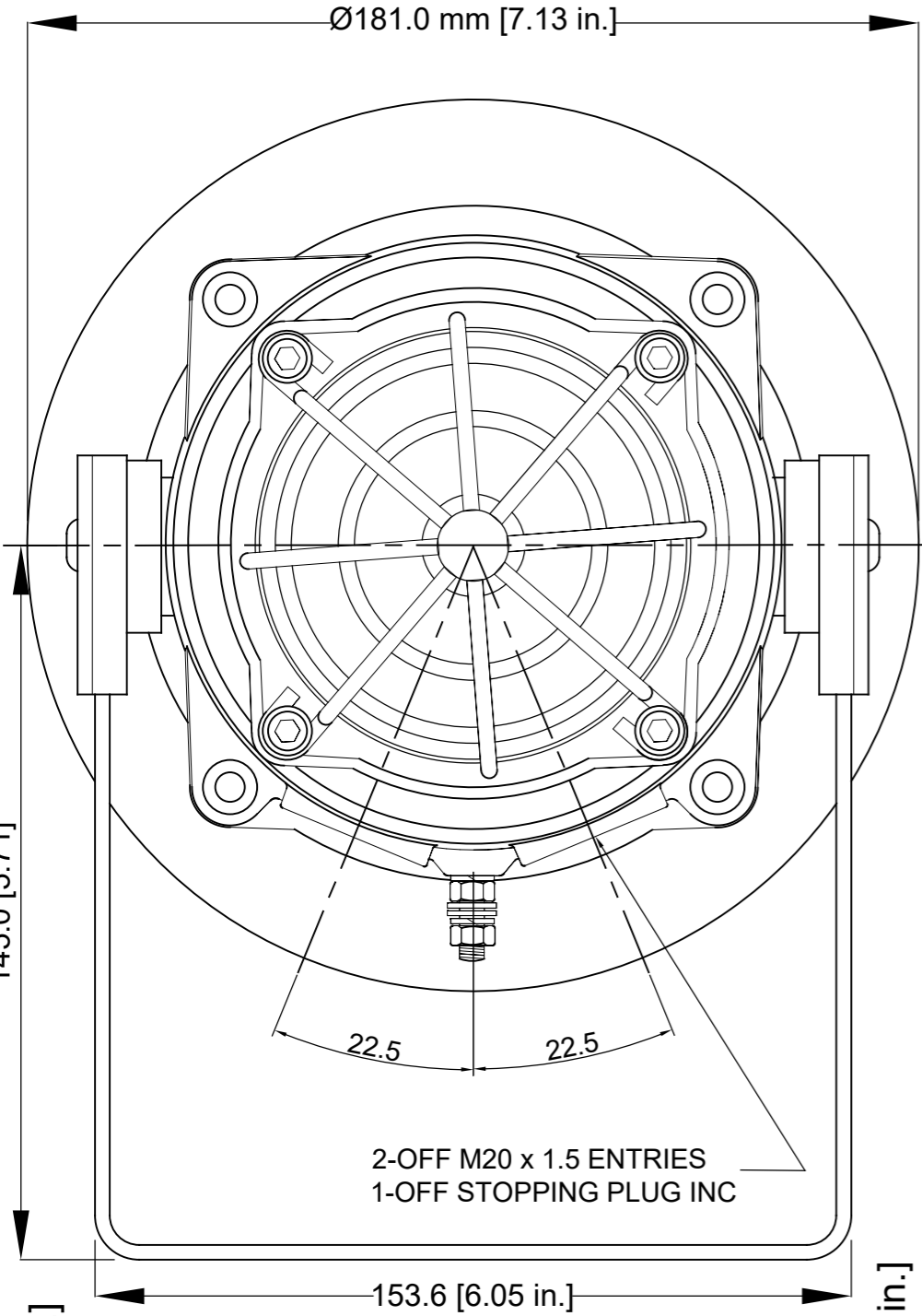


ISSUE	MOD No.	INITIAL/DATE
1		TAKEN FROM SK0116 RSR 06-09-2022
2		OPTIONAL TAG REMOVED LABEL NOTES ADDED MM 31-07-2023



3 x Ø7mm [0.28 in.] dia.
Mounting Holes

E2S PART NO.	DESCRIPTION	DATA REFERENCE
BExCS110-05D-P...	BExCS110-05 COMBINATION HORN & STROBE	1.23.010
BExCS110-L2D-P...	BExCS110-L2 COMBINATION HORN & LED	1.23.031
BExCTS110-05D-P...	BExCTS110-L1 COMBINATION HORN & STROBE	1.23.011

NOTE:
FOR OPTIONAL DUTY LABEL SEE DRAWING D254-00-001
FOR OPTIONAL TAG PLATE SEE DRAWING D254-00-101

DRAWING TO BS8888:2000 GEOMETRIC TOLERANCES TO ISO1101:1983 LINEAR DIMENSIONAL TOLS ANGULAR DIMENSIONAL TOLS	
DRAWN R.RAIT	DATE 06-09-2022
CHECKED B.ISARD	DATE 06-09-2022
APPROVED R.POTTS	DATE 06-09-2022
STANDARDS	

SURFACE FINISH	WEIGHT (Kg)
MATERIAL	
ALTERNATIVE MATERIAL	

THIS DRAWING AND ANY INFORMATION OR DESCRIPTIVE MATTER THEREIN IS COMMUNICATED IN CONFIDENCE AND IS THE COPYRIGHT PROPERTY OF EUROPEAN SAFETY SYSTEMS LTD. NEITHER THE WHOLE OR ANY EXTRACT MAY BE DISCLOSED, LOANED, COPIED OR USED FOR MANUFACTURING OR TENDERING PURPOSES WITHOUT THEIR WRITTEN CONSENT.

© EUROPEAN SAFETY SYSTEMS LTD.
AS PER LATEST DATE OF ISSUE SHOWN ABOVE



ALL DIMENSIONS IN MM IF IN DOUBT, ASK - DO NOT SCALE		A2	
TITLE BExC Ex d RANGE - COMBINED UNIT OUTLINE			
SCALE NTS	SHEET 1 OF 1	DRAWING NUMBER D210-05-601	