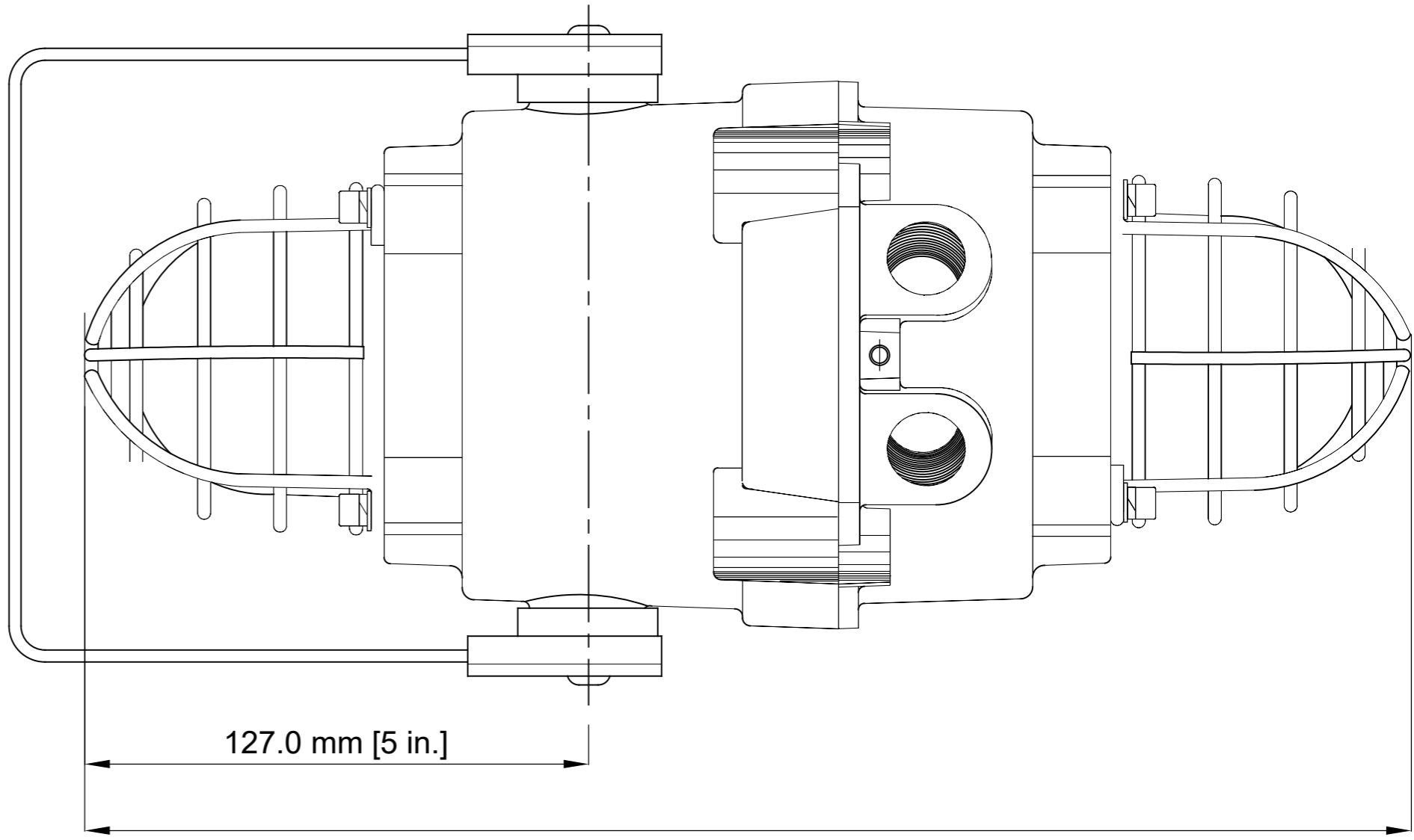
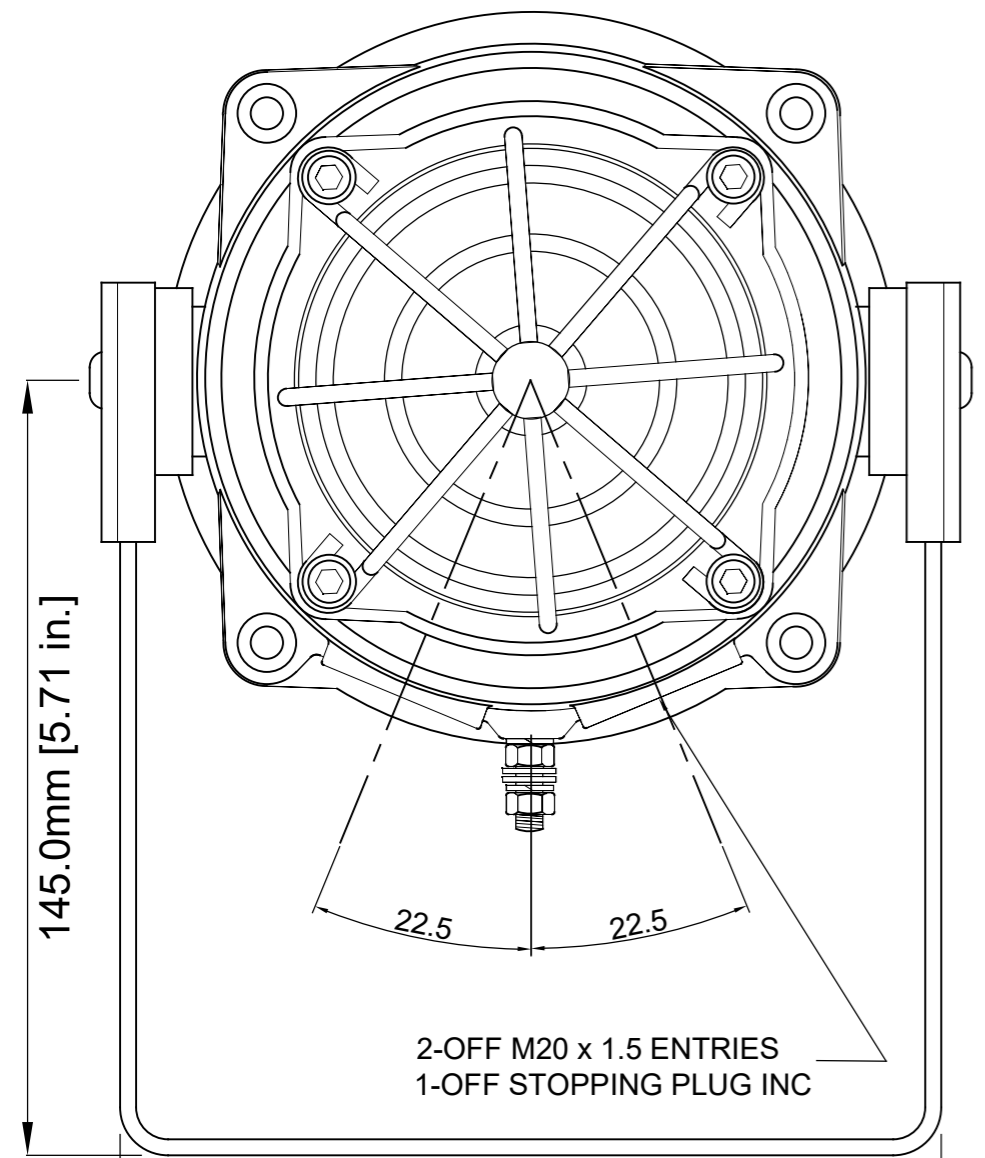
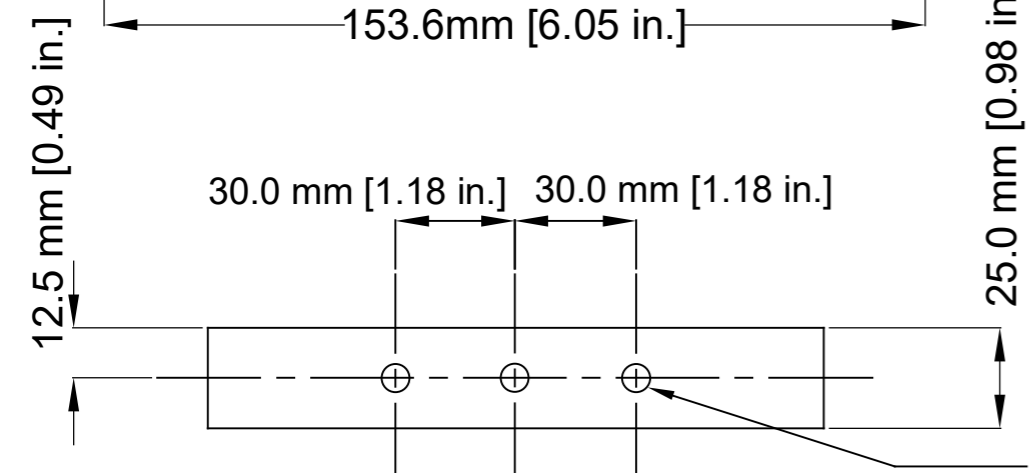


| ISSUE | MOD No. | INITIAL/DATE                        |
|-------|---------|-------------------------------------|
| 1     |         | TAKEN FROM SK0117<br>RSR 06-09-2022 |
| 2     |         | LABEL NOTES ADDED<br>MM 31-07-2023  |



332.0 mm [13.07 in.]

2-OFF M20 x 1.5 ENTRIES  
1-OFF STOPPING PLUG INC



3 x Ø7mm [0.28 in.] dia.  
Mounting Holes

SCRAP VIEW IN DIRECTION 'A'

| E2S PART NO.      | DESCRIPTION                         | DATA REFERENCE |
|-------------------|-------------------------------------|----------------|
| BExCBG05-05D-P... | BExCBG05-05 DUAL XENON BEACON       | 1.21.140       |
| BExCBGL2-05D-P... | BExCBGL2-05 DUAL LED / XENON BEACON | 1.21.141       |
| BExCBGL2-L2D-P... | BExCBGL2-L2 DUAL LED BEACON         | 1.21.142       |

NOTE:  
FOR OPTIONAL DUTY LABEL SEE DRAWING D254-00-001  
FOR OPTIONAL TAG PLATE SEE DRAWING D254-00-101

|   |                     |                    |                      |             |   |  |  |        |
|---|---------------------|--------------------|----------------------|-------------|---|--|--|--------|
| DRAWING TO BS8888:2000<br>GEOMETRIC TOLERANCES TO ISO1101:1983<br>LINEAR DIMENSIONAL TOLS<br>ANGULAR DIMENSIONAL TOLS | DRAWN<br>R.RAIT     | DATE<br>06-09-2022 | SURFACE FINISH       | WEIGHT (Kg) | THIS DRAWING AND ANY INFORMATION OR DESCRIPTIVE MATTER THEREIN IS COMMUNICATED IN CONFIDENCE AND IS THE COPYRIGHT PROPERTY OF EUROPEAN SAFETY SYSTEMS LTD. NEITHER THE WHOLE OR ANY EXTRACT MAY BE DISCLOSED, LOANED, COPIED OR USED FOR MANUFACTURING OR TENDERING PURPOSES WITHOUT THEIR WRITTEN CONSENT. | <br>warning signals<br>EUROPEAN SAFETY SYSTEMS LTD<br>IMPRESS HOUSE<br>MANSELL ROAD<br>ACTON<br>LONDON W3 7QH<br>WWW.E2S.COM | ALL DIMENSIONS IN MM & [in.]<br>IF IN DOUBT, ASK -<br>DO NOT SCALE | <br>A2 |
|   | CHECKED<br>B.ISARD  | DATE<br>06-09-2022 | MATERIAL             |             |   |  | TITLE<br>BExCBG05D COMBINED OUTLINE                                |        |
|   | APPROVED<br>R.POTTS | DATE<br>06-09-2022 | ALTERNATIVE MATERIAL |             |   |  | SCALE<br>NTS   |        |