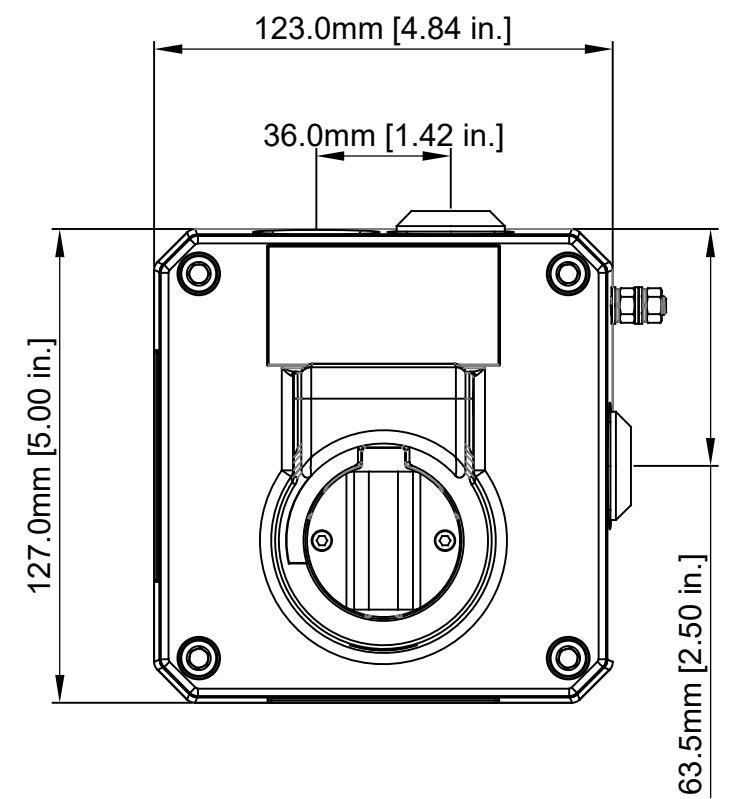
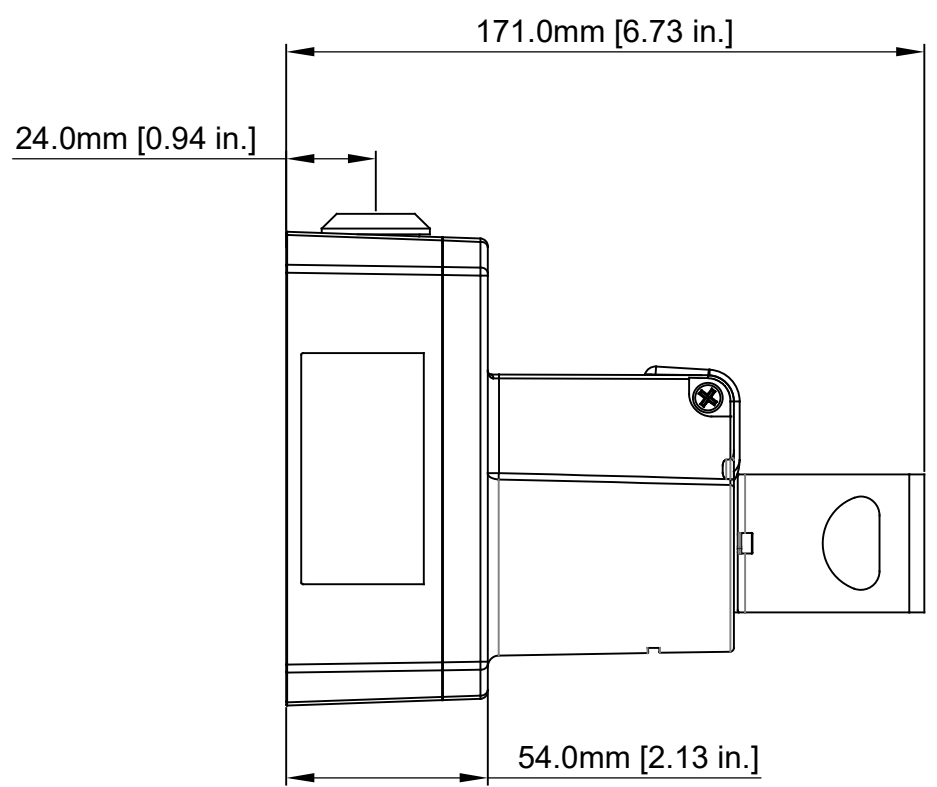
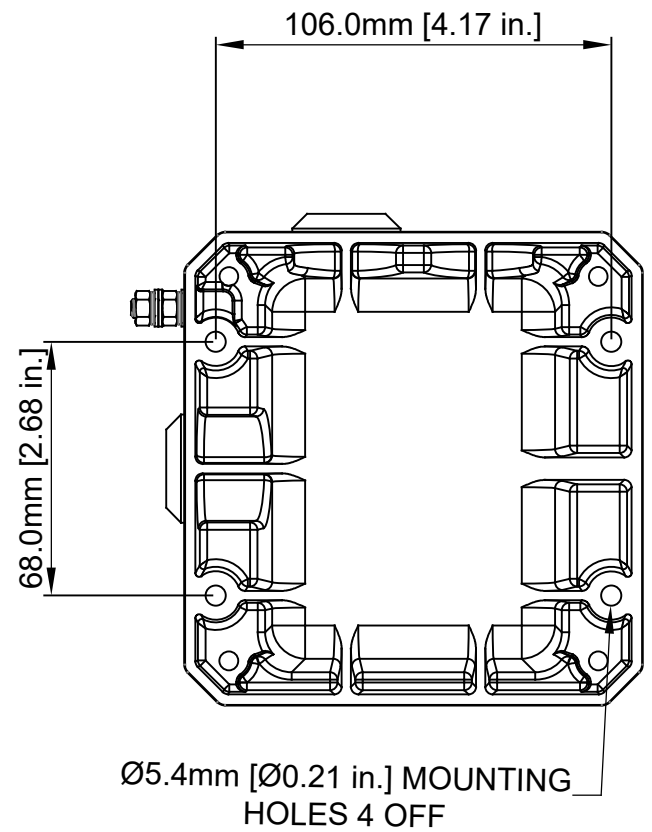
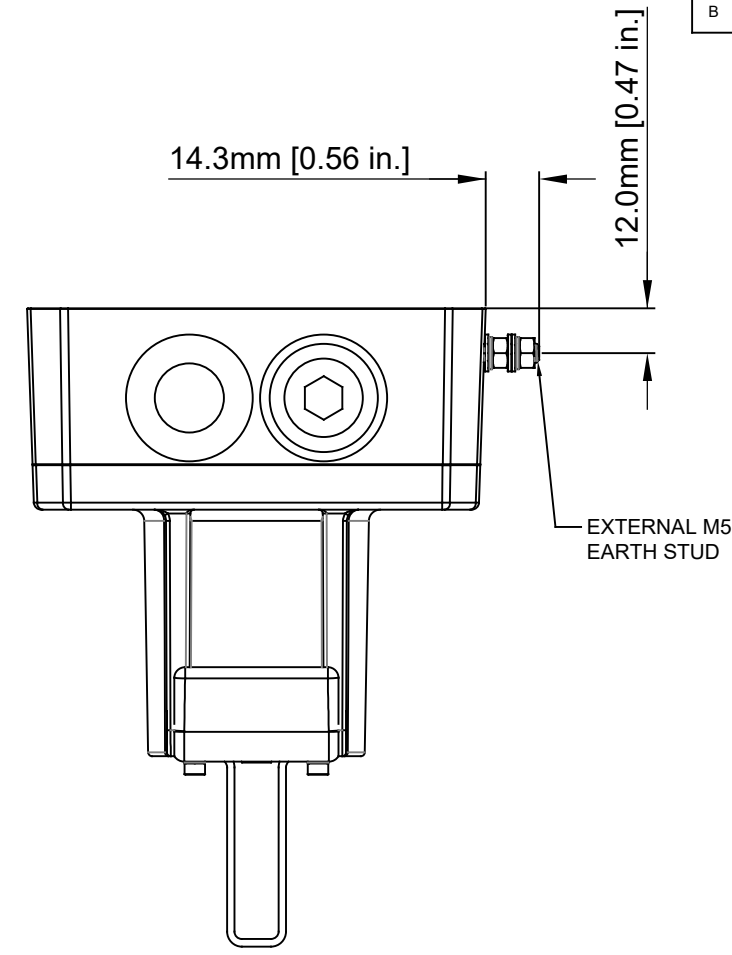
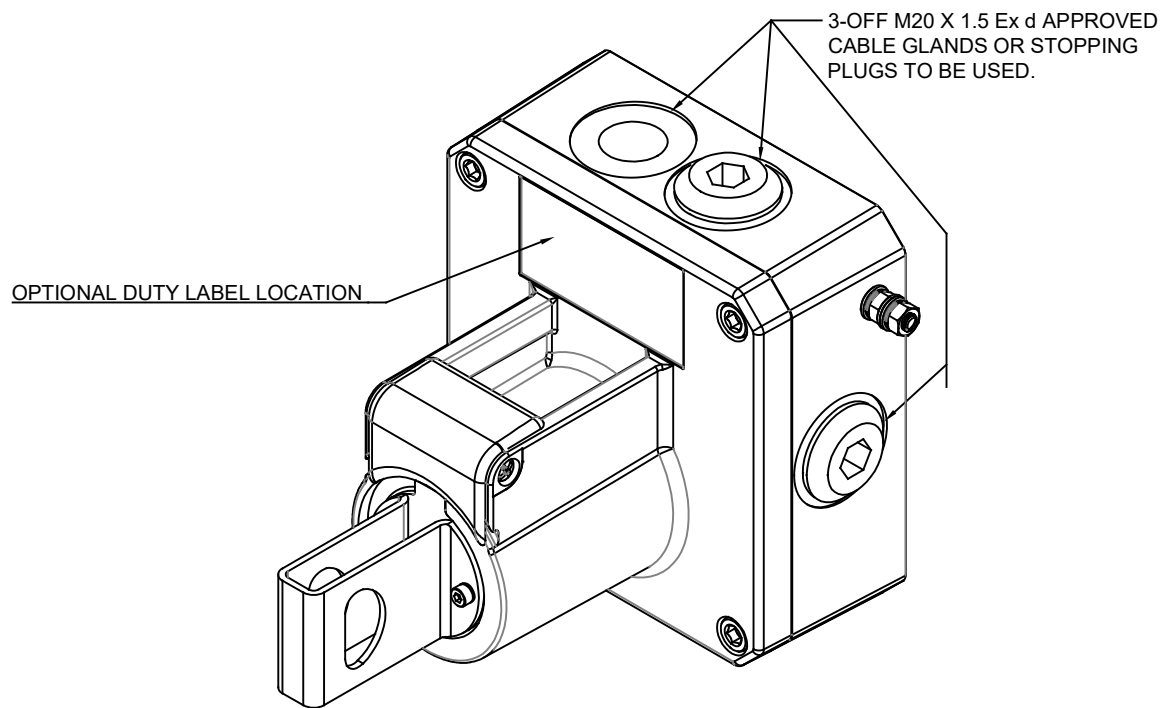


ISSUE	MOD No.	INITIAL/DATE
A		DRAWING CREATED FROM SK0449 RSR 03-02-2020
B		OPTIONAL TAG REMOVED LABEL NOTES ADDED MM 31-07-2023



E2S PART NO.	DESCRIPTION	DATA REFERENCE
STExCP8-PB...	STAINLESS STEEL CP8 PUSH BUTTON CALL POINT	1.24.140

NOTE:
 FOR OPTIONAL DUTY LABEL SEE DRAWING D254-00-011
 FOR OPTIONAL TAG PLATE SEE DRAWING D254-00-111

DRAWING TO BS 8888:2000 GEOMETRIC TOLERANCES TO ISO1101:1983 LINEAR DIMENSION TOLS ANGULAR DIMENSION TOLS	DRAWN	R.S. RAIT	DATE	24-10-16	SURFACE FINISH	WEIGHT (Kg)	MATERIAL	THIS DRAWING AND ANY INFORMATION OR DESCRIPTIVE MATTER THEREIN IS COMMUNICATED IN CONFIDENCE AND IS THE COPYRIGHT PROPERTY OF EUROPEAN SAFETY SYSTEMS LTD. NEITHER THE WHOLE OR ANY EXTRACT MAY BE REPRODUCED, COPIED OR USED FOR MANUFACTURING OR TENDERING PURPOSES WITHOUT THEIR WRITTEN CONSENT.	 EUROPEAN SAFETY SYSTEMS LTD WINGELL ROAD ACTON LONDON W3 7QH WWW.E2S.COM	ALL DIMENSIONS IN MM IF IN DOUBT, ASK - DO NOT SCALE	 A1
	CHECKED	B. ISARD	DATE	24-10-16							
STANDARDS	APPROVED	R.N. POTTS	DATE	24-10-16	SCALE	1:1	SHEET	1 OF 1	DRAWING NUMBER	D204-05-201	