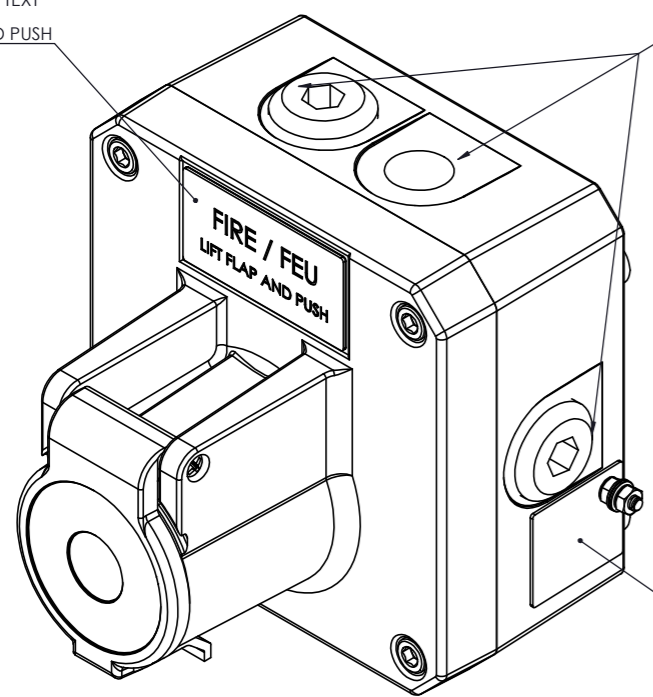


ISSUE	MOD No.	REASON-INITIAL-DATE
C		OPTIONAL EQUIPMENT TAG SHOWN RSR 11-02-2020
D		General Signaling and Fire products better defined. RNP 10-11-2022
E		LED Option added -L and -C Optional Duty Label and Tag Plate added. RNP 28-08-2023

DUTY LABEL ON FIRE PRODUCT GNExCP7PT [v] = F SHOWN WITH TEXT FIRE/FEU LIFT FLAP AND PUSH



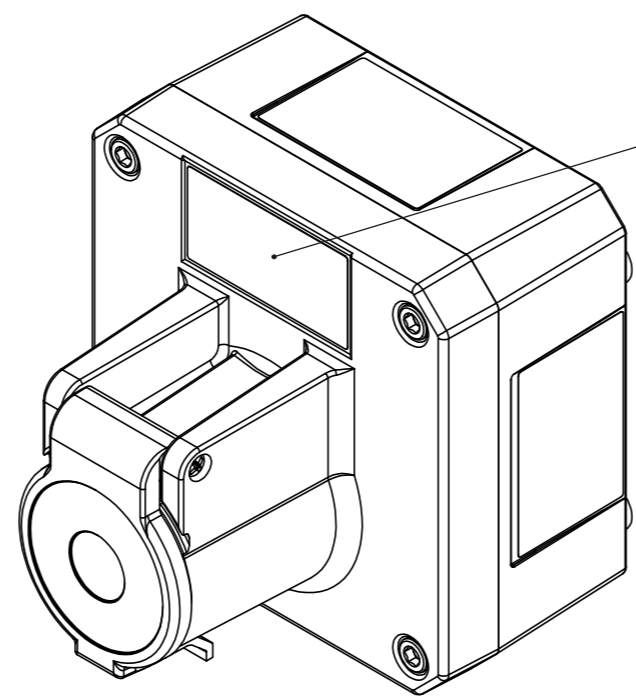
3 OFF M20x1.5mm Ex d APPROVED CABLE GLAND OR STOPPING PLUGS TO BE USED IN EACH ENTRY

NOTE : BACK BOX CAN BE ORIENTATED WITH DUAL CABLE ENTRIES FACING UP OR DOWN

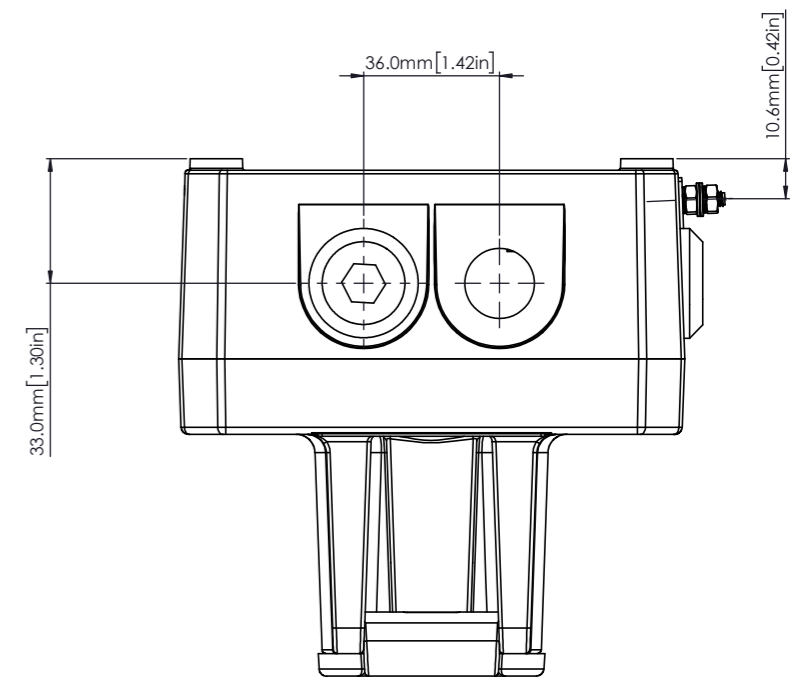
OPTIONAL EQUIPMENT TAG LOCATION SEE NOTES

UNIT SHOWN AS GNExCP7-PT
PRODUCT VERSION [v] = F (FIRE PRODUCT UL38)
WITH FIRE DUTY LABEL
BACK BOX WITH CABLE ENTRIES FACING UP

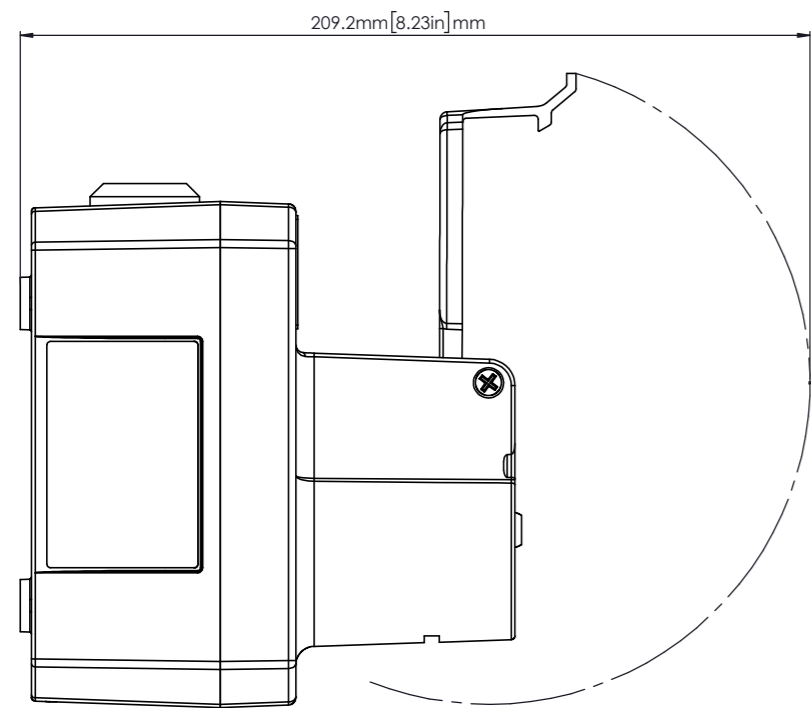
OPTIONAL DUTY LABEL ON FIRE PRODUCT [v] = A SHOWN BLANK CUSTOMER TO SPECIFY TEXT AS REQUIRED SEE NOTES



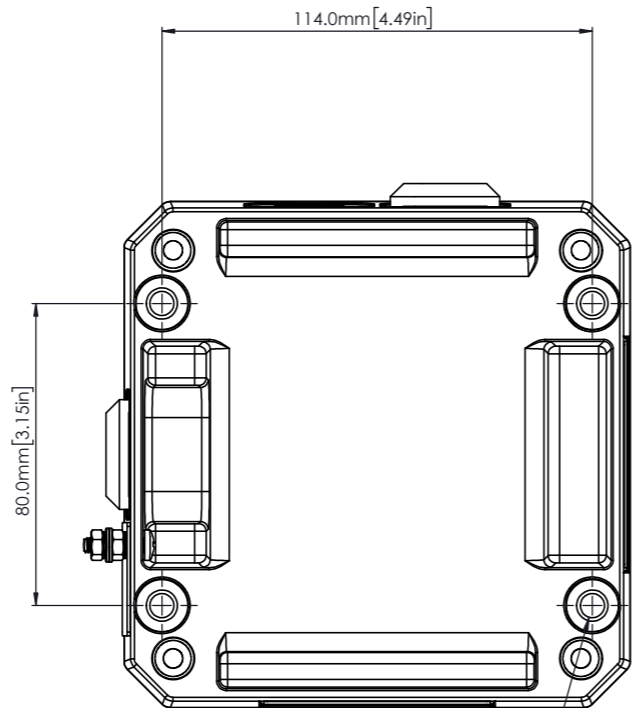
UNIT SHOWN AS GNExCP7-PM OR GNExCP7-PT
PRODUCT VERSION [v] = A
WITH STANDARD DUTY LABEL
BACK BOX WITH CABLE ENTRIES FACING DOWN



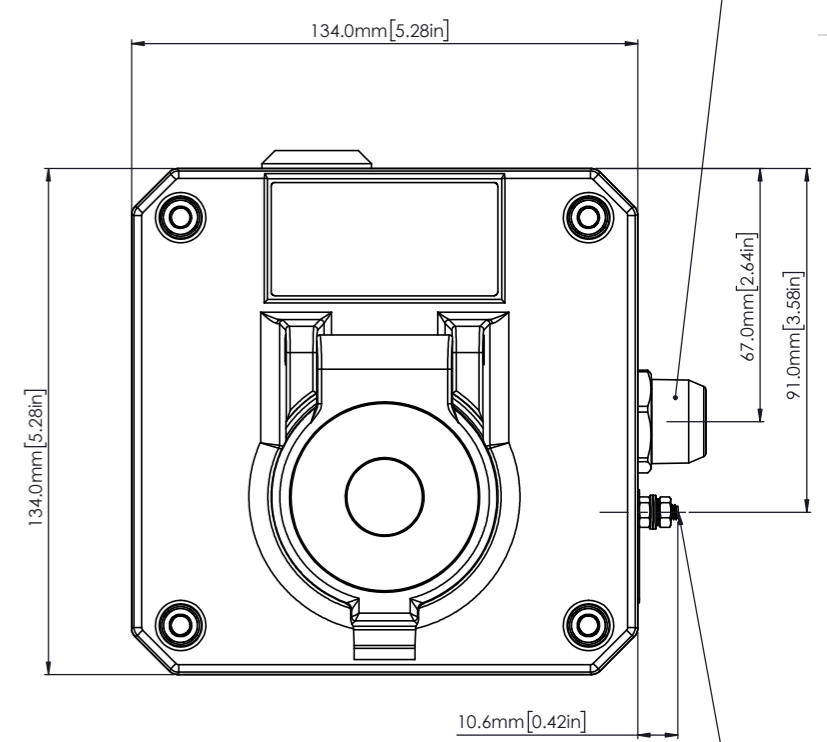
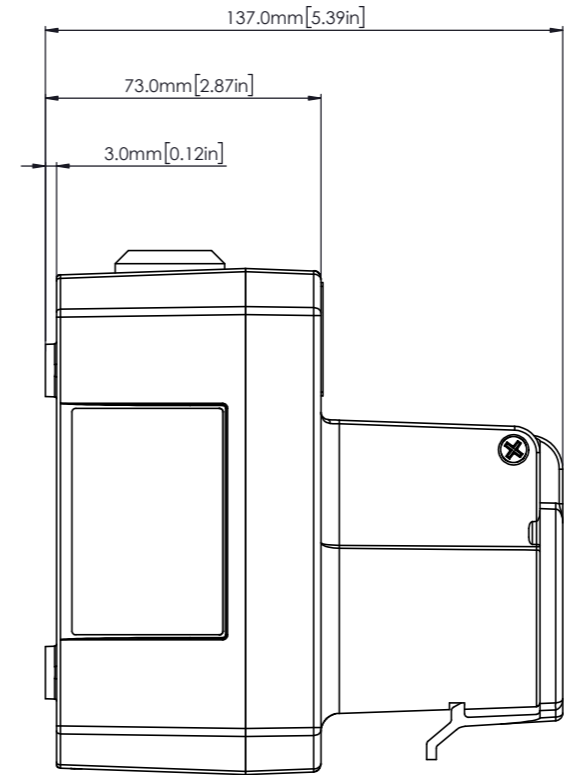
FOR OPTIONAL LED USE LED INDICATOR [uj] = L or C SHOWN POPULATED IN SIDE ENTRY WHEN NO LED IS REQUIRED USE LED INDICATOR [uj] = X



SIDE VIEW SHOWN WITH FLIP LID OPEN



Ø 6.4mm [0.25in]
MOUNTING HOLES 4 OFF



EXTERNAL M4 EARTH STUD

E2S PART No.	DESCRIPTION	DATA REFERENCE
GNExCP7-PT	GRP PUSH BUTTON (TOOL RESET) CALL POINT GENERAL SIGNALING & UL 38 VERSIONS	1-24-160
GNExCP7-PM	GRP PUSH BUTTON (MOMENTARY) CALL POINT GENERAL SIGNALING	1-24-170

NOTES :-
FOR OPTIONAL DUTY LABEL SEE DRAWING D254-00-011
FOR OPTIONAL TAG PLATE SEE DRAWING D254-00-111

DRAWING TO BS8888:2000 GEOMETRIC TOLERANCES TO ISO1101:1983 LINEAR DIMENSIONAL TOOLS ANGULAR DIMENSIONAL TOOLS	DRAWN R.N.POTTS	DATE 29-03-2019	SURFACE FINISH	WEIGHT (kg)	THIS DRAWING AND ANY INFORMATION OR DESCRIPTIVE MATTER THEREIN IS COMMUNICATED IN CONFIDENCE AND IS THE COPYRIGHT PROPERTY OF EUROPEAN SAFETY SYSTEMS LTD. NEITHER THE WHOLE OR ANY EXTRACT MAY BE DISCLOSED, LOANED, COPIED OR USED FOR MANUFACTURING OR TENDERING PURPOSES WITHOUT THEIR WRITTEN CONSENT. EUROPEAN SAFETY SYSTEMS LTD. AS PER LATEST DATE OF ISSUE SHOWN ABOVE	 EUROPEAN SAFETY SYSTEMS LTD IMPRESS HOUSE MANSELL ROAD ACTON LONDON W3 7QH WWW.E2S.COM	ALL DIMENSIONS IN MM IF IN DOUBT, ASK - DO NOT SCALE	 A1
	CHECKED B.ISARD	DATE 29-03-2019	MATERIAL	ALTERNATIVE MATERIAL				
STANDARDS PRODUCT REF	APPROVED R.N.POTTS	DATE 29-03-2019			TITLE GNExCP7-PT & -PM PUSH BUTTON - TOOL RESET & MOMENTARY CALL POINT OUTLINE DRAWING	SCALE 1:1	SHEET 1 OF 1	DRAWING NUMBER D202-05-201