

SINGLE MICROSWITCH DEVICES

SHEET 1

ISSUE	MOD No.	REASON - INITIAL - DATE
1		Introduction RNP 02-02-2024

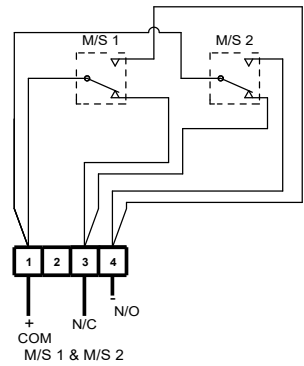
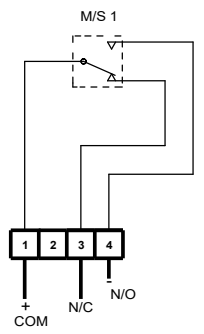
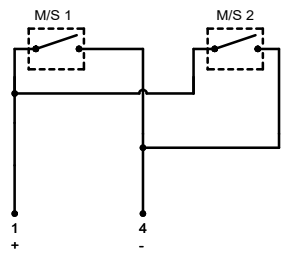
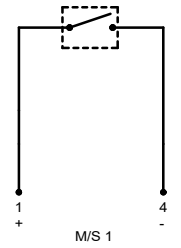
PRODUCTS:
GNExCP7, STExCP8

GNEXCP7-BG[s][t][l][e][m][d][v][o][x][u][v][e][s] Series
 Switch Type [s] Terminals [t] Product Version [v] Product Option [o] EOL Module [e] LED Indicator [u]

SINGLE SWITCH	CONFIG. D1-1	DUAL SWITCH WITH EOL DEVICE	CONFIG. D1-2
----------------------	---------------------	------------------------------------	---------------------

SWITCH TYPE [s] [S]
 TERMINALS [t] [D]
 PRODUCT OPTION [o] [1]
 LED INDICATOR [u] [N]
 Single
 DIN Rail
 Default
 NO LED

SWITCH TYPE [s] [D]
 TERMINALS [t] [D]
 PRODUCT OPTION [o] [1]
 LED INDICATOR [u] [N]
 Dual
 DIN Rail
 Parallel Wiring
 No LED



Circuit shown in Unoperated condition

**Unoperated condition
 (Glass Intact / Standby Condition)**
 Terminals +(1) & -(4) open
 Terminals +(2) & (3) closed

**Operated condition
 (Glass Broken / Button pushed in)**
 Terminals +(1) & -(4) closed
 Terminals +(1) & (3) open

Circuit shown in Unoperated condition

**Unoperated condition
 (Glass Intact / Standby Condition)**
 Terminals +(1) & -(4) open
 Terminals +(2) & (3) closed

**Operated condition
 (Glass Broken / Button pushed in)**
 Terminals +(1) & -(4) closed
 Terminals +(1) & (3) open

DRAWING TO BS8888:2000
 GEOMETRIC TOLERANCES TO ISO1101:1983
 LINEAR DIMENSIONAL TOLS
 ANGULAR DIMENSIONAL TOLS

STANDARDS
 GNExCP7-I and STExCP8-I units
 with DIN Rail

DRAWN DATE
 R.S.RAIT 02-02-2024

CHECKED DATE
 B.ISARD 02-02-2024

APPROVED DATE
 R.N.POTTS 02-02-2024

SURFACE FINISH WEIGHT (Kg)

MATERIAL

ALTERNATIVE MATERIAL

THIS DRAWING AND ANY INFORMATION OR DESCRIPTIVE MATTER THEREIN IS COMMUNICATED IN CONFIDENCE AND IS THE COPYRIGHT PROPERTY OF EUROPEAN SAFETY SYSTEMS LTD. NEITHER THE WHOLE OR ANY EXTRACT MAY BE DISCLOSED, LOANED, COPIED OR USED FOR MANUFACTURING OR TENDERING PURPOSES WITHOUT THEIR WRITTEN CONSENT.

EUROPEAN SAFETY SYSTEMS LTD.
 AS PER LATEST DATE OF ISSUE SHOWN ABOVE



ALL DIMENSIONS IN MM
 IF IN DOUBT, ASK - DO NOT SCALE

A3

TITLE **GNExCP7-I & STExCP8-I IS CALL POINT WIRING / CIRCUIT OPERATION DIAGRAM**

SCALE SHEET DRAWING NUMBER
 NTS 1 OF 1 **D202-06-501**