

**E2S PART NO.**  
**D1xC4[J1][XX][XXX]**

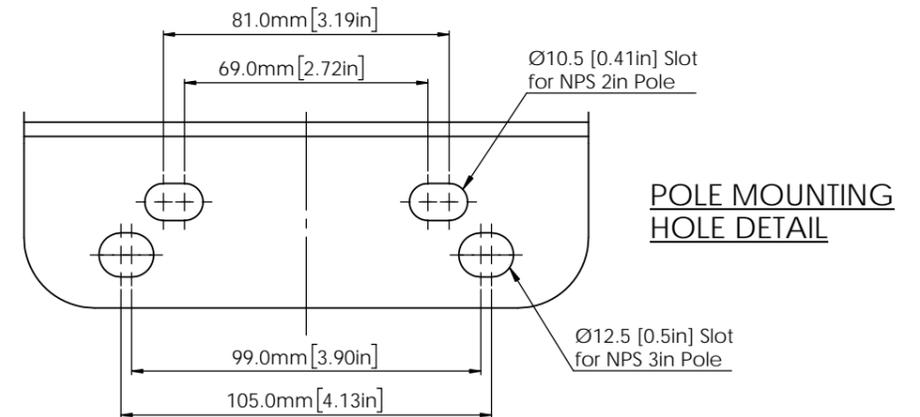
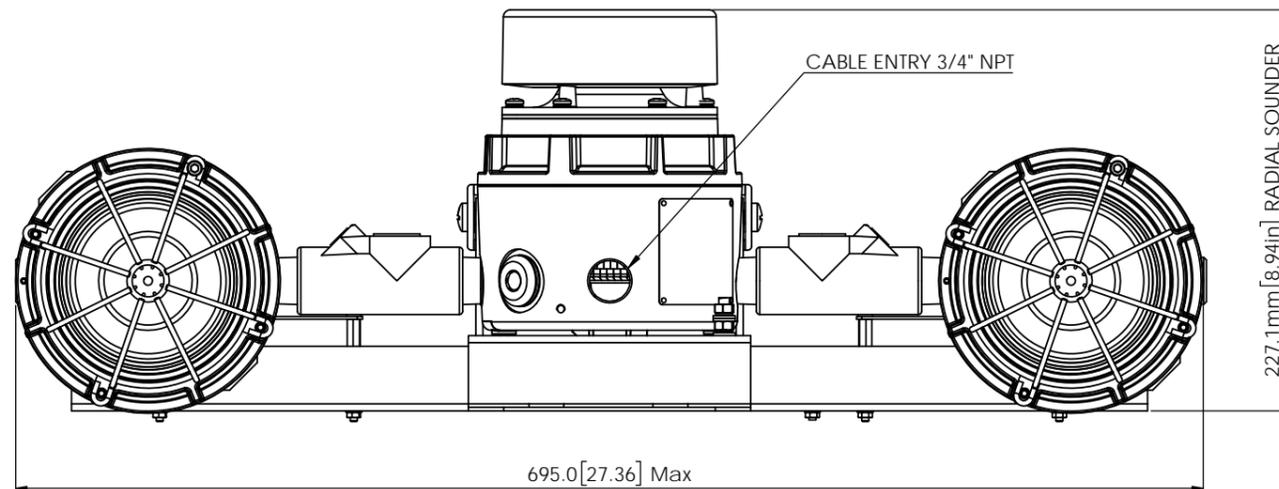
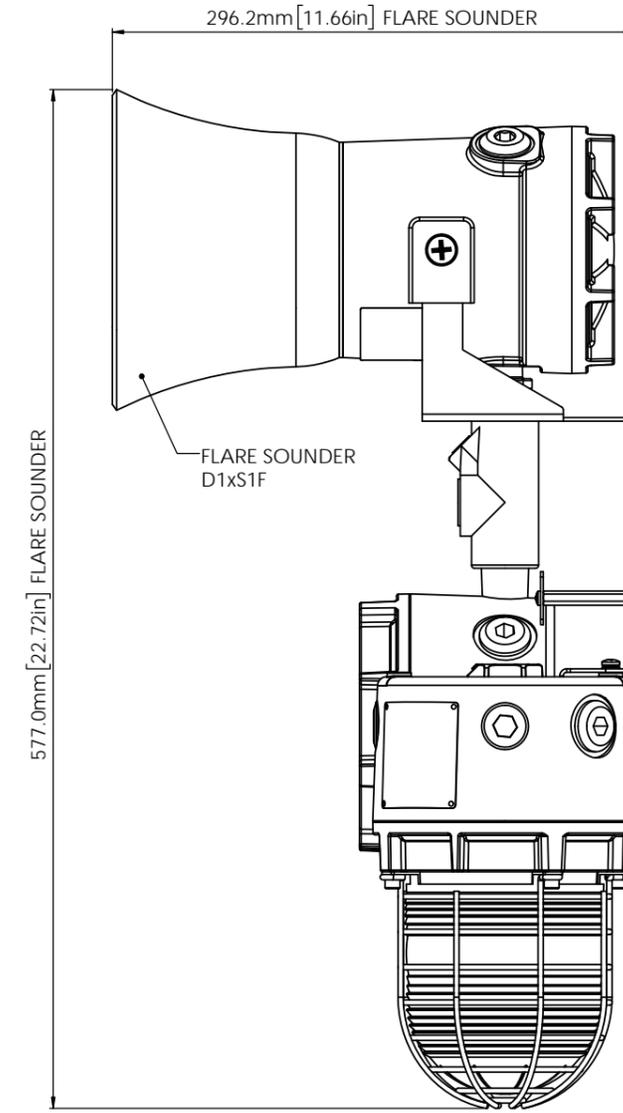
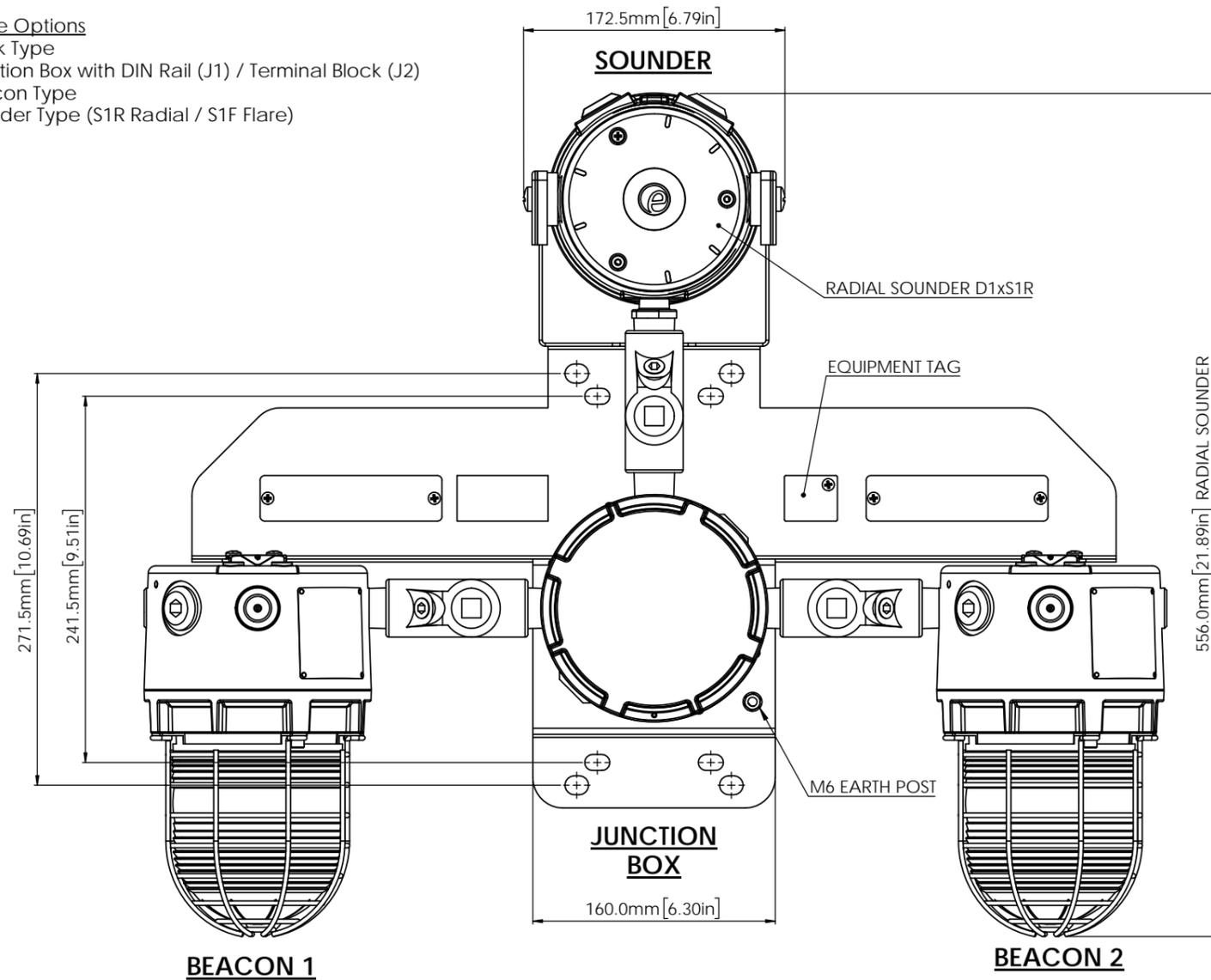
**DESCRIPTION**  
**D1xC4 ALARM BAR**

**DATA REFERENCE**  
**1-26-090**

ISSUE	MOD No.	REASON - INITIAL - DATE
1		INTRODUCTION DAH - 19/09/2019
2		LABEL NOTES ADDED MM 31-07-2023

BEACON 1  
 BEACON 2

- Code Options
- D1xC4 Stack Type
  - [J1] Junction Box with DIN Rail (J1) / Terminal Block (J2)
  - [XX] Beacon Type
  - [XXX] Sounder Type (S1R Radial / S1F Flare)



NOTE:  
 FOR TAG PLATE SEE DRAWING D254-00-111  
 FOR OPTIONAL DUTY LABEL, GUARD MATERIAL OPTION [3] SEE DRAWING D254-00-041

DRAWING TO BS888:2000 GEOMETRIC TOLERANCES TO ISO1101:1983 LINEAR DIMENSIONAL TOLS ANGULAR DIMENSIONAL TOLS	DRAWN	DATE	SURFACE FINISH	WEIGHT (kg)	THIS DRAWING AND ANY INFORMATION OR DESCRIPTIVE MATTER THEREIN IS COMMUNICATED IN CONFIDENCE AND IS THE COPYRIGHT PROPERTY OF EUROPEAN SAFETY SYSTEMS LTD. NEITHER THE WHOLE OR ANY EXTRACT MAY BE DISCLOSED, LOANED, COPIED OR USED FOR MANUFACTURING OR TENDERING PURPOSES WITHOUT THEIR WRITTEN CONSENT.	 EUROPEAN SAFETY SYSTEMS LTD IMPRESS HOUSE MANSELL ROAD ACTON LONDON W3 7QH WWW.E2S.COM	ALL DIMENSIONS IN MM IF IN DOUBT, ASK - DO NOT SCALE	 A1
	CHECKED	DATE	FINISH					
STANDARDS PRODUCT REF	R.N.POTTS	19/09/19	ALTERNATIVE MATERIAL		EUROPEAN SAFETY SYSTEMS LTD. AS PER LATEST DATE OF ISSUE SHOWN ABOVE	 EUROPEAN SAFETY SYSTEMS LTD IMPRESS HOUSE MANSELL ROAD ACTON LONDON W3 7QH WWW.E2S.COM	TITLE D1xC4 ALARM BAR OUTLINE DRAWING	SCALE 1:2
	APPROVED	DATE						