

DUTY LABEL DIMENSIONS



1 LINE WITH 15mm TEXT



1 LINE WITH 10mm TEXT



2 LINES WITH 8mm TEXT

DUTY LABEL SPECIFICATIONS

ISSUE	MOD No.	INITIAL/DATE
1		INTRODUCTION DH 22-03-23

LINES	TEXT HEIGHT	TOTAL NO. OF CHARACTERS
ONE LINE	15	7
	12	10
	10	14
TWO LINES	8	UP TO 32

FONT: ARIAL
 METHOD OF MARKING: LASER ETCHED WITH BLACK TEXT
 PLATE MATERIAL: GRADE 316 STAINLESS STEEL
 ATTACHMENT: M3 SCREW
 POSITION: SEE DIAGRAMS BELOW

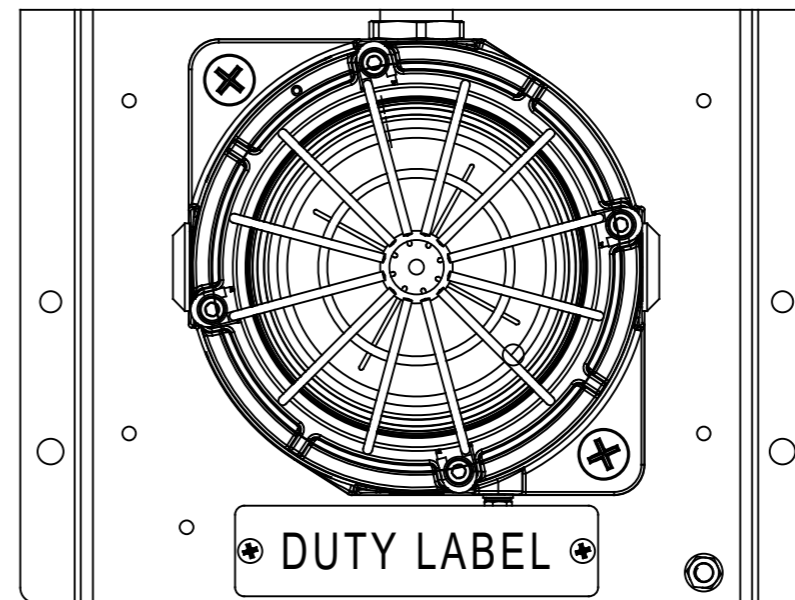
NOTE 1: CHARACTER LIMIT INCLUDES SPACES
 NOTE 2: TEXT HEIGHT WILL BE PRIORITISED FOR LABEL CONTENTS WHERE POSSIBLE

DISCLAIMER: UNLESS OTHERWISE SPECIFIED, LABEL CONTENTS WILL BE SIZED FOR BEST FIT AS DEEMED APPROPRIATE BY E2S

DUTY LABEL POSITION

STATUS LIGHT / ALARM BAR

ATTACHED TO PLATE DIRECTLY
 OR USING STAND-OFFS



DRAWING TO BS8888:2000
 GEOMETRIC TOLERANCES TO ISO1101:1983
 LINEAR DIMENSIONAL TOLS +/-0.35mm
 ANGULAR DIMENSIONAL TOLS +/-2 deg

DRAWN DATE 22-03-23
D.HOWGILL
 CHECKED DATE 22-03-23
R.N.POTTS
 APPROVED DATE 22-03-23
R.N.POTTS

SURFACE FINISH WEIGHT (Kg)
 MATERIAL
SEE NOTE
 ALTERNATIVE MATERIAL

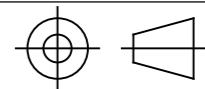
THIS DRAWING AND ANY INFORMATION OR DESCRIPTIVE MATTER THEREIN IS COMMUNICATED IN CONFIDENCE AND IS THE COPYRIGHT PROPERTY OF EUROPEAN SAFETY SYSTEMS LTD. NEITHER THE WHOLE OR ANY EXTRACT MAY BE DISCLOSED, LOANED, COPIED OR USED FOR MANUFACTURING OR TENDERING PURPOSES WITHOUT THEIR WRITTEN CONSENT.

© EUROPEAN SAFETY SYSTEMS LTD.
 AS PER LATEST DATE OF ISSUE SHOWN ABOVE



EUROPEAN SAFETY SYSTEMS LTD
 IMPRESS HOUSE
 MANSELL ROAD
 ACTON
 LONDON W3 7QH
 WWW.E2S.COM

ALL DIMENSIONS IN MM
 IF IN DOUBT, ASK -
 DO NOT SCALE



A3

TITLE **DUTY LABEL SPECIFICATION DRAWING
 PLATED STATUS LIGHT / ALARM BAR**

SCALE 1:1 SHEET 1 of 1 DRAWING NUMBER **D254-00-041**