

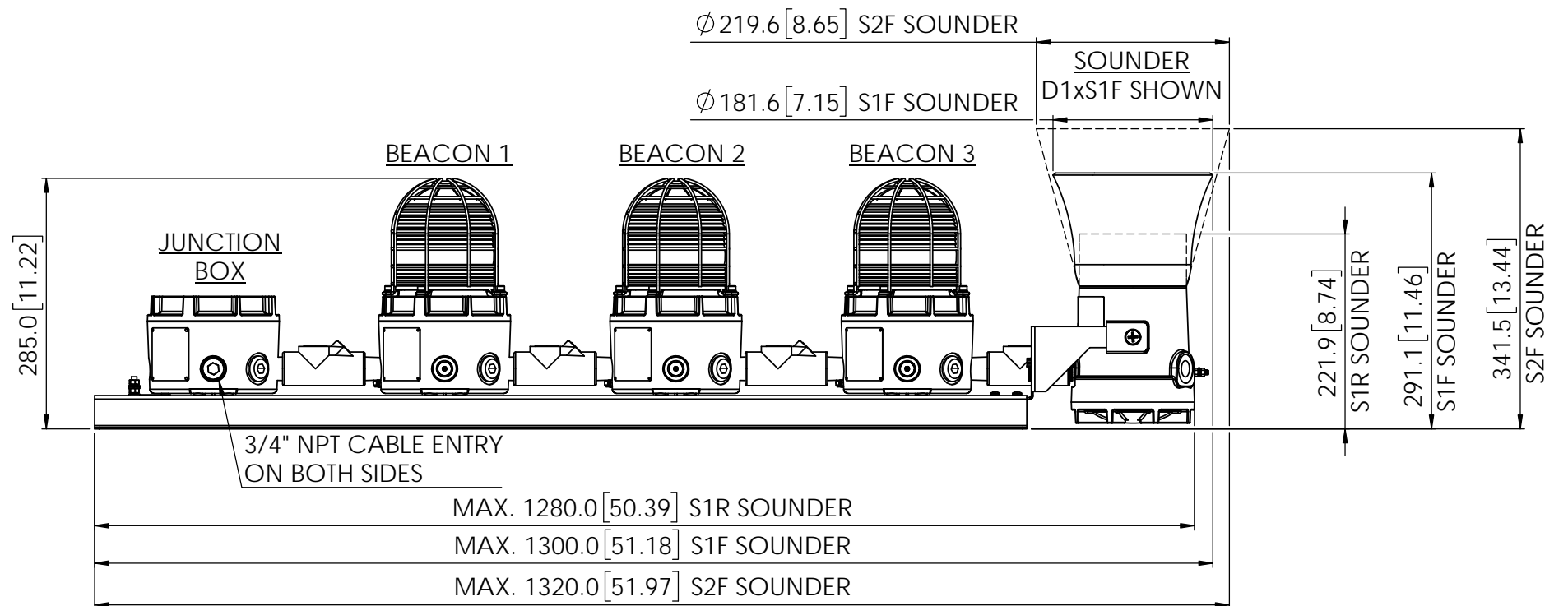
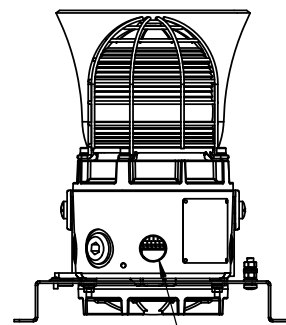
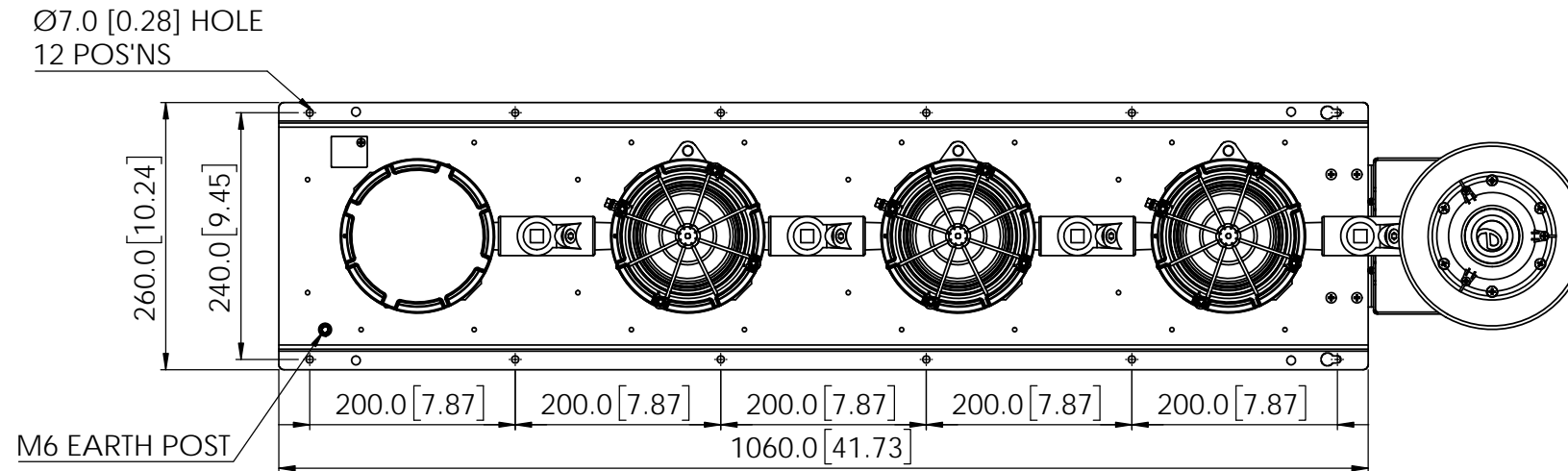
E2S PART NO
D1x[C3][J2][XX][XX][XX][XXX]
 BEACON 1
 BEACON 2
 BEACON 3

DESCRIPTION
D1x C3 STACK
3 BEACONS & ALARM HORN
WITH JUNCTION BOX

DATA REFERENCE
1-26-080

ISSUE	MOD No.	REASON - INITIAL - DATE
1		INTRODUCTION DAH - 09-08-19
2		LABEL NOTES ADDED MM 31-07-2023

Code Options
 D1xC3 Stack Type
 J2 With Junction Box (J2) / Without (N2)
 [XX] Beacon Type
 [XXX] Sounder Type (S1R / S1F / S2F)



NOTE:

FOR TAG PLATE SEE DRAWING D254-00-111
 FOR OPTIONAL DUTY LABEL, GUARD/TAG MATERIAL OPTION [3] SEE DRAWING D254-00-041
 FOR OPTIONAL DUTY LABEL, GUARD/TAG MATERIAL OPTION [4 or 5] SEE DRAWING D254-00-001

STANDARDS	DRAWN	DATE	SURFACE FINISH	WEIGHT (kg)	THIS DRAWING AND ANY INFORMATION OR DESCRIPTIVE MATTER THEREIN IS COMMUNICATED IN CONFIDENCE AND IS THE COPYRIGHT PROPERTY OF EUROPEAN SAFETY SYSTEMS LTD. NEITHER THE WHOLE OR ANY EXTRACT MAY BE DISCLOSED, LOANED, COPIED OR USED FOR MANUFACTURING OR TENDERING PURPOSES WITHOUT THEIR WRITTEN CONSENT. EUROPEAN SAFETY SYSTEMS LTD. AS PER LATEST DATE OF ISSUE SHOWN ABOVE	 EUROPEAN SAFETY SYSTEMS LTD IMPRESS HOUSE MANSELL ROAD ACTON LONDON W3 7QH WWW.E2S.COM	ALL DIMENSIONS IN MM IF IN DOUBT, ASK - DO NOT SCALE		 A2		
DRAWING TO BS8888:2000 GEOMETRIC TOLERANCES TO ISO1101:1983 LINEAR DIMENSIONAL TOLS ANGULAR DIMENSIONAL TOLS	D.HOWGILL	09-08-19	FINISH				TITLE D2x C3 STACK - 3 BEACONS & ALARM HORN WITH JUNCTION BOX OUTLINE DRAWING	SCALE		SHEET	DRAWING NUMBER
	R.N.POTTS	09-08-19									
	R.N.POTTS	09-08-19	MATERIAL								
			ALTERNATIVE MATERIAL								