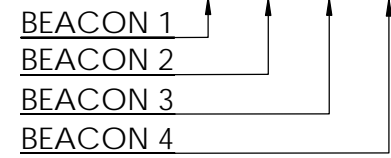


E2S PART NO
D1x[C3][J2][XX][XX][XX][XX][XXX]

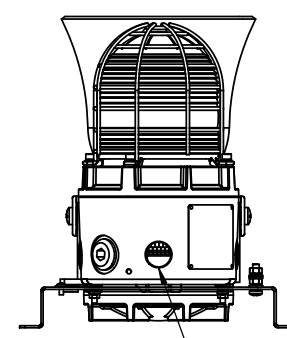
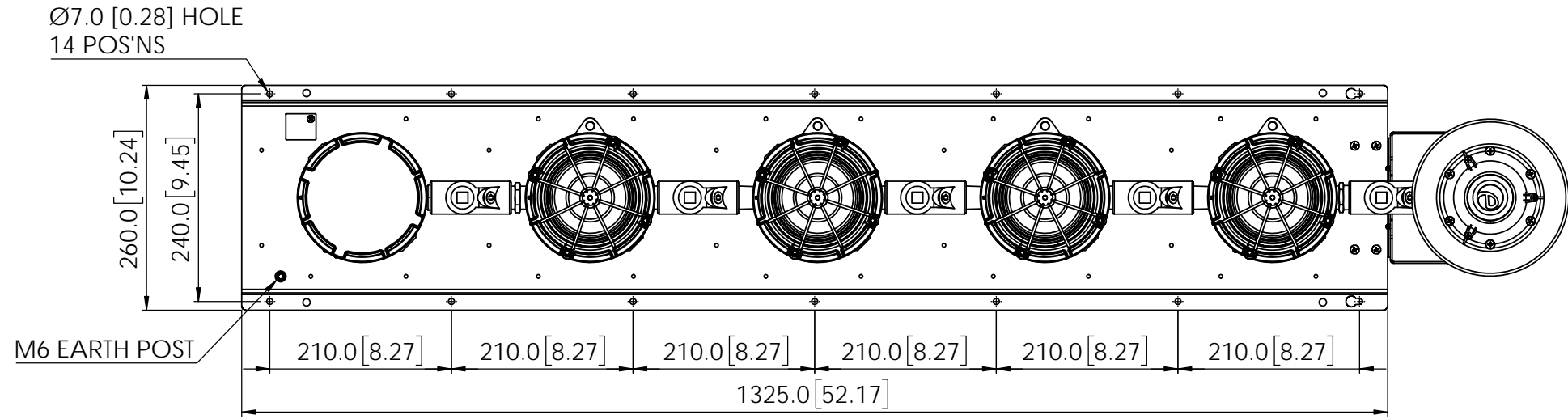
DESCRIPTION
D1x C3 STACK
4 BEACONS & ALARM HORN
WITH JUNCTION BOX

DATA REFERENCE
1-26-080

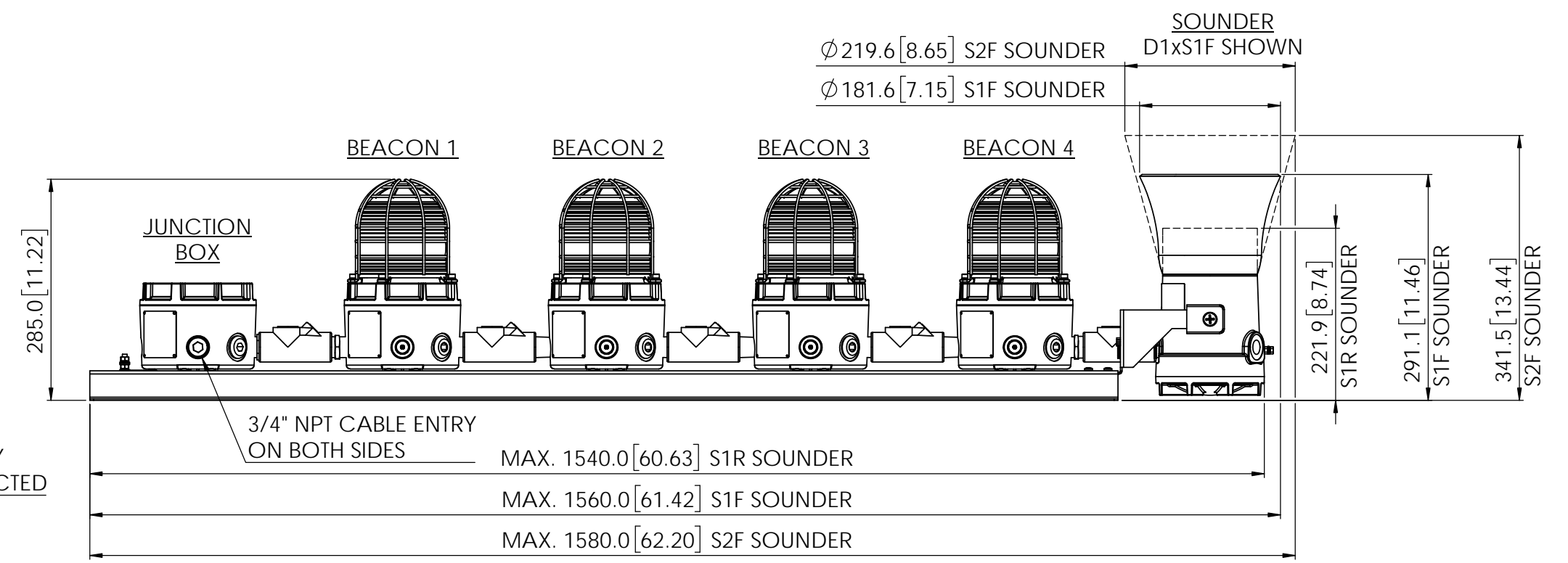
ISSUE	MOD No.	REASON - INITIAL - DATE
1		INTRODUCTION DAH - 09-08-19
2		LABEL NOTES ADDED MM 31-07-2023



Code Options
D1xC3 Stack Type
J2 With Junction Box (J2) / Without (N2)
[XX] Beacon Type
[XXX] Sounder Type (S1R / S1F / S2F)



3/4" NPT CABLE ENTRY
OR ADAPTERS IF SELECTED



NOTE:
FOR TAG PLATE SEE DRAWING D254-00-111
FOR OPTIONAL DUTY LABEL, GUARD/TAG MATERIAL OPTION [3] SEE DRAWING D254-00-041
FOR OPTIONAL DUTY LABEL, GUARD/TAG MATERIAL OPTION [4 or 5] SEE DRAWING D254-00-001

DRAWING TO BS8888:2000 GEOMETRIC TOLERANCES TO ISO1101:1983 LINEAR DIMENSIONAL TOLS ANGULAR DIMENSIONAL TOLS	DRAWN D.HOWGILL DATE 09-08-19	SURFACE FINISH FINISH MATERIAL ALTERNATIVE MATERIAL	WEIGHT (Kg)	THIS DRAWING AND ANY INFORMATION OR DESCRIPTIVE MATTER THEREIN IS COMMUNICATED IN CONFIDENCE AND IS THE COPYRIGHT PROPERTY OF EUROPEAN SAFETY SYSTEMS LTD. NEITHER THE WHOLE OR ANY EXTRACT MAY BE DISCLOSED, LOANED, COPIED OR USED FOR MANUFACTURING OR TENDERING PURPOSES WITHOUT THEIR WRITTEN CONSENT.	 EUROPEAN SAFETY SYSTEMS LTD IMPRESS HOUSE MANSELL ROAD ACTON LONDON W3 7QH WWW.E2S.COM	ALL DIMENSIONS IN MM IF IN DOUBT, ASK - DO NOT SCALE	 A2
	CHECKED R.N.POTTS DATE 09-08-19					TITLE D2xC3 STACK - 4 BEACONS & ALARM HORN WITH JUNCTION BOX OUTLINE DRAWING	
	APPROVED R.N.POTTS DATE 09-08-19					SCALE 1:5	