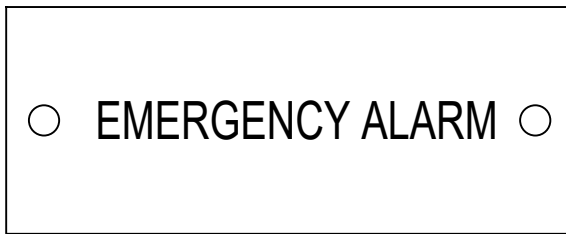


DUTY LABEL DIMENSIONS



1 LINE
WITH 14mm TEXT



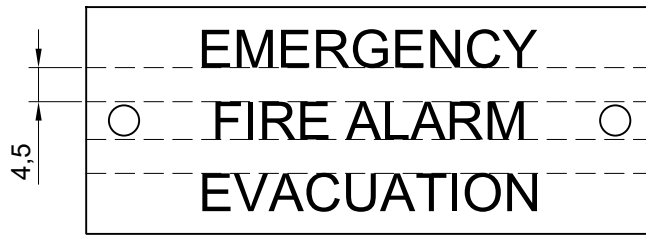
1 LINE
WITH 5mm TEXT



2 LINES
WITH 8mm TEXT



2 LINES
WITH 5mm TEXT



3 LINES
WITH 5mm TEXT

DUTY LABEL SPECIFICATIONS

ISSUE	MOD No.	INITIAL/DATE
1		INTRODUCTION MM 28-02-24

TABLE 1

LINES	TEXT HEIGHT	TOTAL NO. OF CHARACTERS
ONE LINE	14	4
	10	5
	8	6 - 10
	6	11 - 13
TWO LINES	5	14 - 16
	8	UP TO 20
	6	UP TO 26
THREE LINES	5	UP TO 32
	5	UP TO 48

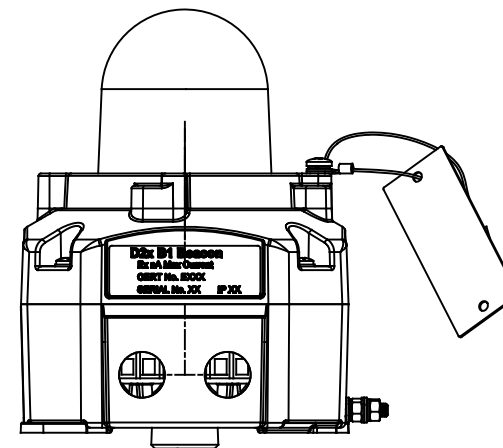
FONT: ARIAL
 TEXT SIZE: SEE TABLE 1
 METHOD OF MARKING: LASER ETCHED WITH BLACK TEXT
 PLATE MATERIAL: GRADE 316 STAINLESS STEEL, 1mm THICK
 ATTACHMENT: NYLON COATED STAINLESS STEEL WIRE
 POSITION: SEE DIAGRAMS BELOW

NOTE 1: CHARACTER LIMIT INCLUDES SPACES
 NOTE 2: TEXT HEIGHT WILL BE PRIORITISED FOR LABEL CONTENTS WHERE POSSIBLE
 DISCLAIMER: UNLESS OTHERWISE SPECIFIED, LABEL CONTENTS WILL BE SIZED FOR BEST FIT AS DEEMED APPROPRIATE BY E2S

DUTY LABEL POSITION

BEACONS

CRIMPED TO A FASTENER SCREWED TO THE UNIT



D2XB1...

DRAWING TO BS8888:2000
 GEOMETRIC TOLERANCES TO ISO1101:1983
 LINEAR DIMENSIONAL TOLS +/-0.35mm
 ANGULAR DIMENSIONAL TOLS +/-2 deg

DRAWN DATE 28-02-24
 M.MUSU
 CHECKED DATE 28-02-24
 R.N.POTTS
 APPROVED DATE 28-02-24
 R.N.POTTS

SURFACE FINISH WEIGHT (Kg)
 MATERIAL
 SEE NOTE
 ALTERNATIVE MATERIAL

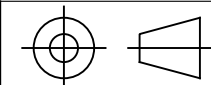
THIS DRAWING AND ANY INFORMATION OR DESCRIPTIVE MATTER THEREIN IS COMMUNICATED IN CONFIDENCE AND IS THE COPYRIGHT PROPERTY OF EUROPEAN SAFETY SYSTEMS LTD. NEITHER THE WHOLE OR ANY EXTRACT MAY BE DISCLOSED, LOANED, COPIED OR USED FOR MANUFACTURING OR TENDERING PURPOSES WITHOUT THEIR WRITTEN CONSENT.

© EUROPEAN SAFETY SYSTEMS LTD.
 AS PER LATEST DATE OF ISSUE SHOWN ABOVE



EUROPEAN SAFETY SYSTEMS LTD
 IMPRESS HOUSE
 MANSELL ROAD
 ACTON
 LONDON W3 7QH
 WWW.E2S.COM

ALL DIMENSIONS IN MM
 IF IN DOUBT, ASK -
 DO NOT SCALE



A3

TITLE DUTY LABEL SPECIFICATION DRAWING FOR BEACON

SCALE 1:1 SHEET 1 of 1 DRAWING NUMBER D254-00-061