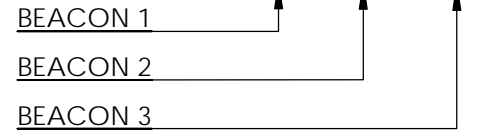
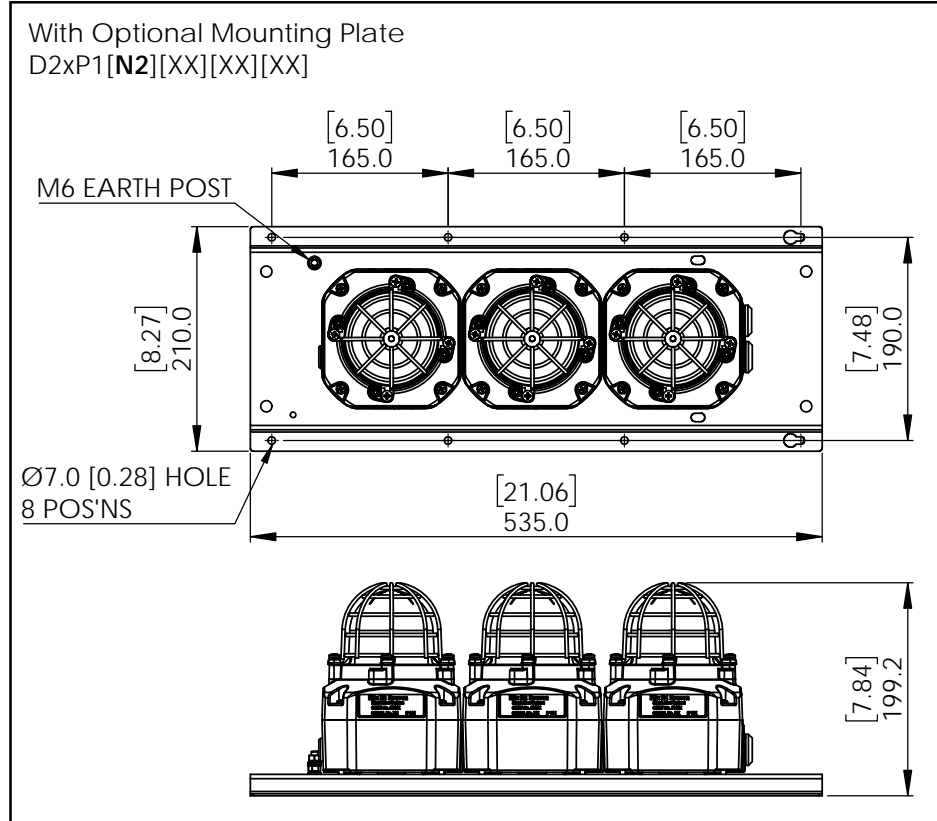


**E2S PART NO**  
**D2xP1[N1][XX][XX][XX]**



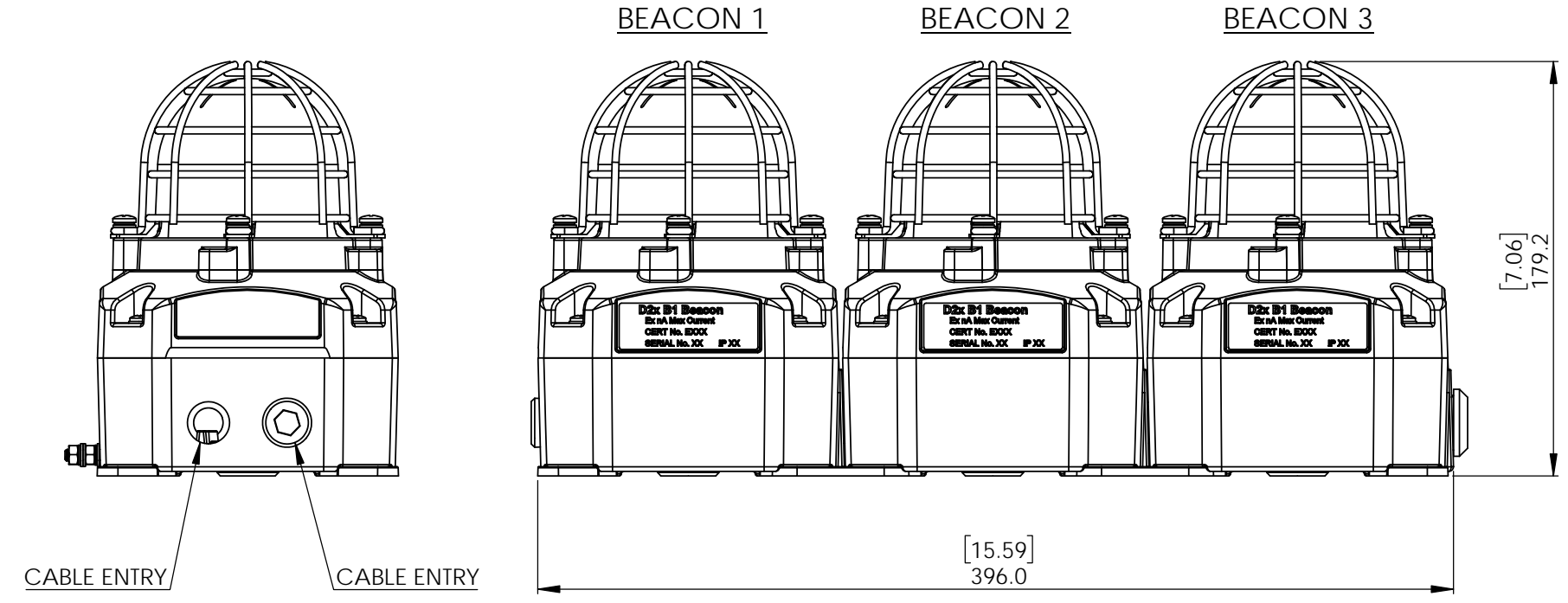
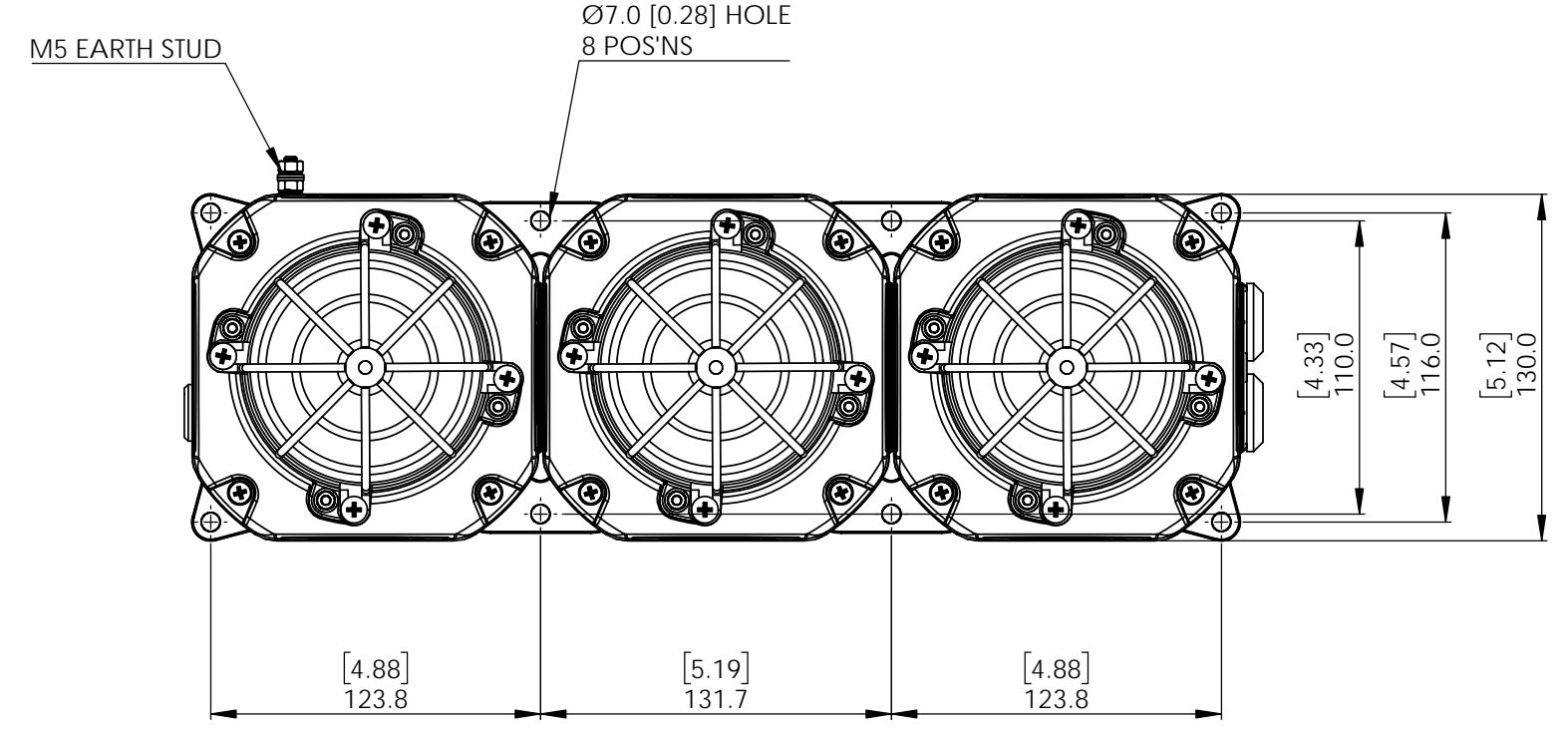
- Code Options
- D2xP1 Stack Type
  - N1 Without Junction Box (N1) / With Junction Box (J1)
  - N2 Plated without J'Box (N2) / With Plate & J'Box (J2)
  - [XX] Beacon Type



**DESCRIPTION**  
**D2xP1 STACK - 3 BEACONS**

**DATA REFERENCE**  
**1-35-010**

ISSUE	MOD No.	REASON - INITIAL - DATE
1		INTRODUCTION DAH - 04/04/19
2		LABEL NOTES ADDED MM 31-07-2023



NOTE:  
 FOR TAG PLATE SEE DRAWING D254-00-111  
 FOR OPTIONAL DUTY LABEL, GUARD/TAG MATERIAL OPTION [3] SEE DRAWING D254-00-031  
 FOR OPTIONAL DUTY LABEL, GUARD/TAG MATERIAL OPTION [5] SEE DRAWING D254-00-001

**DIMENSIONS IN MM & [INCHES]**

DRAWING TO BS8888:2000 GEOMETRIC TOLERANCES TO ISO1101:1983 LINEAR DIMENSIONAL TOLS ANGULAR DIMENSIONAL TOLS	DRAWN	DATE	SURFACE FINISH FINISH	WEIGHT (Kg)	THIS DRAWING AND ANY INFORMATION OR DESCRIPTIVE MATTER THEREIN IS COMMUNICATED IN CONFIDENCE AND IS THE COPYRIGHT PROPERTY OF EUROPEAN SAFETY SYSTEMS LTD. NEITHER THE WHOLE OR ANY EXTRACT MAY BE DISCLOSED, LOANED, COPIED OR USED FOR MANUFACTURING OR TENDERING PURPOSES WITHOUT THEIR WRITTEN CONSENT.	 EUROPEAN SAFETY SYSTEMS LTD IMPRESS HOUSE MANSELL ROAD ACTON LONDON W3 7QH WWW.E2S.COM	ALL DIMENSIONS IN MM IF IN DOUBT, ASK - DO NOT SCALE			<b>A2</b>
	CHECKED	DATE					MATERIAL	TITLE <b>D2xP1 STACK - 3 BEACONS</b> OUTLINE DRAWING		
	STANDARDS	APPROVED	DATE	ALTERNATIVE MATERIAL				SCALE	SHEET	DRAWING NUMBER
	D.HOWGILL	04/04/19			 EUROPEAN SAFETY SYSTEMS LTD. AS PER LATEST DATE OF ISSUE SHOWN ABOVE		1:2	1 OF 1	D215-05-130	