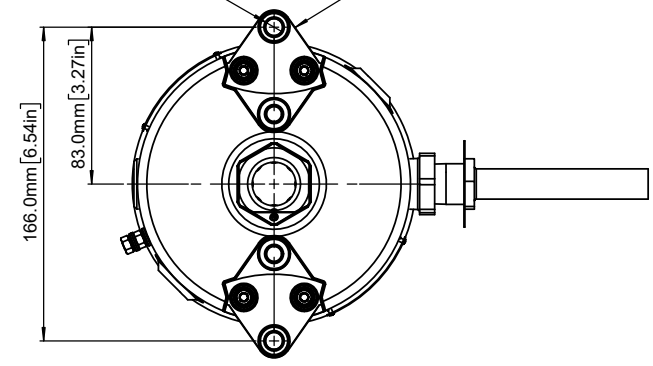
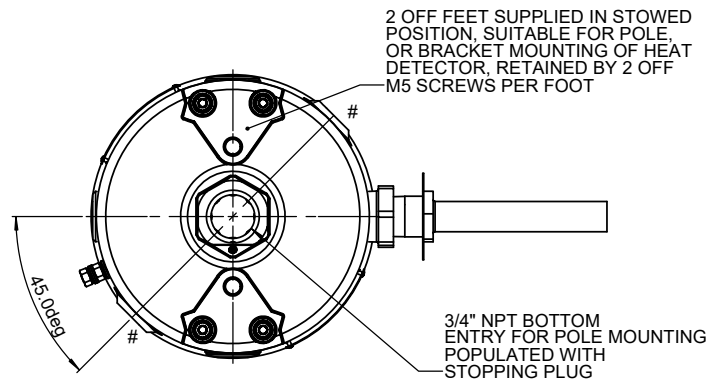
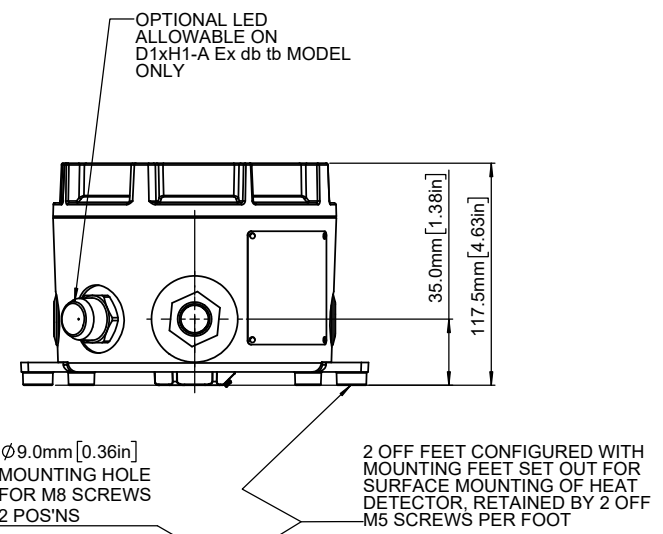
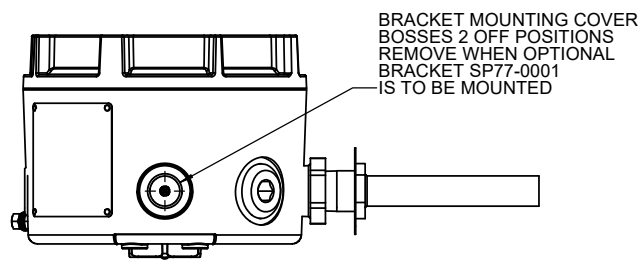
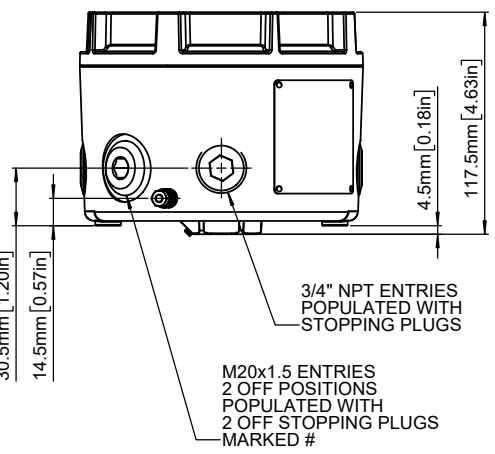
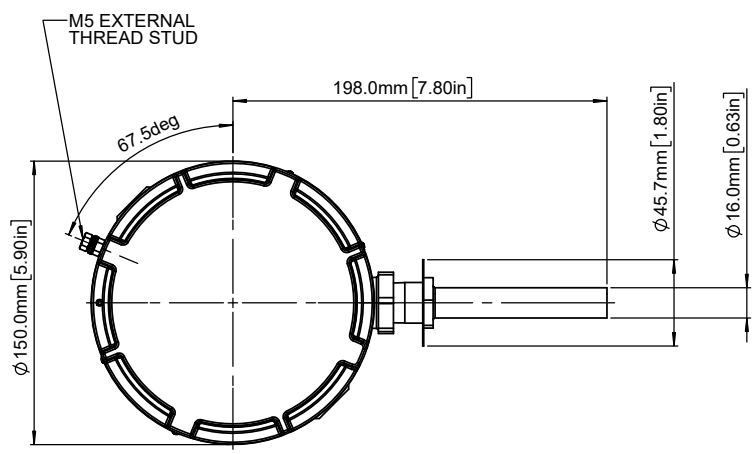
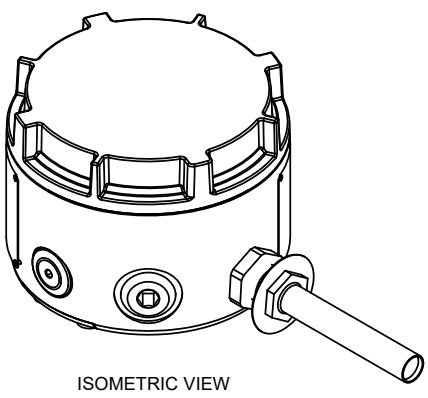


ISSUE	MOD No.	REASON - INITIAL - DATE
1		INTRODUCTION RNP 10-05-2024

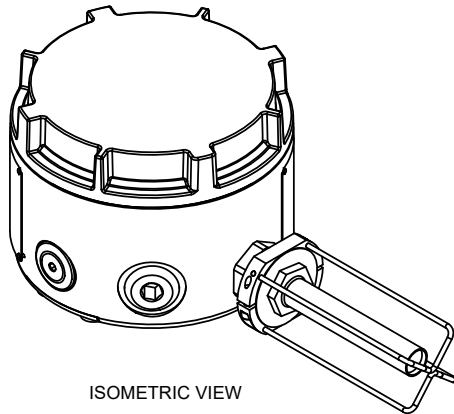


E2S PART No.	DESCRIPTION	DATA REFERENCE
D1xH1	D1xH1 HEAT DETECTOR	1-27-010

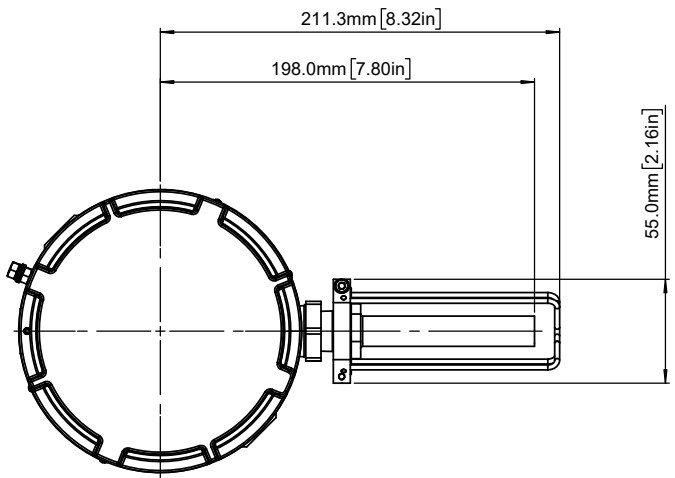
NOTE:-
FOR OPTIONAL DUTY LABEL SEE DRAWING D254-00-081
FOR OPTION TAG PLATE SEE DRAWING D254-00-151

DRAWING TO BS8888:2000 GEOMETRIC TOLERANCES TO ISO1101:1983 LINEAR DIMENSIONAL TOLS ANGULAR DIMENSIONAL TOLS	DRAWN	DATE	SURFACE FINISH	WEIGHT (kg)	THIS DRAWING AND ANY INFORMATION OR DESCRIPTIVE MATTER THEREIN IS COMMUNICATED IN CONFIDENCE AND IS THE COPYRIGHT PROPERTY OF EUROPEAN SAFETY SYSTEMS LTD. NEITHER THE WHOLE OR ANY EXTRACT MAY BE DISCLOSED, LOANED, COPIED OR USED FOR MANUFACTURING OR TENDERING PURPOSES WITHOUT THEIR WRITTEN CONSENT.	 EUROPEAN SAFETY SYSTEMS LTD IMPRESS HOUSE MANSELL ROAD ACTON LONDON W3 7QH WWW.E2S.COM	ALL DIMENSIONS IN MM IF IN DOUBT, ASK - DO NOT SCALE		A2	
	CHECKED	DATE								MATERIAL
	APPROVED	DATE								ALTERNATIVE MATERIAL
STANDARDS	D1xH1	R.N.POTTS	10-05-2024	R.RAIT	10-05-2024	R.N.POTTS	10-05-2024			
EUROPEAN SAFETY SYSTEMS LTD. AS PER LATEST DATE OF ISSUE SHOWN ABOVE						TITLE D1xH1 HEAT DETECTOR - OUTLINE DRAWING		SCALE	SHEET	DRAWING NUMBER
								1:1	1 OF 2	D255-05-001

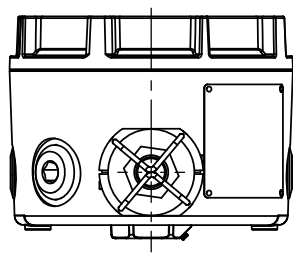
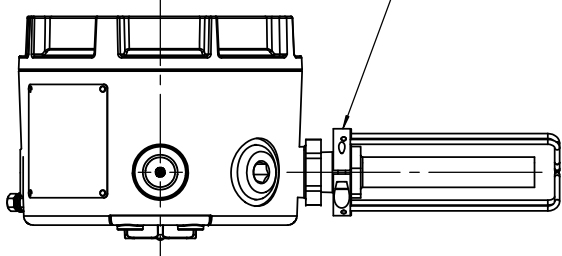
ISSUE	MOD No.	REASON - INITIAL - DATE
1		INTRODUCTION RNP 10-05-2024



ISOMETRIC VIEW



OPTIONAL HEAT DETECTOR GUARD
SHOWN FITTED
PART CODE GUARD OPTION [g] = G



E2S PART No.	DESCRIPTION	DATA REFERENCE
D1xH1	D1xH1 HEAT DETECTOR	1-27-010

NOTE:-
FOR OPTIONAL DUTY LABEL SEE DRAWING D254-00-081
FOR OPTION TAG PLATE SEE DRAWING D254-00-151

DRAWING TO BS8888:2000 GEOMETRIC TOLERANCES TO ISO1101:1983 LINEAR DIMENSIONAL TOLS ANGULAR DIMENSIONAL TOLS	DRAWN R.N.POTTS	DATE 10-05-2024	SURFACE FINISH	WEIGHT (Kg)	THIS DRAWING AND ANY INFORMATION OR DESCRIPTIVE MATTER THEREIN IS COMMUNICATED IN CONFIDENCE AND IS THE COPYRIGHT PROPERTY OF EUROPEAN SAFETY SYSTEMS LTD. NEITHER THE WHOLE OR ANY EXTRACT MAY BE DISCLOSED, LOANED, COPIED OR USED FOR MANUFACTURING OR TENDERING PURPOSES WITHOUT THEIR WRITTEN CONSENT. EUROPEAN SAFETY SYSTEMS LTD. AS PER LATEST DATE OF ISSUE SHOWN ABOVE	 EUROPEAN SAFETY SYSTEMS LTD IMPRESS HOUSE MANSELL ROAD ACTON LONDON W3 7QH WWW.E2S.COM	ALL DIMENSIONS IN MM IF IN DOUBT, ASK - DO NOT SCALE	 A2
	CHECKED R.RAIT	DATE 10-05-2024	MATERIAL	TITLE D1xH1 HEAT DETECTOR - OUTLINE DRAWING				
	STANDARDS D1xH1	APPROVED R.N.POTTS	DATE 10-05-2024	ALTERNATIVE MATERIAL			SCALE 1:1	