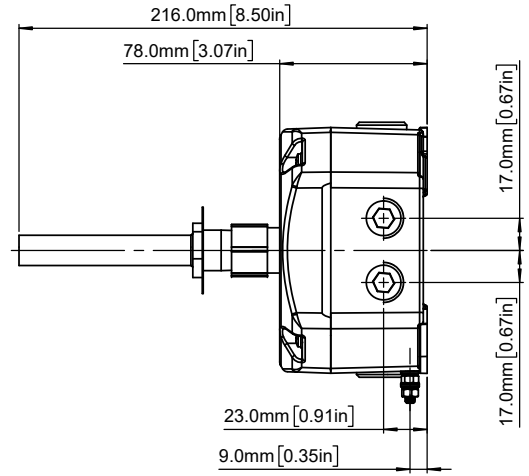
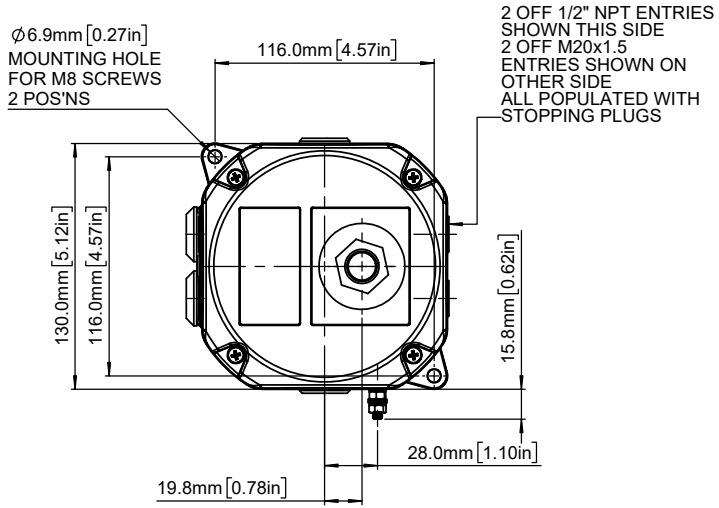


E2S PART No. D2xH1 DESCRIPTION D2xH1 HEAT DETECTOR DATA REFERENCE 1-27-040

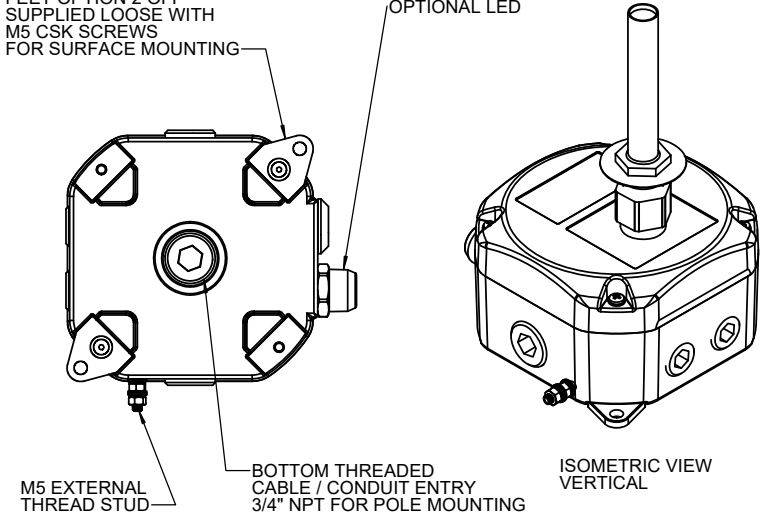
ISSUE	MOD No.	REASON - INITIAL - DATE
1		INTRODUCTION RNP 10-05-2024

NOTE:-
FOR OPTIONAL DUTY LABEL SEE DRAWING D254-00-081
FOR OPTION TAG PLATE SEE DRAWING D254-00-151

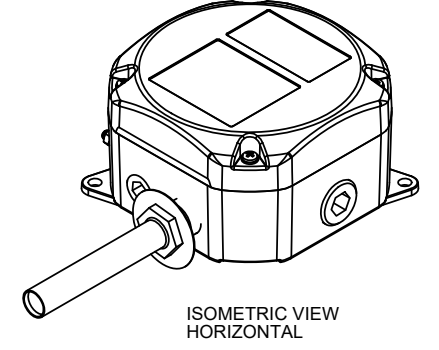
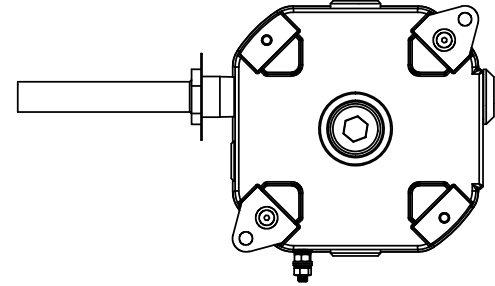
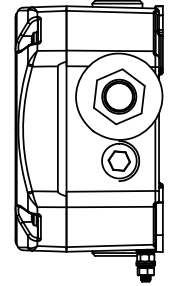
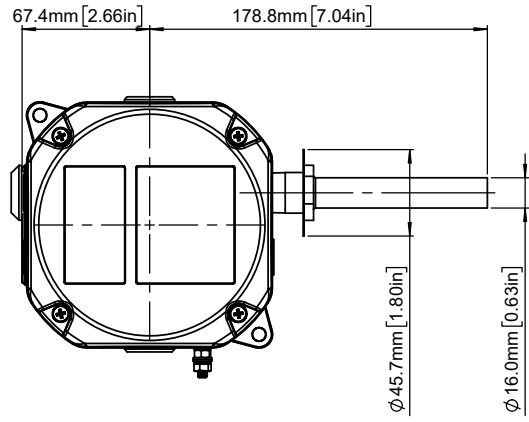
HEAT DETECTOR MOUNTED AS VERTICAL OPTION



FEET OPTION 2 OFF SUPPLIED LOOSE WITH M5 CSK SCREWS FOR SURFACE MOUNTING



HEAT DETECTOR MOUNTED AS HORIZONTAL OPTION



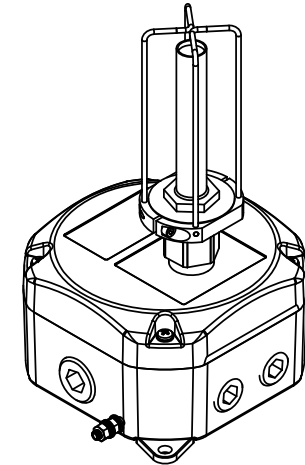
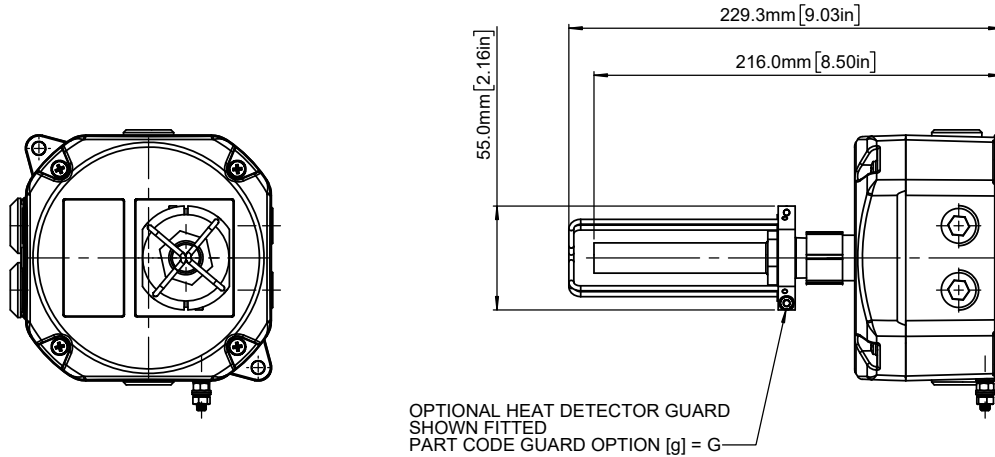
DRAWING TO BS8888:2000 GEOMETRIC TOLERANCES TO ISO1101:1983 LINEAR DIMENSIONAL TOLS ANGULAR DIMENSIONAL TOLS	DRAWN R.N.POTTS	DATE 10-05-2024	SURFACE FINISH	WEIGHT (kg)	THIS DRAWING AND ANY INFORMATION OR DESCRIPTIVE MATTER THEREIN IS COMMUNICATED IN CONFIDENCE AND IS THE COPYRIGHT PROPERTY OF EUROPEAN SAFETY SYSTEMS LTD. NEITHER THE WHOLE OR ANY EXTRACT MAY BE DISCLOSED, LOANED, COPIED OR USED FOR MANUFACTURING OR TENDERING PURPOSES WITHOUT THEIR WRITTEN CONSENT. EUROPEAN SAFETY SYSTEMS LTD. AS PER LATEST DATE OF ISSUE SHOWN ABOVE	 EUROPEAN SAFETY SYSTEMS LTD IMPRESS HOUSE MANSELL ROAD ACTON LONDON W3 7QH WWW.E2S.COM	ALL DIMENSIONS IN MM IF IN DOUBT, ASK - DO NOT SCALE	 A2
	CHECKED R.RAIT	DATE 10-05-2024	MATERIAL	TITLE D2xH1 HEAT DETECTOR - OUTLINE DRAWING				
	STANDARDS D2xH1	APPROVED R.N.POTTS	DATE 10-05-2024	ALTERNATIVE MATERIAL			SCALE 1:1	

E2S PART No. D2xH1 DESCRIPTION D2xH1 HEAT DETECTOR DATA REFERENCE 1-27-040

ISSUE	MOD No.	REASON - INITIAL - DATE
1		INTRODUCTION RNP 10-05-2024

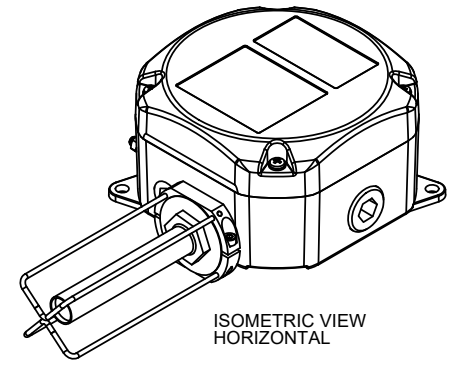
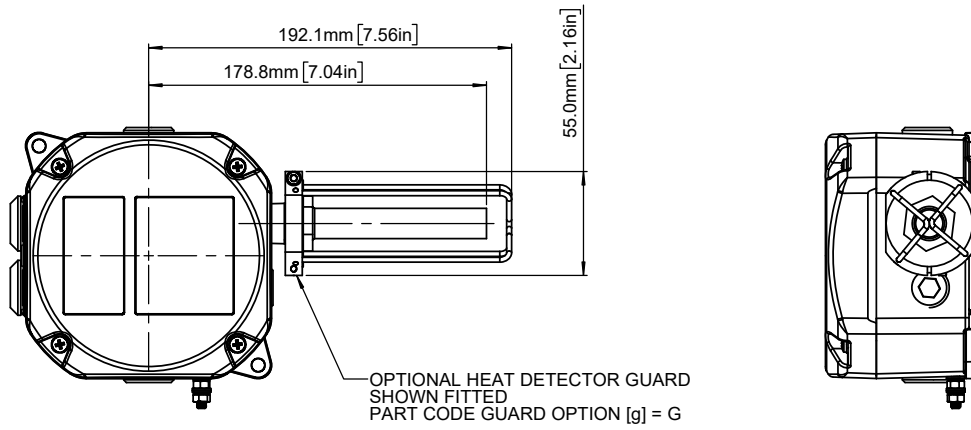
NOTE:-
FOR OPTIONAL DUTY LABEL SEE DRAWING D254-00-081
FOR OPTION TAG PLATE SEE DRAWING D254-00-151

HEAT DETECTOR MOUNTED AS VERTICAL OPTION



ISOMETRIC VIEW VERTICAL

HEAT DETECTOR MOUNTED AS HORIZONTAL OPTION



ISOMETRIC VIEW HORIZONTAL

DRAWING TO BS8888:2000 GEOMETRIC TOLERANCES TO ISO1101:1983 LINEAR DIMENSIONAL TOLS ANGULAR DIMENSIONAL TOLS	DRAWN R.N.POTTS	DATE 10-05-2024	SURFACE FINISH	WEIGHT (kg)	THIS DRAWING AND ANY INFORMATION OR DESCRIPTIVE MATTER THEREIN IS COMMUNICATED IN CONFIDENCE AND IS THE COPYRIGHT PROPERTY OF EUROPEAN SAFETY SYSTEMS LTD. NEITHER THE WHOLE OR ANY EXTRACT MAY BE DISCLOSED, LOANED, COPIED OR USED FOR MANUFACTURING OR TENDERING PURPOSES WITHOUT THEIR WRITTEN CONSENT.	 EUROPEAN SAFETY SYSTEMS LTD IMPRESS HOUSE MANSELL ROAD ACTON LONDON W3 7QH WWW.E2S.COM	ALL DIMENSIONS IN MM IF IN DOUBT, ASK - DO NOT SCALE			A2	
	CHECKED R.RAIT	DATE 10-05-2024					MATERIAL				TITLE D2xH1 HEAT DETECTOR - OUTLINE DRAWING
	STANDARDS D2xH1	APPROVED R.N.POTTS					DATE 10-05-2024				ALTERNATIVE MATERIAL