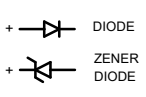


HEAT DETECTOR DEVICES

SHEET 1

PRODUCTS: D1xH1 ; STExH1	Diagram	Sheet
	Standard Switch Wiring Configurations	1
	LED Indicator Wiring Configurations, Use for -IR units only)	2

NOTE :
ALL Ex ia CIRCUITS REQUIRE THE USE OF ZENER BARRIERS OR GALVANIC ISOLATORS, SEE PRODUCT MANUAL

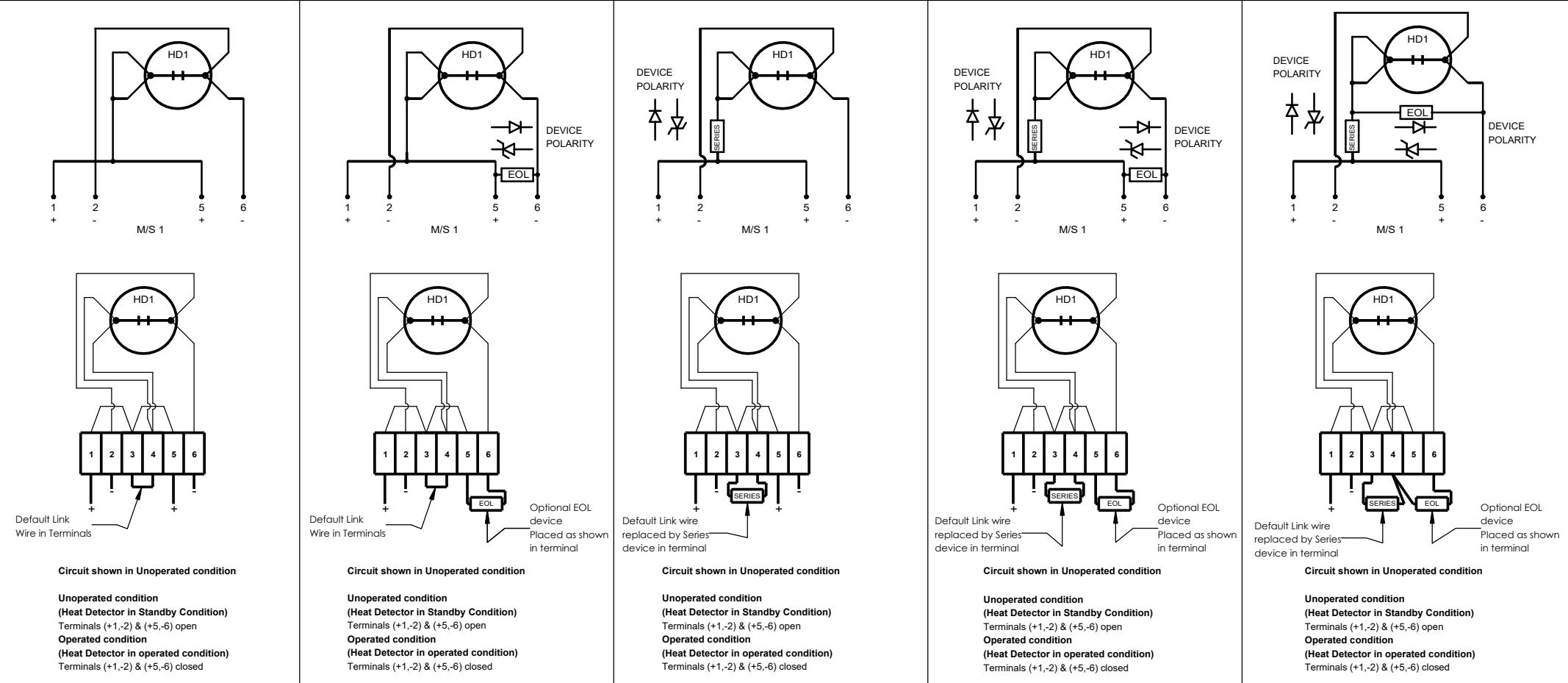


Module Device Codes		
	EOL	Series
Resistor	ExxxR	SxxxR
Diode	ED1	SD1
Zener Diode	ExxxZ	SxxxZ
LED	N/A	L or C

ISSUE	MOD No.	REASON - INITIAL - DATE
1		INTRODUCTION RNP 31-05-2024

HEAT DETECTOR	CONFIG. A1-1	HEAT DETECTOR WITH EOL DEVICE	CONFIG. A1-2	HEAT DETECTOR WITH SERIES DEVICES	CONFIG. A1-3	HEAT DETECTOR WITH EOL & SERIES DEVICES	CONFIG. A1-4	HEAT DETECTOR WITH EOL & ALT. SERIES DEVICES	CONFIG. A1-5
---------------	--------------	-------------------------------	--------------	-----------------------------------	--------------	---	--------------	--	--------------

PRODUCT VERSION [v]	[I]	Ex ia	PRODUCT VERSION [v]	[R]	Ex ia (-IR)	PRODUCT VERSION [v]	[R]	Ex ia (-IR)	PRODUCT VERSION [v]	[R]	Ex ia (-IR)
PRODUCT OPTION [o]	[1]	Default	PRODUCT OPTION [o]	[1]	Default	PRODUCT OPTION [o]	[1]	Default	PRODUCT OPTION [o]	[W]	Alt. EOL Pos'n.
LED INDICATOR [u]	[N]	N/A	LED INDICATOR [u]	[N]	NO LED	LED INDICATOR [u]	[N]	NO LED	LED INDICATOR [u]	[N]	NO LED
			SERIES MODULE [e]	[Exxxx]	EOL	SERIES MODULE [s]	[Sxxxx]	Series	MODULE [e][s]	[Exxxx]	EOL + Series
									MODULE [e][s]	[Sxxxx]	EOL + Series



DRAWING TO BS8888:2000
 GEOMETRIC TOLERANCES TO ISO1101:1983
 LINEAR DIMENSIONAL TOLS
 ANGULAR DIMENSIONAL TOLS

STANDARDS
 GNExH1-I ; GNExH1-IR ;
 D2xH1-I ; D2xH1-IR

DRAWN	DATE
R.N.POTTS	31-05-2024
CHECKED	DATE
B.ISARD	31-05-2024
APPROVED	DATE
R.N.POTTS	31-05-2024

SURFACE FINISH	WEIGHT (Kg)
MATERIAL	
ALTERNATIVE MATERIAL	

THIS DRAWING AND ANY INFORMATION OR DESCRIPTIVE MATTER THEREIN IS COMMUNICATED IN CONFIDENCE AND IS THE COPYRIGHT PROPERTY OF EUROPEAN SAFETY SYSTEMS LTD. NEITHER THE WHOLE OR ANY EXTRACT MAY BE DISCLOSED, LOANED, COPIED OR USED FOR MANUFACTURING OR TENDERING PURPOSES WITHOUT THEIR WRITTEN CONSENT.

EUROPEAN SAFETY SYSTEMS LTD.
 AS PER LATEST DATE OF ISSUE SHOWN ABOVE

EUROPEAN SAFETY SYSTEMS LTD
 IMPRESS HOUSE
 MANSSELL ROAD
 ACTON
 LONDON W3 7QH
 WWW.E2S.COM

ALL DIMENSIONS IN MM IF IN DOUBT, ASK - DO NOT SCALE				A3
TITLE GNExH1-I & -IR ; D2xH1-I & -IR Ex ia HEAT DETECTOR WIRING / CIRCUIT OPERATION DIAGRAM				
SCALE	SHEET	DRAWING NUMBER		
NTS	1 OF 2	D255-06-251		

HEAT DETECTOR WITH LED DEVICES

SHEET 2

NOTE :
ALL Ex ia CIRCUITS REQUIRE THE USE OF ZENER BARRIERS OR GALVANIC ISOLATORS, SEE PRODUCT MANUAL

Notes:

- LED option 'L': LED contains the 1.5K Ohm series current-limiting resistor RL1.
 LED option 'C': LED does not contain a current-limiting resistor. System current must be <20mA.
 All schematic diagrams below show option 'L' LED - remove RL1 for 'C' LED option.

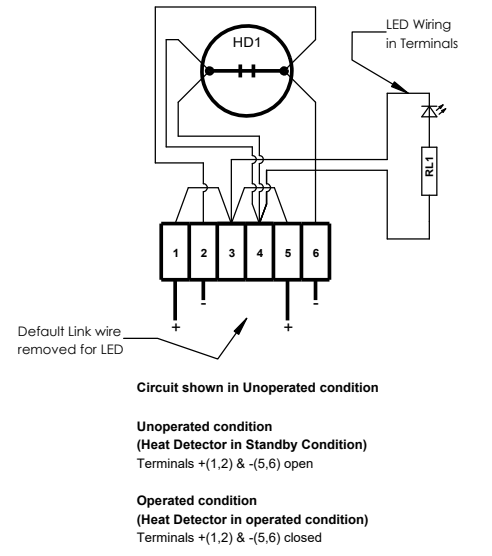
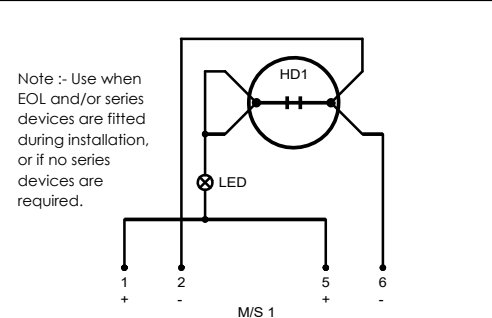
Module Device Codes

	EOL	Series
Resistor	ExxxR	SxxxR
Diode	ED1	SD1
Zener Diode	ExxxZ	SxxxZ
LED	N/A	L or C

ISSUE	MOD No.	REASON - INITIAL - DATE
1		INTRODUCTION RNP 31-05-2024

HEAT DETECTOR WITH LED ONLY	CONFIG. A2-1	HEAT DETECTOR WITH LED & EOL DEVICE	CONFIG. A2-2	HEAT DETECTOR WITH LED EOL & SERIES DEVICES	CONFIG. A2-3	HEAT DETECTOR WITH LED, EOL & ALT. SERIES DEVICE	CONFIG. A2-4
-----------------------------	--------------	-------------------------------------	--------------	---	--------------	--	--------------

PRODUCT VERSION [v]	[R]	Ex ia (-IR only)	[R]	Ex ia (-IR Only)	[R]	Ex ia (-IR only)	[R]	Ex ia (-IR only)
PRODUCT OPTION [o]	[1]	Default	[1]	Default	[1]	Default	[W]	Alt. EOL Pos'n.
LED INDICATOR [u]	[L]	LED with RL1	[L]	LED with RL1	[L]	LED with RL1	[L]	LED with RL1
MODULE [e]	[Exxxx]	EOL Device	[Exxxx]	EOL Device	[Exxxx][Sxxxx]	EOL + Series	[Exxxx][Sxxxx]	EOL + Series



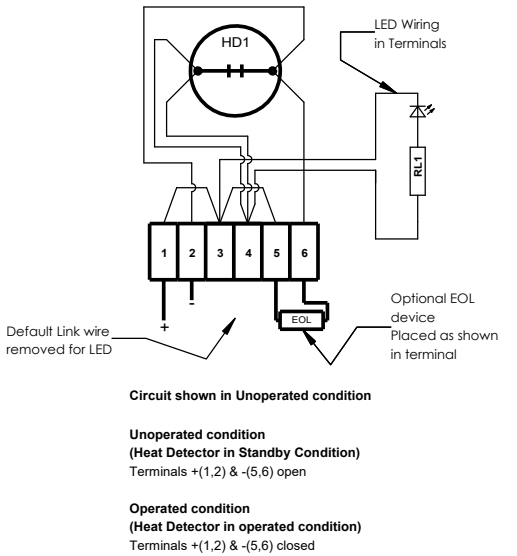
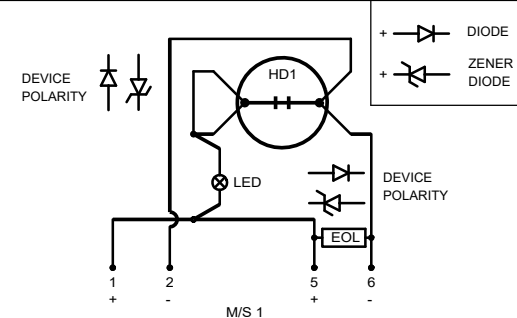
DRAWING TO BS8888:2000
 GEOMETRIC TOLERANCES TO ISO1101:1983
 LINEAR DIMENSIONAL TOLS
 ANGULAR DIMENSIONAL TOLS

DRAWN R.N.POTTS DATE 31-05-2024

CHECKED B.ISARD DATE 31-05-2024

APPROVED R.N.POTTS DATE 31-05-2024

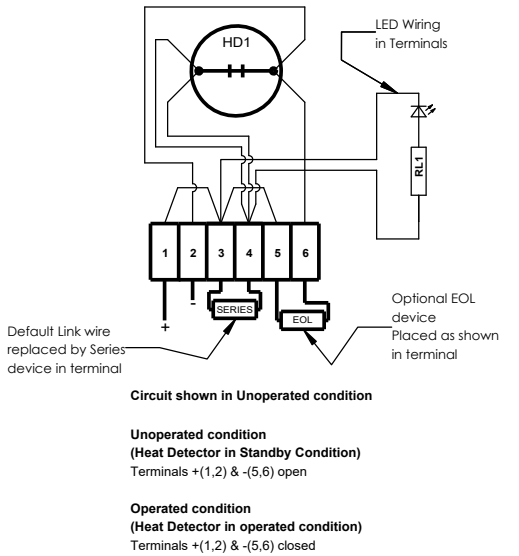
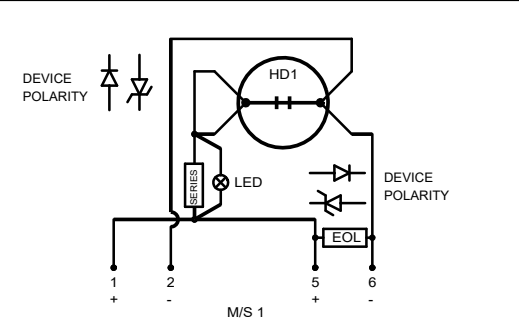
STANDARDS
 GNExH1-IR ;
 D2xH1-IR



SURFACE FINISH WEIGHT (Kg)

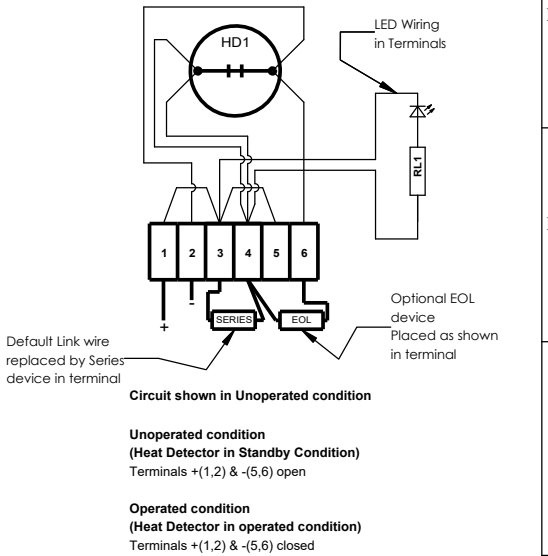
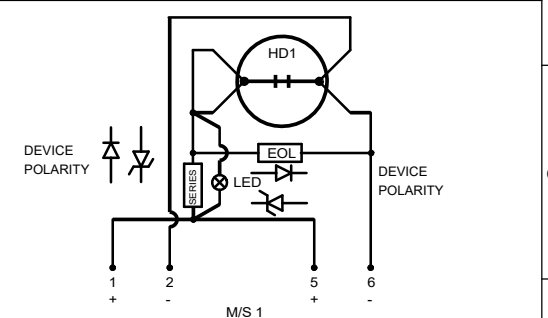
MATERIAL

ALTERNATIVE MATERIAL



THIS DRAWING AND ANY INFORMATION OR DESCRIPTIVE MATTER THEREIN IS COMMUNICATED IN CONFIDENCE AND IS THE COPYRIGHT PROPERTY OF EUROPEAN SAFETY SYSTEMS LTD. NEITHER THE WHOLE OR ANY EXTRACT MAY BE DISCLOSED, LOANED, COPIED OR USED FOR MANUFACTURING OR TENDERING PURPOSES WITHOUT THEIR WRITTEN CONSENT.

EUROPEAN SAFETY SYSTEMS LTD.
 AS PER LATEST DATE OF ISSUE SHOWN ABOVE



ALL DIMENSIONS IN MM
 IF IN DOUBT, ASK - DO NOT SCALE

EUROPEAN SAFETY SYSTEMS LTD
 IMPRESS HOUSE
 MANSELL ROAD
 ACTON
 LONDON W3 7QH
 WWW.E2S.COM

TITLE
GNExH1-I & -IR ; D2xH1-I & -IR Ex ia HEAT DETECTOR WIRING / CIRCUIT OPERATION DIAGRAM

SCALE NTS SHEET 2 OF 2 DRAWING NUMBER **D255-06-251**