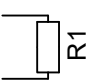
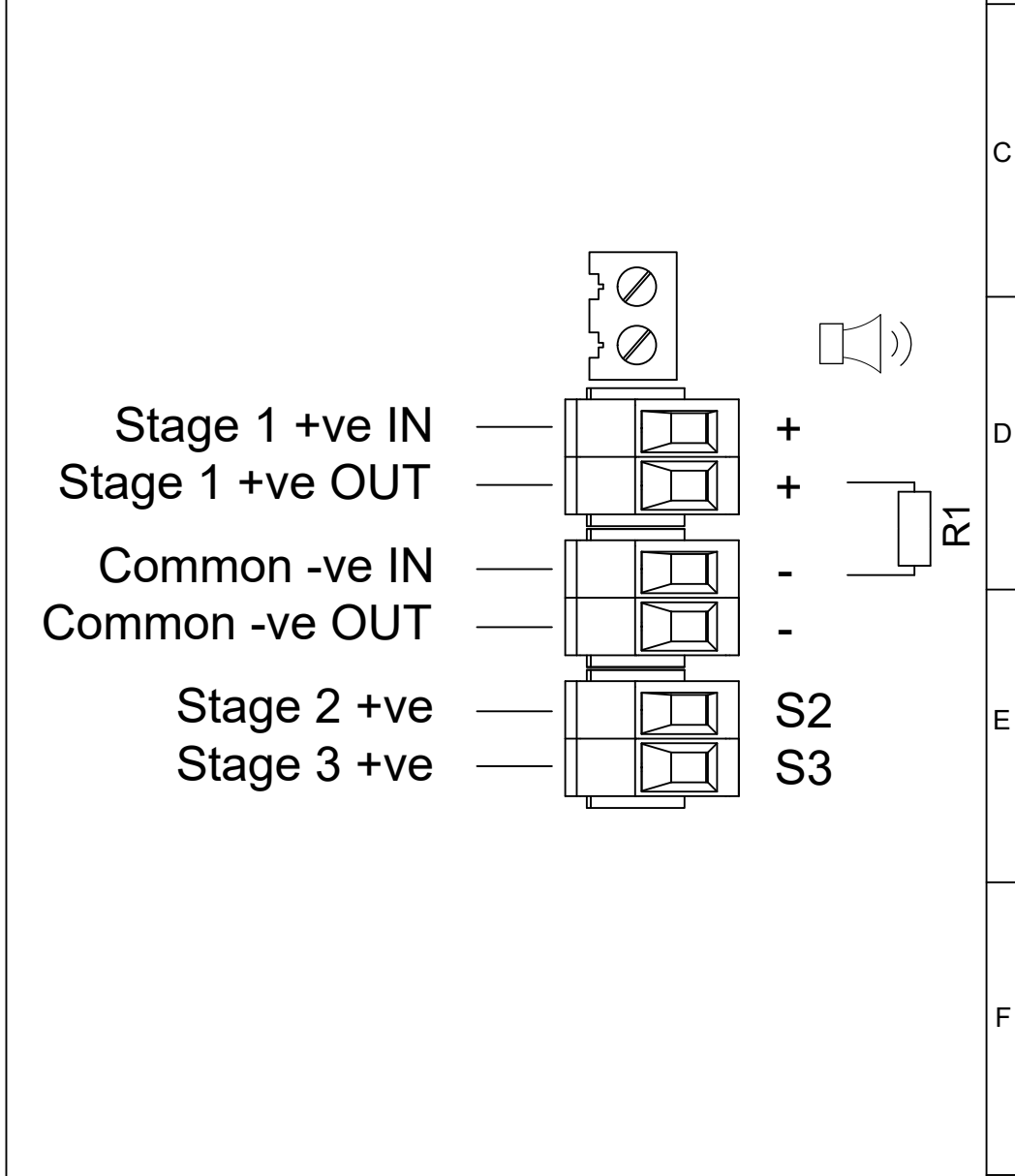
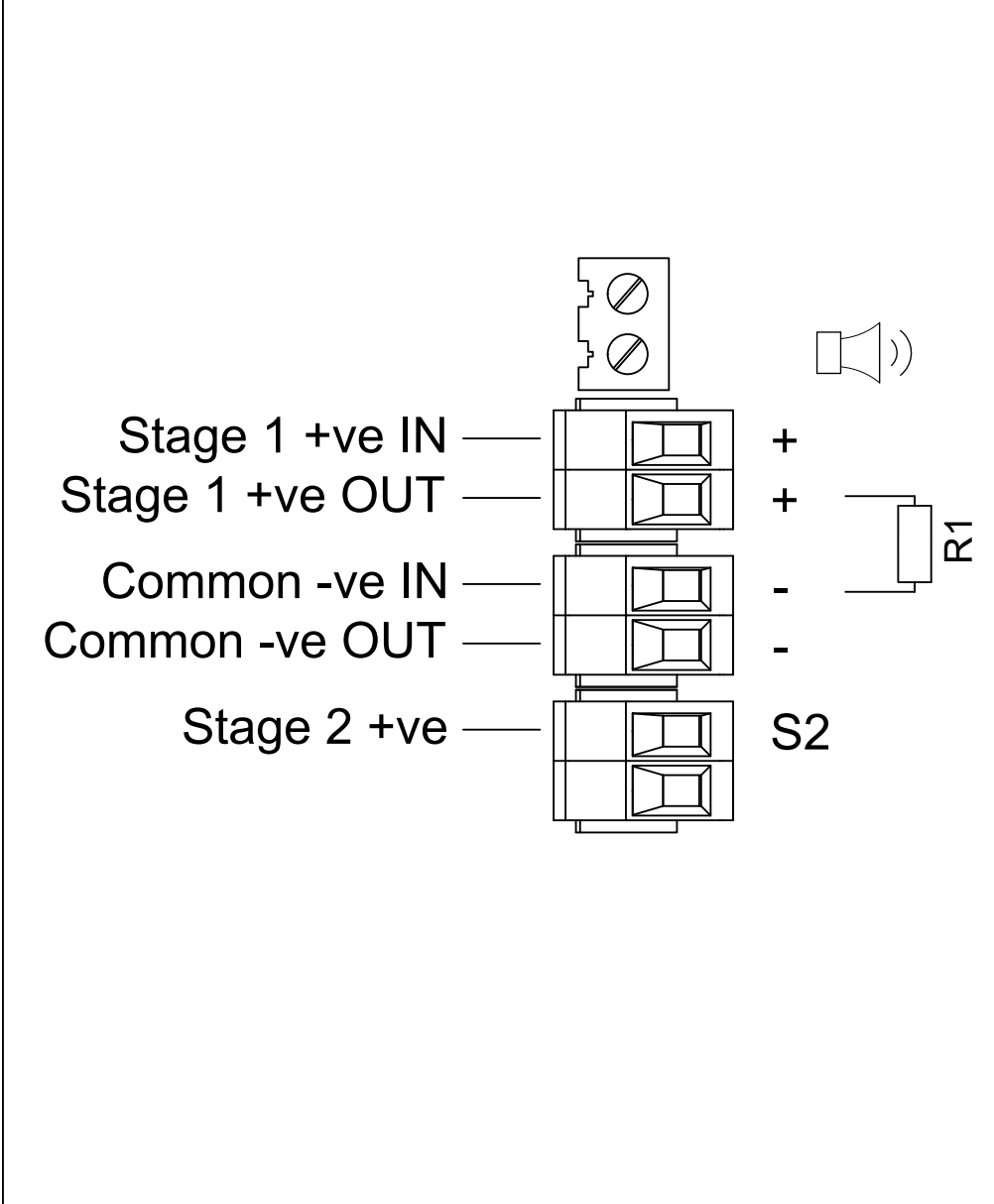
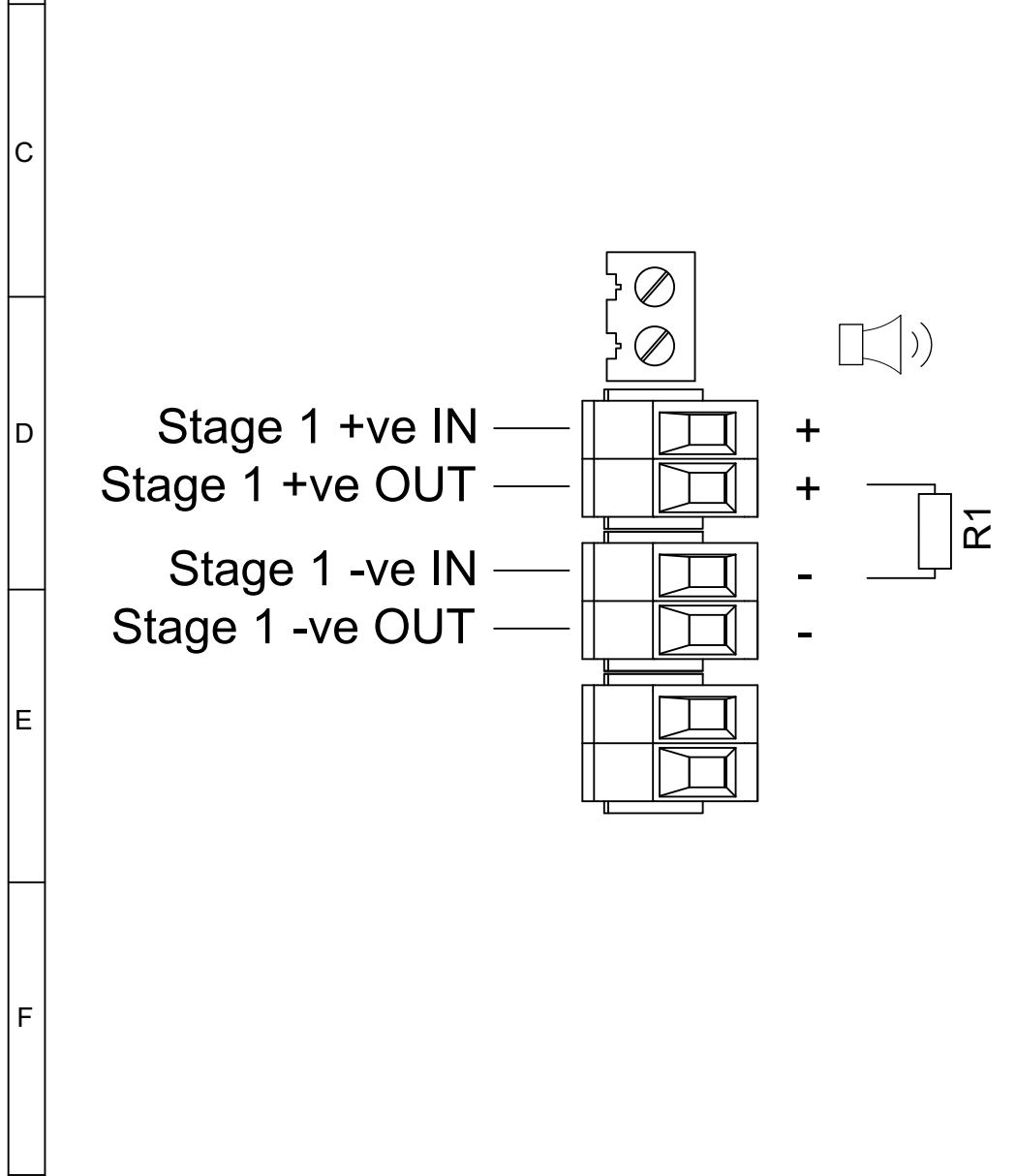



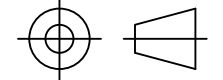
| | | | | | | | | | |
|---|---|---|---|---|---|---|-------|---------|--|
| 1 | 2 | 3 | 4 | 5 | 6 | 7 | 8 | 9 | 10 |
| | | | | | | | ISSUE | MOD No. | REASON - INITIAL - DATE |
| | | | | | | | 1 | | INTRODUCTION RSR - 19/01/2022 |
| | | | | | | | 2 | ACN0141 | EOL VALUES AMENDED RSR - 20/12/2023 |
| | | | | | | | 3 | ACN0153 | OPTIONS Y & V MONITORING DETAILS RSR - 06/06/2024 |

OPTIONAL LINE MONITORING RESISTOR, CUSTOMER SUPPLIED,
MINIMUM EOL RESISTOR VALUES
500Ω MIN AT 2W MIN OR 3.3KΩ MIN AT 0.5W MIN

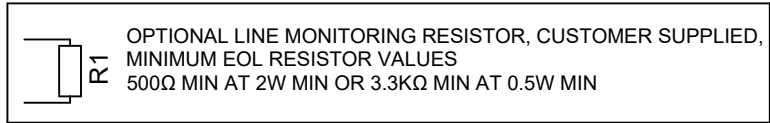


| | | | | | |
|--|-------------|--|-------------|---|-------------|
| Single Stage Configuration | Config.: 1a | Two Stage Configuration | Config.: 1b | Three/Four Stage Configuration | Config.: 1c |
| Line Monitoring Set to positive switching (default) | | Common Negative Set to positive switching (default) | | Common Negative Set to positive switching (default) | |
| Stage 1: Apply Power to Stage 1 +ve & Stage 1 -ve | | Stage 1: Apply Power to Stage 1 +ve & Common -ve Stage 2: Apply Power to Stage 2 +ve & Common -ve | | Stage 1: Apply Power to Stage 1 +ve & Common -ve Stage 2: Apply Power to Stage 2 +ve & Common -ve Stage 3: Apply Power to Stage 3 +ve & Common -ve Stage 4: Apply Power to Stage 2 +ve, Stage 3 +ve & Common -ve | |



| | | | | | | | | | |
|---|-----------|------------|----------------------|---|---|--|----------------------|---|----|
| DRAWING TO BS8888:2000 GEOMETRIC TOLERANCES TO ISO1101:1983 LINEAR DIMENSIONAL TOLS ANGULAR DIMENSIONAL TOLS | DRAWN | DATE | SURFACE FINISH | WEIGHT (Kg) | THIS DRAWING AND ANY INFORMATION OR DESCRIPTIVE MATTER THEREIN IS COMMUNICATED IN CONFIDENCE AND IS THE COPYRIGHT PROPERTY OF EUROPEAN SAFETY SYSTEMS LTD. NEITHER THE WHOLE OR ANY EXTRACT MAY BE DISCLOSED, LOANED, COPIED OR USED FOR MANUFACTURING OR TENDERING PURPOSES WITHOUT THEIR WRITTEN CONSENT. |  EUROPEAN SAFETY SYSTEMS LTD IMPRESS HOUSE MANSELL ROAD ACTON LONDON W3 7QH WWW.E2S.COM | ALL DIMENSIONS IN MM |  | A3 |
| | R.S.RAIT | 19/01/2022 | | | | | MATERIAL | | |
| | CHECKED | DATE | ALTERNATIVE MATERIAL | TITLE D1xS1 / D1xS2 / GNExS1 / GNExS2 / STExS1 / STExS2 DC SOUNDER WIRING DIAGRAMS | | | | | |
| | B.ISARD | 19/01/2022 | | SCALE | | | SHEET | DRAWING NUMBER | |
| STANDARDS | APPROVED | DATE | | | NTS | 1 OF 3 | D190-06-001 | | |
| D1x | R.N.POTTS | 19/01/2022 | | | | | | | |

| | | | | | | | | | |
|---|---|---|---|---|---|---|-------|---------|--|
| 1 | 2 | 3 | 4 | 5 | 6 | 7 | 8 | 9 | 10 |
| | | | | | | | ISSUE | MOD No. | REASON - INITIAL - DATE |
| | | | | | | | 1 | | INTRODUCTION RSR - 19/01/2022 |
| | | | | | | | 2 | ACN0141 | EOL VALUES AMENDED RSR - 20/12/2023 |
| | | | | | | | 3 | ACN0153 | OPTIONS Y & V MONITORING DETAILS RSR - 06/06/2024 |

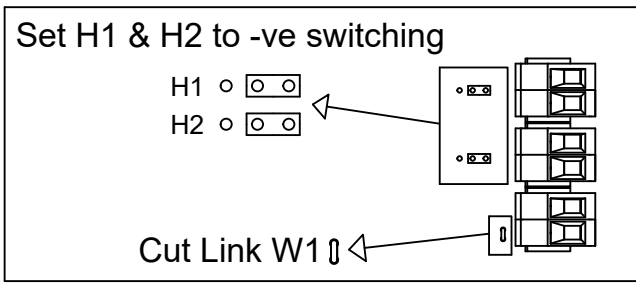
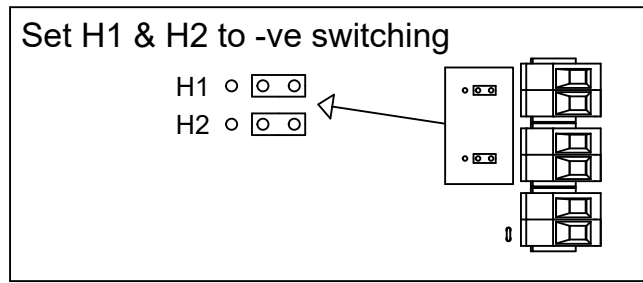
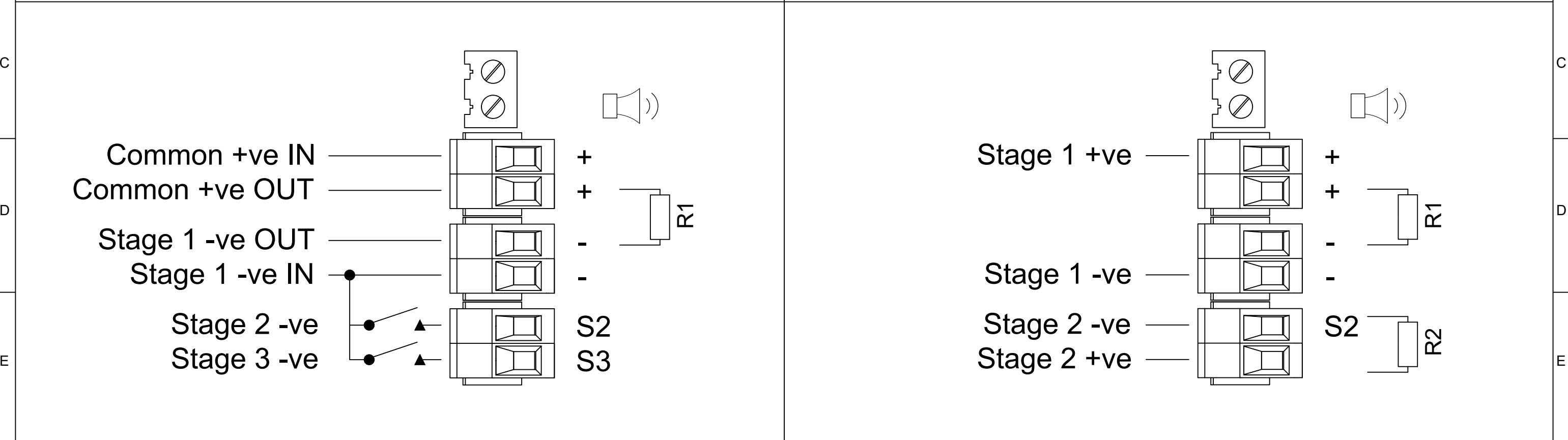


Three/Four Stages. Voltage Free 2nd, 3rd & 4th Stage Activation Configuration Config.: 2 Two Stage Configuration Config.: 3

Common Positive Independent Stage Input
 Customer Set H1 & H2 to Negative Switching (See Below) Reverse Polarity Stage Monitoring

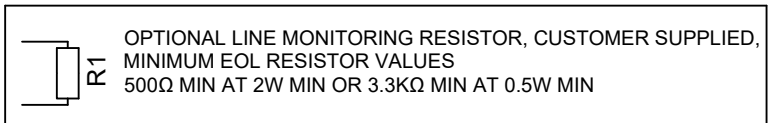
Stage 1: Apply Power to Common +ve & Stage 1 -ve
 Stage 2: Apply Power to Common +ve & Stage 1 -ve & connect Stage 2 -ve to Stage 1 -ve
 Stage 3: Apply Power to Common +ve & Stage 1 -ve & connect Stage 3 -ve to Stage 1 -ve
 Stage 4: Apply Power to Common +ve & Stage 1 -ve
 & connect Stage 2 -ve & Stage 3 -ve to Stage 1 -ve

Stage 1: Apply Power to Stage 1 +ve & Stage 1 -ve
 Stage 2: Apply Power to Stage 1 +ve & Stage 1 -ve & connect Stage 2 -ve to Stage 1 -ve



| | | | | | | | | | |
|---|-----------|------------|----------------------|--|---|---|----------------------|----------------|----|
| DRAWING TO BS8888:2000 GEOMETRIC TOLERANCES TO ISO1101:1983 LINEAR DIMENSIONAL TOLS ANGULAR DIMENSIONAL TOLS | DRAWN | DATE | SURFACE FINISH | WEIGHT (Kg) | THIS DRAWING AND ANY INFORMATION OR DESCRIPTIVE MATTER THEREIN IS COMMUNICATED IN CONFIDENCE AND IS THE COPYRIGHT PROPERTY OF EUROPEAN SAFETY SYSTEMS LTD. NEITHER THE WHOLE OR ANY EXTRACT MAY BE DISCLOSED, LOANED, COPIED OR USED FOR MANUFACTURING OR TENDERING PURPOSES WITHOUT THEIR WRITTEN CONSENT. | EUROPEAN SAFETY SYSTEMS LTD IMPRESS HOUSE MANSELL ROAD ACTON LONDON W3 7QH WWW.E2S.COM | ALL DIMENSIONS IN MM | | A3 |
| | R.S.RAIT | 19/01/2022 | | | | | MATERIAL | | |
| | CHECKED | DATE | ALTERNATIVE MATERIAL | TITLE D1xS1 / D1xS2 / GNExS1 / GNExS2 / STExS1 / STExS2 DC SOUNDER WIRING DIAGRAMS | | | | | |
| | B.ISARD | 19/01/2022 | | SCALE | | | SHEET | DRAWING NUMBER | |
| STANDARDS | APPROVED | DATE | | | NTS | 2 OF 3 | D190-06-001 | | |
| D1x | R.N.POTTS | 19/01/2022 | | | | | | | |

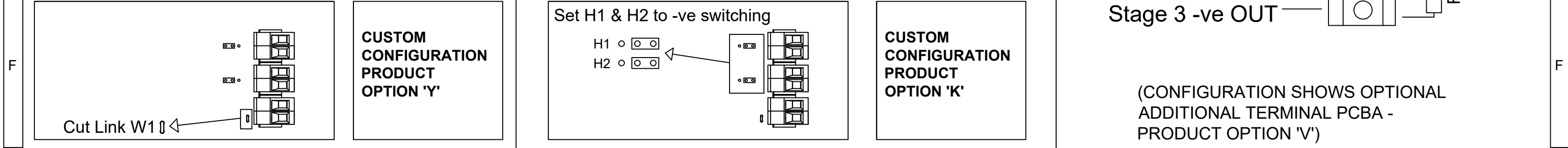
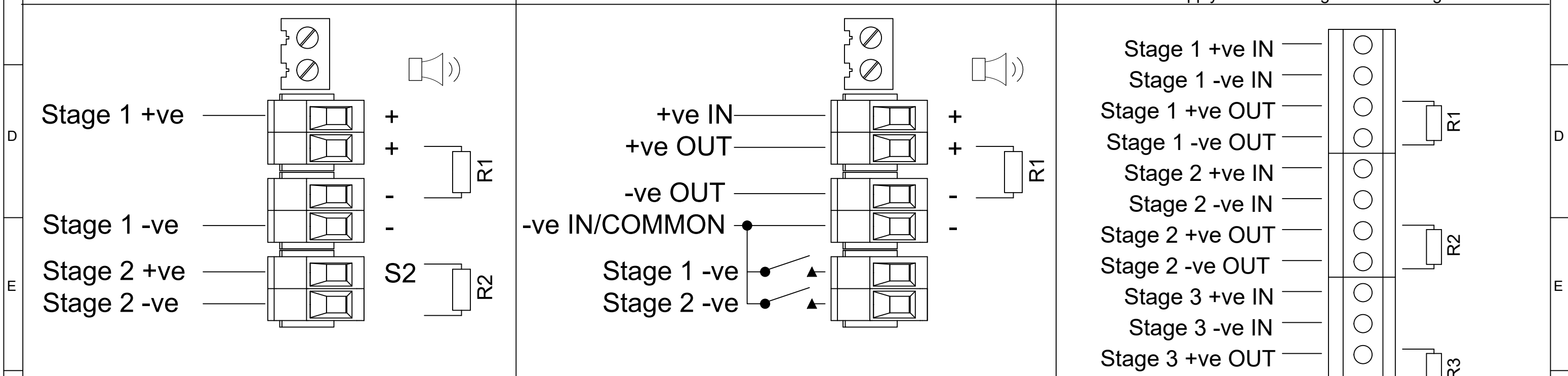
| | | | | | | | | | |
|---|---|---|---|---|---|---|-------|---------|--|
| 1 | 2 | 3 | 4 | 5 | 6 | 7 | 8 | 9 | 10 |
| | | | | | | | ISSUE | MOD No. | REASON - INITIAL - DATE |
| | | | | | | | 1 | | INTRODUCTION RSR - 19/01/2022 |
| | | | | | | | 2 | ACN0141 | EOL VALUES AMENDED RSR - 20/12/2023 |
| | | | | | | | 3 | ACN0153 | OPTIONS Y & V MONITORING DETAILS RSR - 06/06/2024 |



| | | | | | | | | | | | |
|-------------------------|--|--|------------|---|--|--|------------|--------------------------------|--|--|------------|
| Two Stage Configuration | | | Config.: 4 | Two/Three Stage Voltage Free Activation Configuration | | | Config.: 5 | Three/Four Stage Configuration | | | Config.: 6 |
|-------------------------|--|--|------------|---|--|--|------------|--------------------------------|--|--|------------|

| | | | | | | | | | | | |
|---|--|--|--|--|--|--|--|--|--|--|--|
| Independent power input for alarm stage activation. Line monitoring available for Stage 1 & 2 alarm stage. Line monitoring requires common negative between each power input. Line monitoring maximum voltage: 4Vdc. Not to be used for reverse polarity line monitoring. | | | | Customer Set H1 & H2 to Negative Switching (See Below) | | | | Independent power input for alarm stage activation. Line monitoring available for Stage 1, 2 & 3 alarm stage. Line monitoring requires common negative between each power input. Line monitoring maximum voltage: 4Vdc. Not to be used for reverse polarity line monitoring. | | | |
|---|--|--|--|--|--|--|--|--|--|--|--|

| | | | | | | | | | | | |
|--|--|--|--|---|--|--|--|---|--|--|--|
| Stage 1: Apply Power to Stage 1 +ve & Stage 1 -ve Stage 2: Apply Power to Stage 2 +ve & Stage 2 -ve | | | | Power: +ve & -ve Stage 1: Connect Stage 1 -ve to Common -ve Stage 2: Connect Stage 2 -ve to Common -ve Stage 3: Connect both Stage 1 -ve & Stage 2 -ve to Common -ve | | | | Stage 1: Apply Power to Stage 1 +ve & Stage 1 -ve Stage 2: Apply Power to Stage 2 +ve & Stage 2 -ve Stage 3: Apply Power to Stage 3 +ve & Stage 3 -ve Stage 4: Apply Power to Stage 2 +ve & Stage 2 -ve & Apply Power to Stage 3 +ve & Stage 3 -ve | | | |
|--|--|--|--|---|--|--|--|---|--|--|--|



| | | | | | | | | | | |
|---|-----------|------------|----------------------|-------------|---|---|--|----------------|--|----|
| DRAWING TO BS8888:2000 GEOMETRIC TOLERANCES TO ISO1101:1983 LINEAR DIMENSIONAL TOLS ANGULAR DIMENSIONAL TOLS | DRAWN | DATE | SURFACE FINISH | WEIGHT (Kg) | THIS DRAWING AND ANY INFORMATION OR DESCRIPTIVE MATTER THEREIN IS COMMUNICATED IN CONFIDENCE AND IS THE COPYRIGHT PROPERTY OF EUROPEAN SAFETY SYSTEMS LTD. NEITHER THE WHOLE OR ANY EXTRACT MAY BE DISCLOSED, LOANED, COPIED OR USED FOR MANUFACTURING OR TENDERING PURPOSES WITHOUT THEIR WRITTEN CONSENT. | EUROPEAN SAFETY SYSTEMS LTD IMPRESS HOUSE MANSELL ROAD ACTON LONDON W3 7QH WWW.E2S.COM | ALL DIMENSIONS IN MM IF IN DOUBT, ASK - DO NOT SCALE | | | A3 |
| | R.S.RAIT | 19/01/2022 | | | | | TITLE | | | |
| | CHECKED | DATE | ALTERNATIVE MATERIAL | SCALE | | | SHEET | DRAWING NUMBER | | |
| | B.ISARD | 19/01/2022 | | NTS | | | 3 OF 3 | D190-06-001 | | |
| STANDARDS | APPROVED | DATE | | | | | | | | |
| D1x | R.N.POTTS | 19/01/2022 | | | | | | | | |