

ISSUE	MOD No.	REASON - INITIAL - DATE
1		INTRODUCTION RSR 02-01-2020
2		UPDATED FORMAT DH 17-05-2022

OPTIONAL LINE MONITORING RESISTOR, CUSTOMER SUPPLIED,  
REQUIRED MINIMUM VALUES:  
24VDC : 1KΩ MIN, 2W MIN OR 3K9Ω MIN, 0.5W MIN  
48VDC : 3.9KΩ MIN, 2W MIN OR 15KΩ MIN, 0.5W MIN

----- WIRING LINKING BEACON & SOUNDER  
FACTORY FITTED

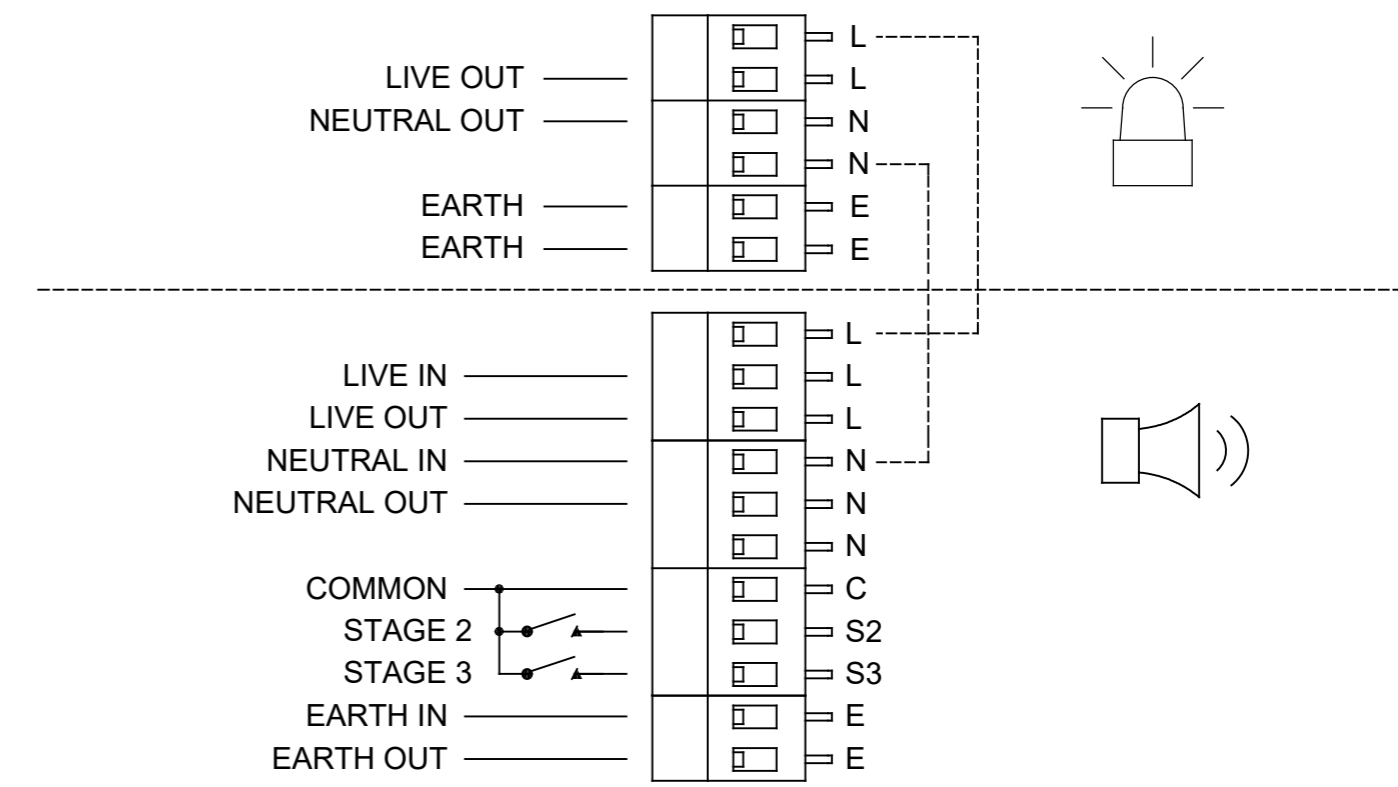
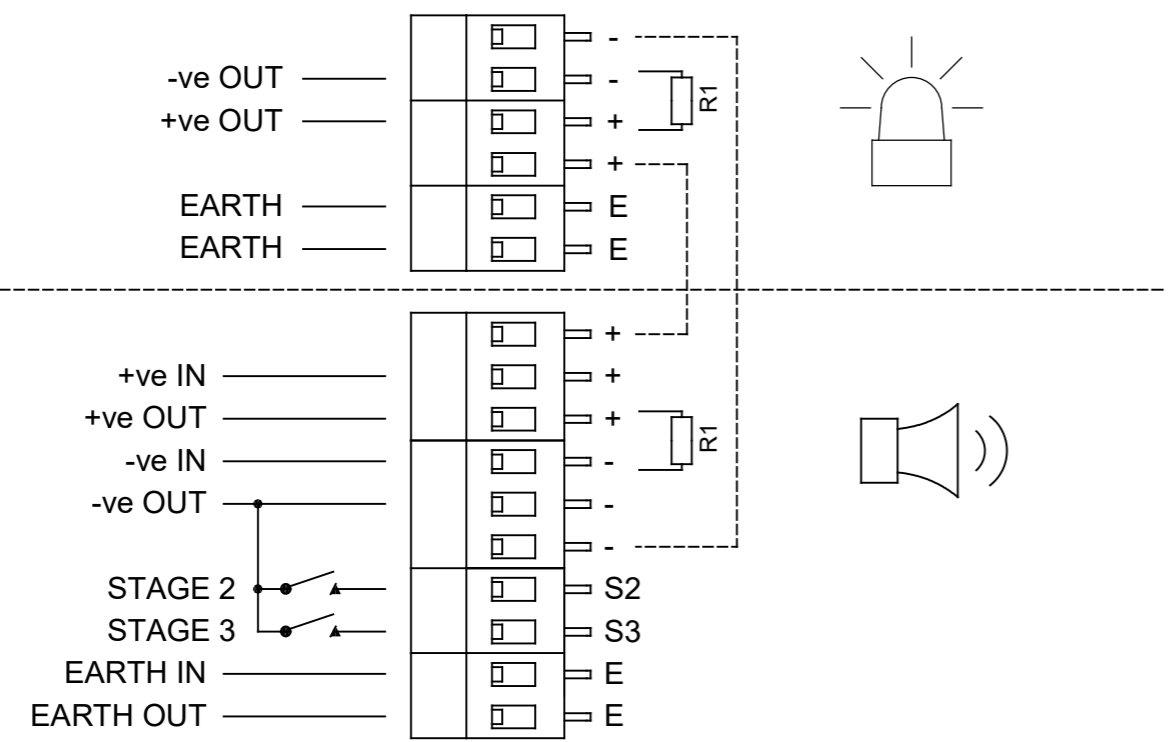
TO OPERATE SOUNDER AND BEACON  
INDEPENDENTLY, REMOVE FACTORY  
FITTED WIRES LINKING THE UNITS

**DC D2XC2X05 / D2XC2X10 UNITS**

**Line Monitoring**  
 Stage 1: Apply power to Sounder +ve & -ve  
 Stage 2: Apply power to Sounder +ve & -ve. Connect Stage 2 to -ve  
 Stage 3: Apply power to Sounder +ve & -ve. Connect Stage 3 to -ve  
 Stage 4: Apply power to Sounder +ve & -ve. Connect Stage 2 and Stage 3 to -ve

**AC D2XC2X05 / D2XC2X10 UNITS**

**Power: Live & Neutral**  
 Stage 1: Apply power to Sounder L & N  
 Stage 2: Apply power to Sounder L & N. Connect Stage 2 to Common  
 Stage 3: Apply power to Sounder L & N. Connect Stage 3 to Common  
 Stage 4: Apply power to Sounder L & N. Connect Stage 2 and Stage 3 to Common



DRAWING TO BS8888:2000  
 GEOMETRIC TOLERANCES TO ISO1101:1983  
 LINEAR DIMENSIONAL TOLS +/-0.35mm  
 ANGULAR DIMENSIONAL TOLS +/-2 deg  
 STANDARDS  
 D2x

DRAWN	R.S. RAIT	DATE	27-06-2019
CHECKED	B. ISARD	DATE	27-06-2019
APPROVED	R.N.POTTS	DATE	27-06-2019

SURFACE FINISH	WEIGHT (Kg)
MATERIAL	
ALTERNATIVE MATERIAL	

THIS DRAWING AND ANY INFORMATION OR DESCRIPTIVE  
 MATTER THEREIN IS COMMUNICATED IN CONFIDENCE AND IS  
 THE COPYRIGHT PROPERTY OF EUROPEAN SAFETY SYSTEMS  
 LTD. NEITHER THE WHOLE OR ANY EXTRACT MAY BE  
 DISCLOSED, LOANED, COPIED OR USED FOR MANUFACTURING  
 OR TENDERING PURPOSES WITHOUT THEIR WRITTEN  
 CONSENT.  
 © EUROPEAN SAFETY SYSTEMS LTD.  
 AS PER LATEST DATE OF ISSUE SHOWN ABOVE

**e2s**  
 warning signals  
 EUROPEAN SAFETY SYSTEMS LTD  
 IMPRESS HOUSE  
 MANSELL ROAD  
 ACTON  
 LONDON W3 7QH  
 WWW.E2S.COM

ALL DIMENSIONS IN MM IF IN DOUBT, ASK - DO NOT SCALE		
TITLE D2xC2X05 & D2xC2X10 COMBINED BEACON & SOUNDER WIRING DIAGRAM		
SCALE NTS	SHEET 1 OF 1	DRAWING NUMBER D211-06-601